

TREE REMOVALS

STREET NAME	ADDRESS	QTY.
BAY STATE ROAD	77	1
CHILTON STREET	19	1
CHILTON STREET	118	1
CHILTON STREET	149	1
CONCORD AVENUE	330	1
CONCORD AVENUE	331	1
CONCORD AVENUE	342	1
CONCORD AVENUE	350-352	1
CONCORD AVENUE	419	1
CONCORD AVENUE	450	1
FAYERWEATHER STREET	187	1

STUMP REMOVALS

STREET NAME	ADDRESS	QTY.
FAYERWEATHER STREET	127-129	1
FAYERWEATHER STREET	131	1
FAYERWEATHER STREET	139	1
FAYERWEATHER STREET	171	1
FAYERWEATHER STREET	172	1
FAYERWEATHER STREET	206	1
HAZEL STREET	16	1
WALDEN STREET	305	1
TOTAL		8

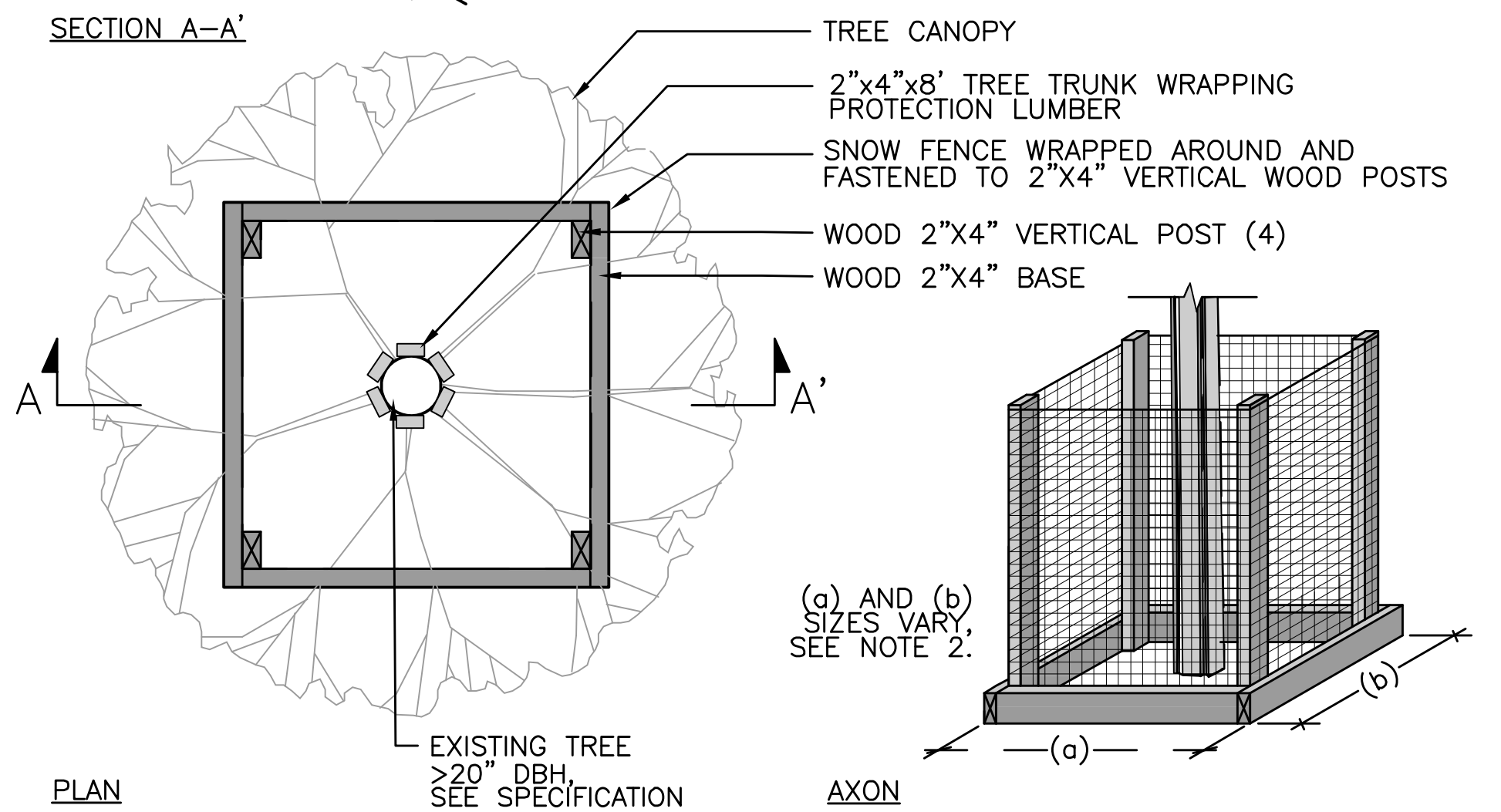
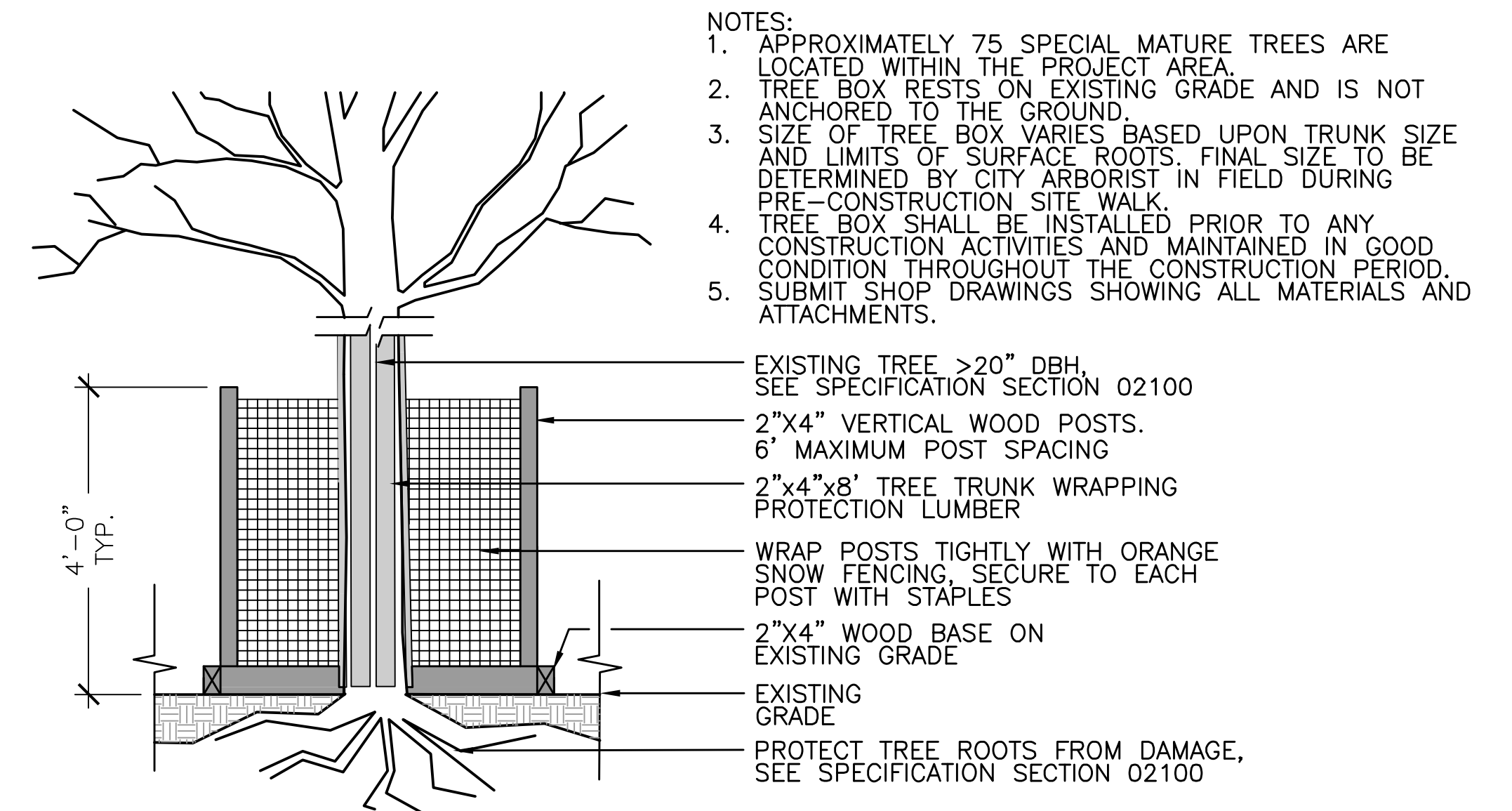
STREET NAME	ADDRESS	QTY.
FIELD STREET	1	1
FIELD STREET	15-17	1
GARDEN STREET	214	1
GARDEN STREET	218 (ON HAZEL)	1
SAVILLE STREET	43	1
WALDEN STREET	302-304	1
WALDEN STREET	312-314	1
WALDEN STREET	325	1
WALDEN STREET	328	1
WALDEN STREET	333-335	1
WALDEN STREET	338-340	1
TOTAL		22

TREE AND STUMP REMOVAL SCHEDULE



PLOTTED: 1/17/2014 12:46 PM BY: mshaw.kad
 LAYOUT: CL-1
 CAD FILE: P:\Projects - Active\10092.03 Concord_Ave_Contract_C31_Project_Execution\Reference Data\CAD_CL_1.dwg

TREE AND STUMP REMOVAL PLAN
SCALE: 1" = 150'-0"



1 TREE BOX FOR SPECIAL MATURE TREES
SCALE: NTS

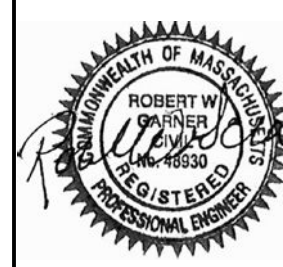
LEGEND

- S** STUMP TO BE REMOVED
- X** TREE TO BE REMOVED

NOTE: CONTRACTOR TO CONFIRM REMOVAL LOCATIONS ON SITE WALK WITH CITY ARBORIST AND OWNER'S REPRESENTATIVE PRIOR TO START OF CONSTRUCTION



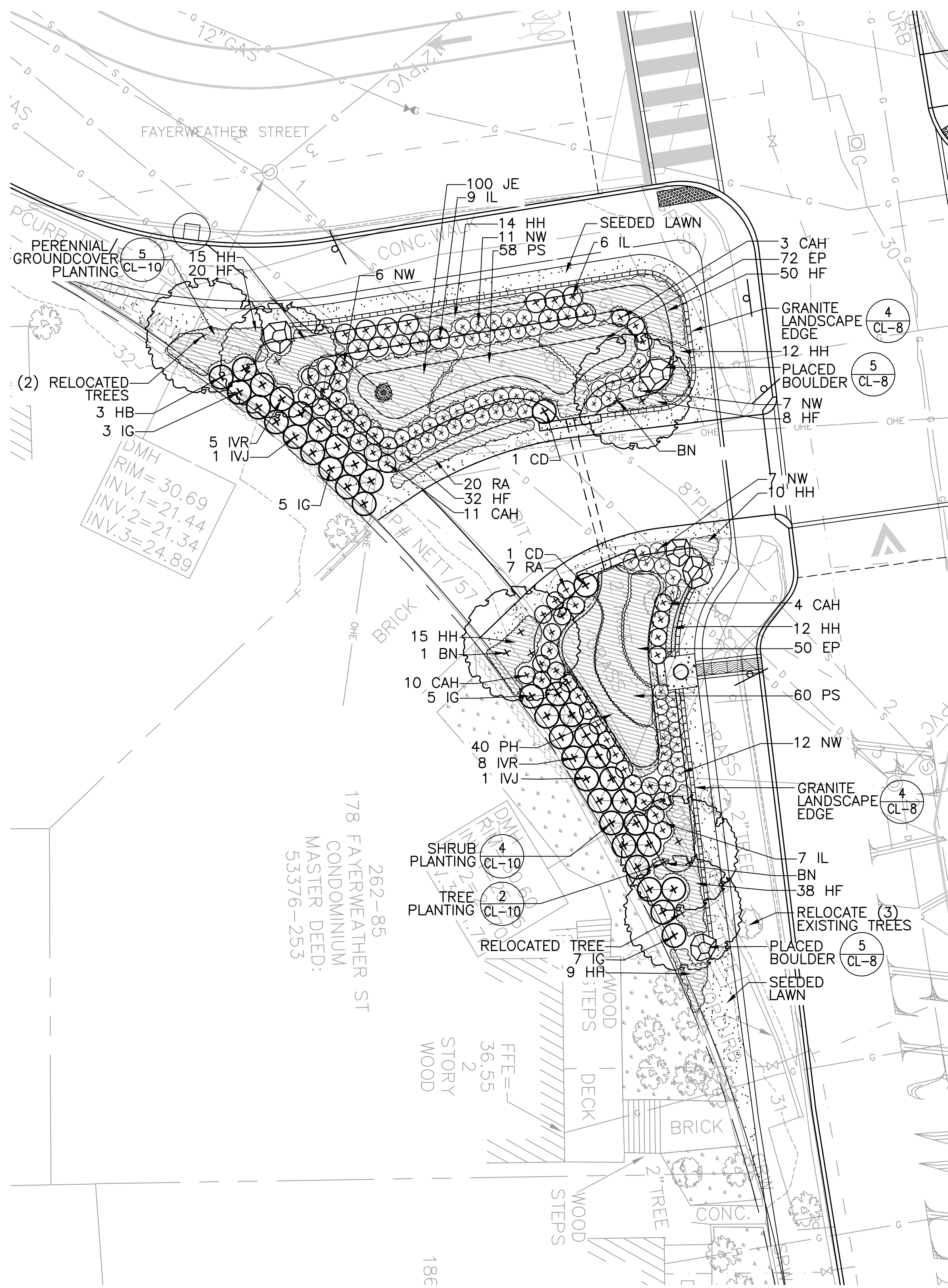
18 Commercial St.
Salem, MA 01970
978/740-0096 (ph.)
978/740-0097 (fax)
www.bioengineering.com



Scale	AS NOTED	
Date	JANUARY 27, 2014	
Job No.	20120256.001A	
Designed by	JB	
Drawn by	AK	
Checked by	JB	
Approved by	RG/DB	
No.	Description	Date
REVISIONS		

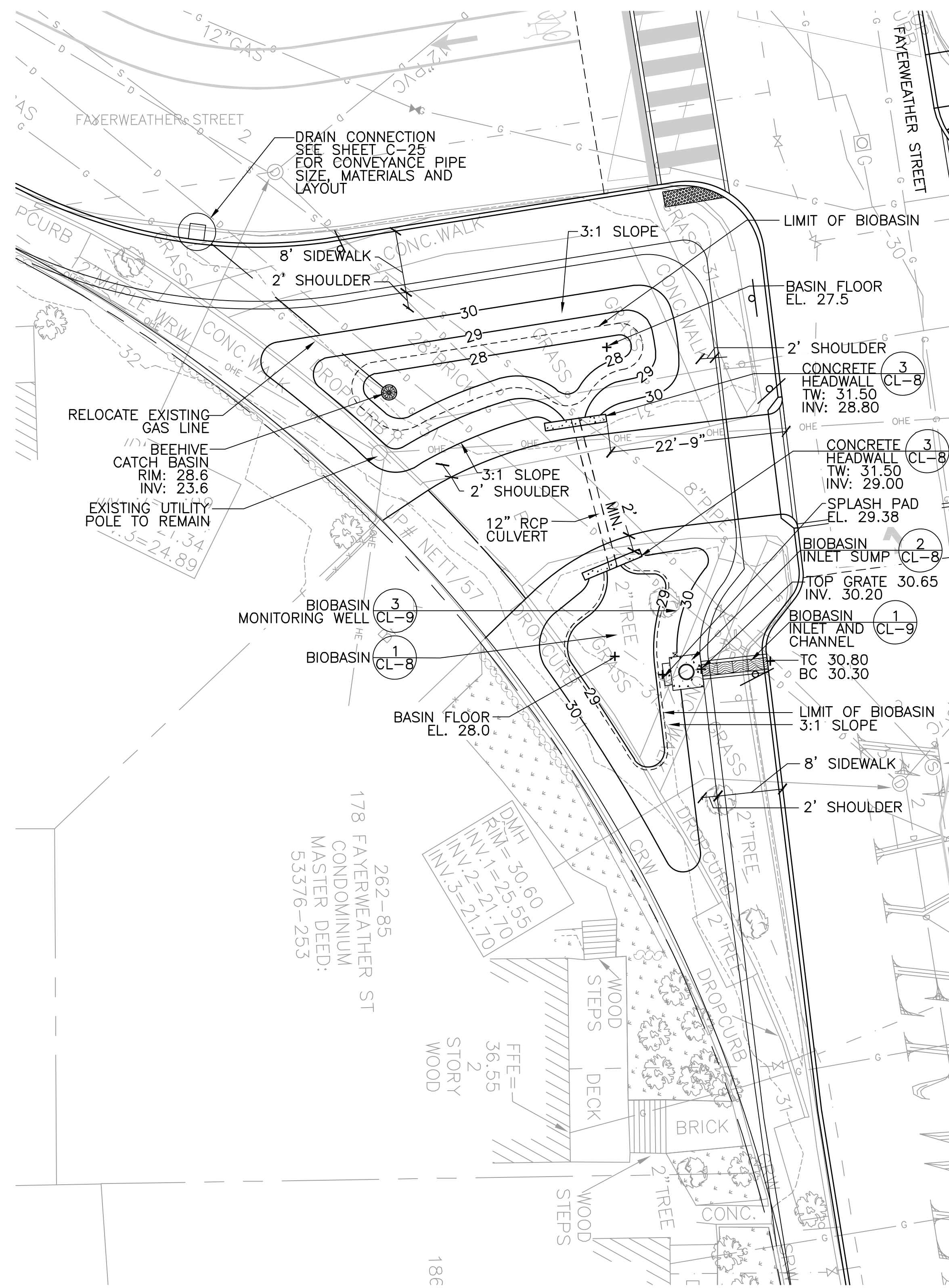


Client	CITY OF CAMBRIDGE, MASSACHUSETTS	Sheet	CL-1
Project	CONCORD AVE. SEWER SEPARATION PROJECT	Contract No.	9
Drawing	LOW IMPACT DEVELOPMENT - TREE PROTECTION AND REMOVALS		
File No.			



FAYERWEATHER AT HAZEL STREET BIOBASIN - PLANTING PLAN

SCALE: 1" = 10'-0"



FAYERWEATHER AT HAZEL STREET BIOBASIN - LAYOUT AND GRADING PLAN

SCALE: 1" = 10'-0"

- LEGEND**
- PROPERTY LINE
 - ⊕ CENTERLINE
 - ALIGN
 - 54— PROPOSED CONTOUR
 - + 6.09 SPOT GRADE
 - ☐ CATCH BASIN
 - ☐ BIOBASIN INLET SUMP (2) CL-8
 - ☐ METAL INLET TRENCH GRATE (2) CL-9
 - ☐ BEEHIVE INLET GRATE
 - BASIN UNDERDRAIN
 - DRAIN CONNECTION
 - UNDERDRAIN CLEANOUT
 - EXISTING TREE TO REMAIN
 - STREET TREE PLANTING (2) CL-10
 - FLOWERING OR MULTISTEM TREE PLANTING (2) CL-10
 - SHRUB PLANTING (4) CL-10
 - PERENNIAL/GROUND COVER PLANTING (5) CL-10
 - ☐ SEEDED LAWN (SEE SPEC SECTION 02900)



CAD FILE: P:\Projects - Active\10092.03 Concord_Ave_Contract_C33_Project_Execution\Reference Data\CAD_CL_2.dwg LAYOUT: CL-2
 PLOTTER: HP DesignJet 2550 Plotter, 11/27/2014 12:50 PM, BY: mshaw



18 Commercial St.
Salem, MA 01970
978/740-0096 (ph.)
978/740-0097 (fax)
www.bioengineering.com

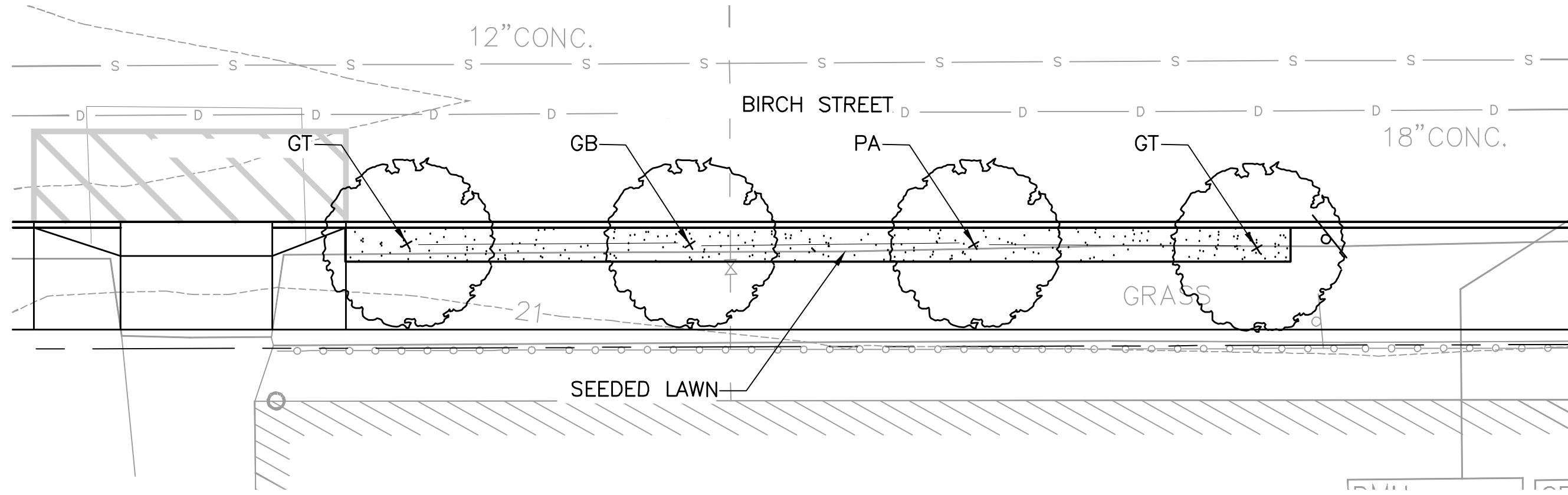


Scale	AS NOTED			
Date	JANUARY 27, 2014			
Job No.	20120256.001A			
Designed by	RG/BN			
Drawn by	AK/BJ			
Checked by	JB	No.	Description	Date
Approved by	RG/DB		REVISIONS	



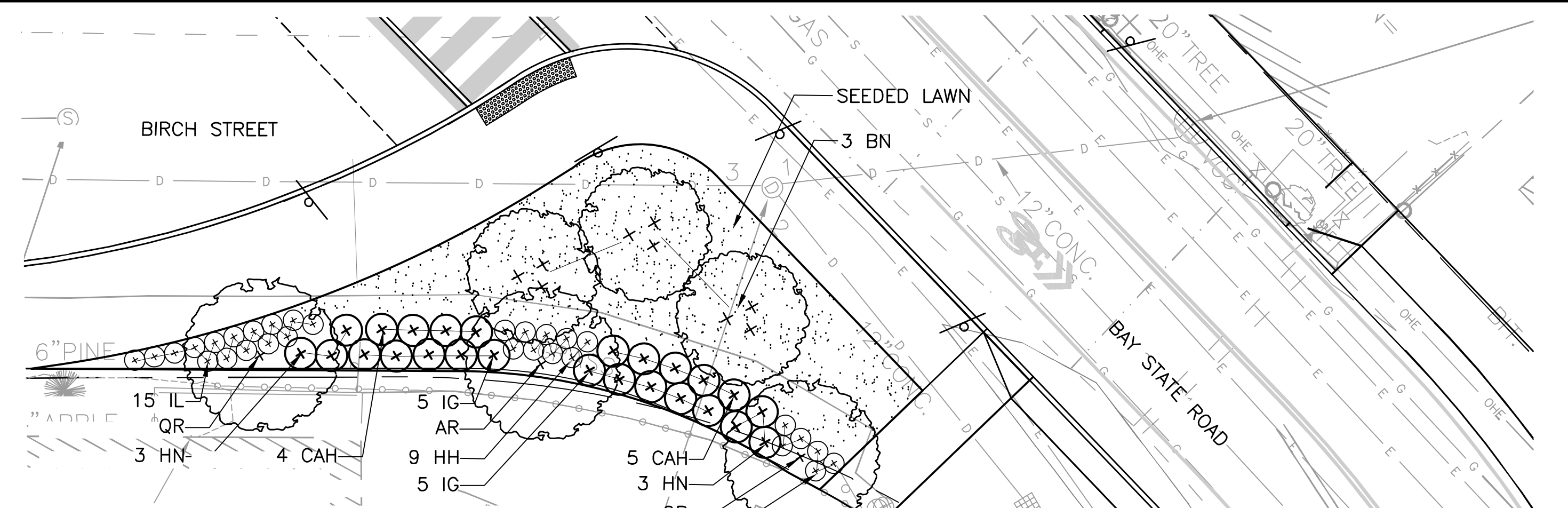
Client	CITY OF CAMBRIDGE, MASSACHUSETTS
Project	CONCORD AVE. SEWER SEPARATION PROJECT Contract No. 9
Drawing	LOW IMPACT DEVELOPMENT - BIOBASIN-LAYOUT, GRADING AND PLANTING PLANS

Sheet	CL-2
File No.	



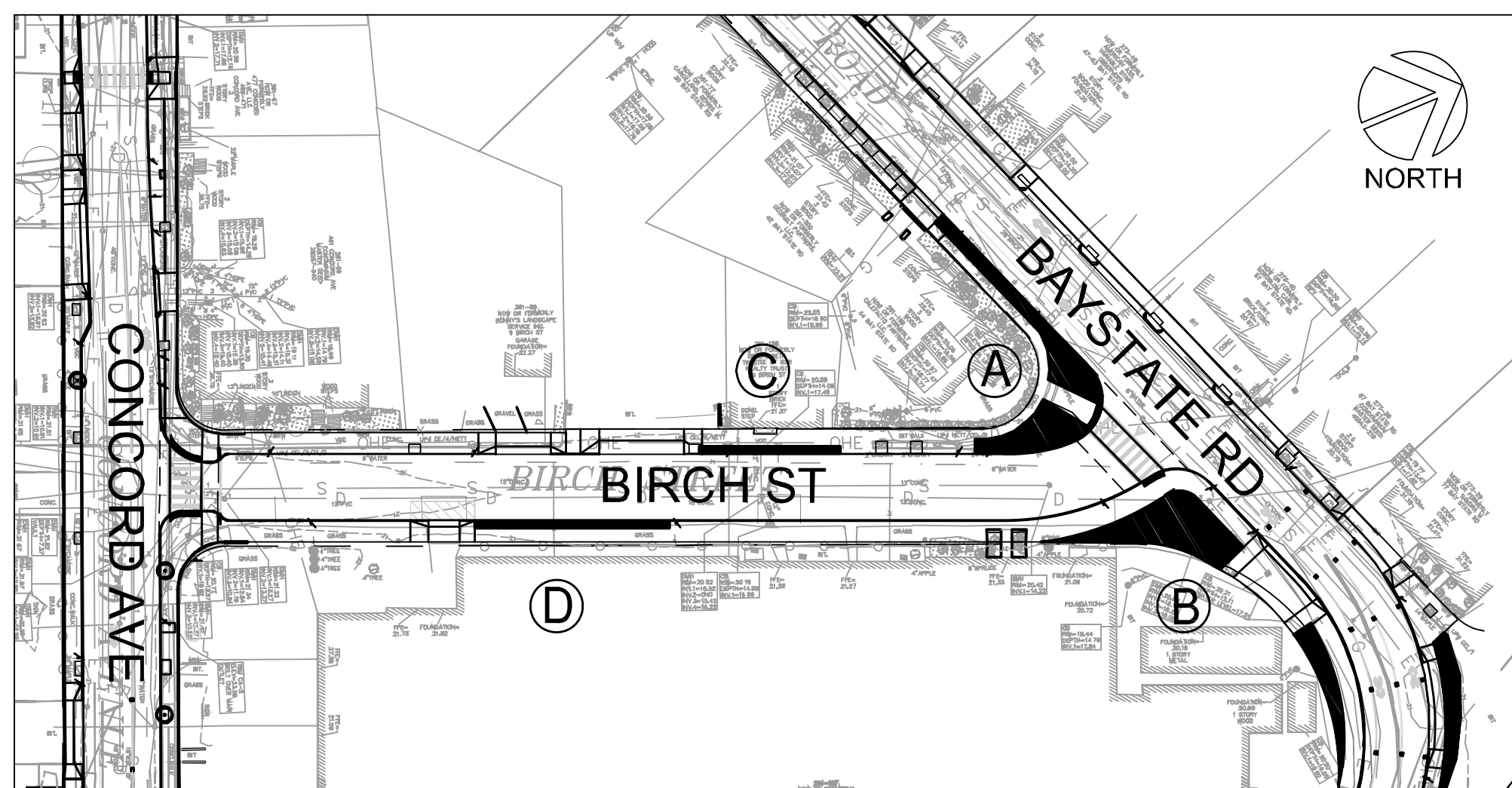
BIRCH STREET PLANTING AREA D

SCALE: 1" = 10'-0"



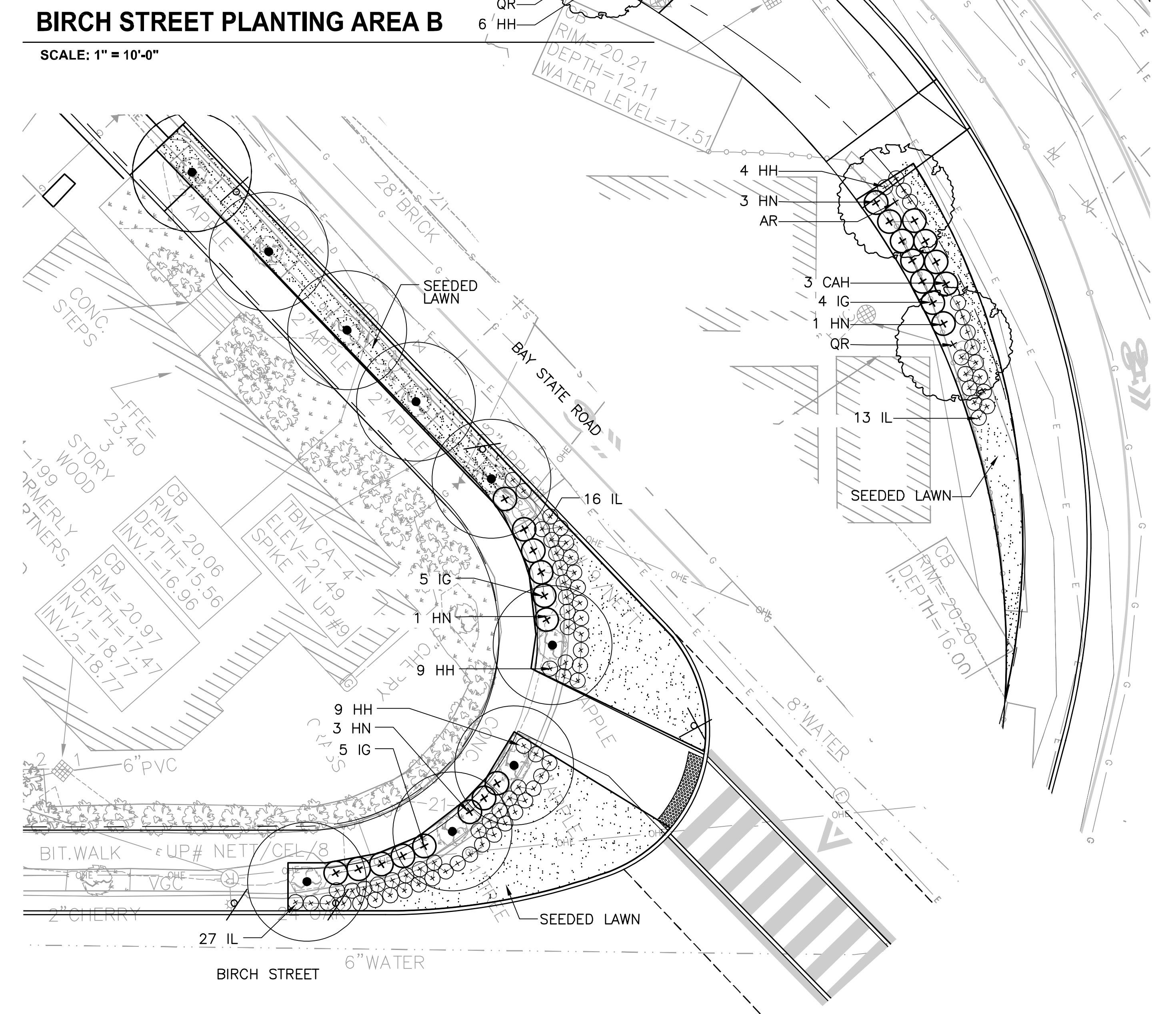
BIRCH STREET PLANTING AREA B

SCALE: 1" = 10'-0"



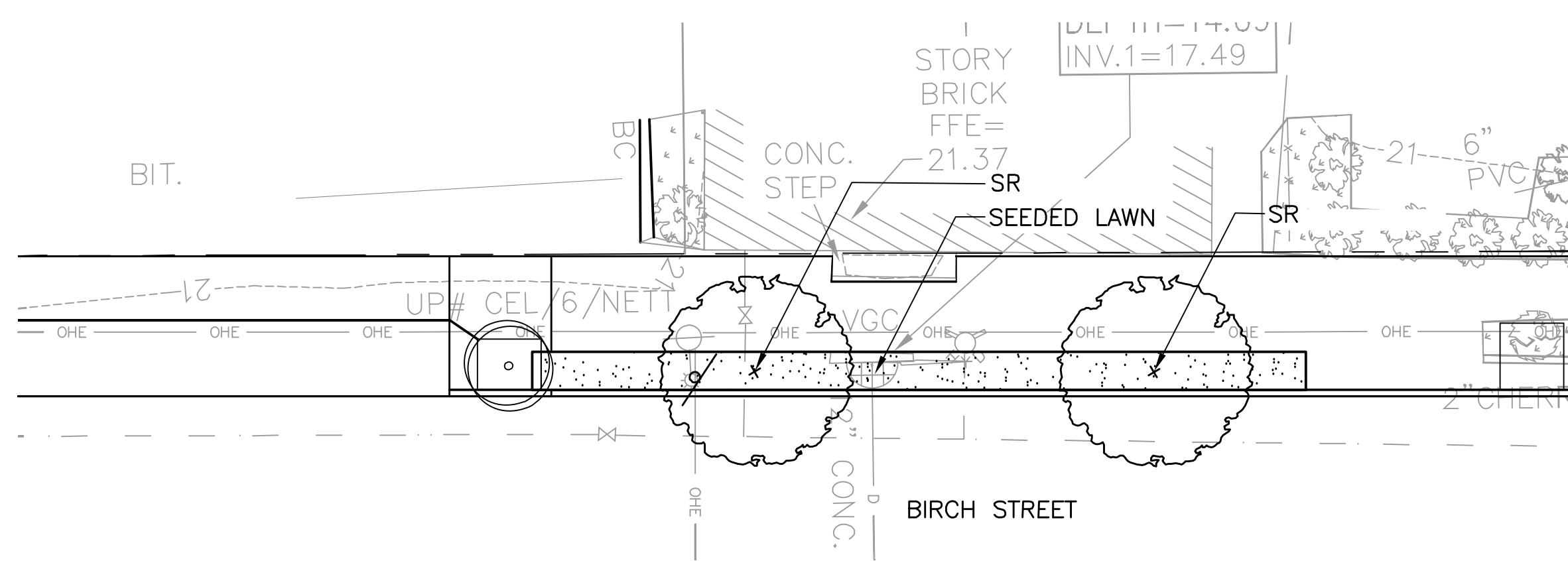
KEY PLAN - BIRCH STREET PLANTING AREAS

N.T.S.



BIRCH STREET PLANTING AREA A

SCALE: 1" = 10'-0"



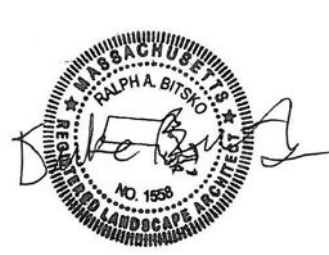
BIRCH STREET PLANTING AREA C

SCALE: 1" = 10'-0"

CAD FILE: P:\Projects - Active\1009203 Concord_Ave_Contract_CL3_Project_Execution\Reference Data\CAD_CL3.dwg LAYOUT: CL-3
 PLOTTER: HP1020 1/17/2014 12:55 PM BY: mshaw kind



18 Commercial St.
Salem, MA 01970
978/740-0096 (ph.)
978/740-0097 (fax)
www.bioengineering.com

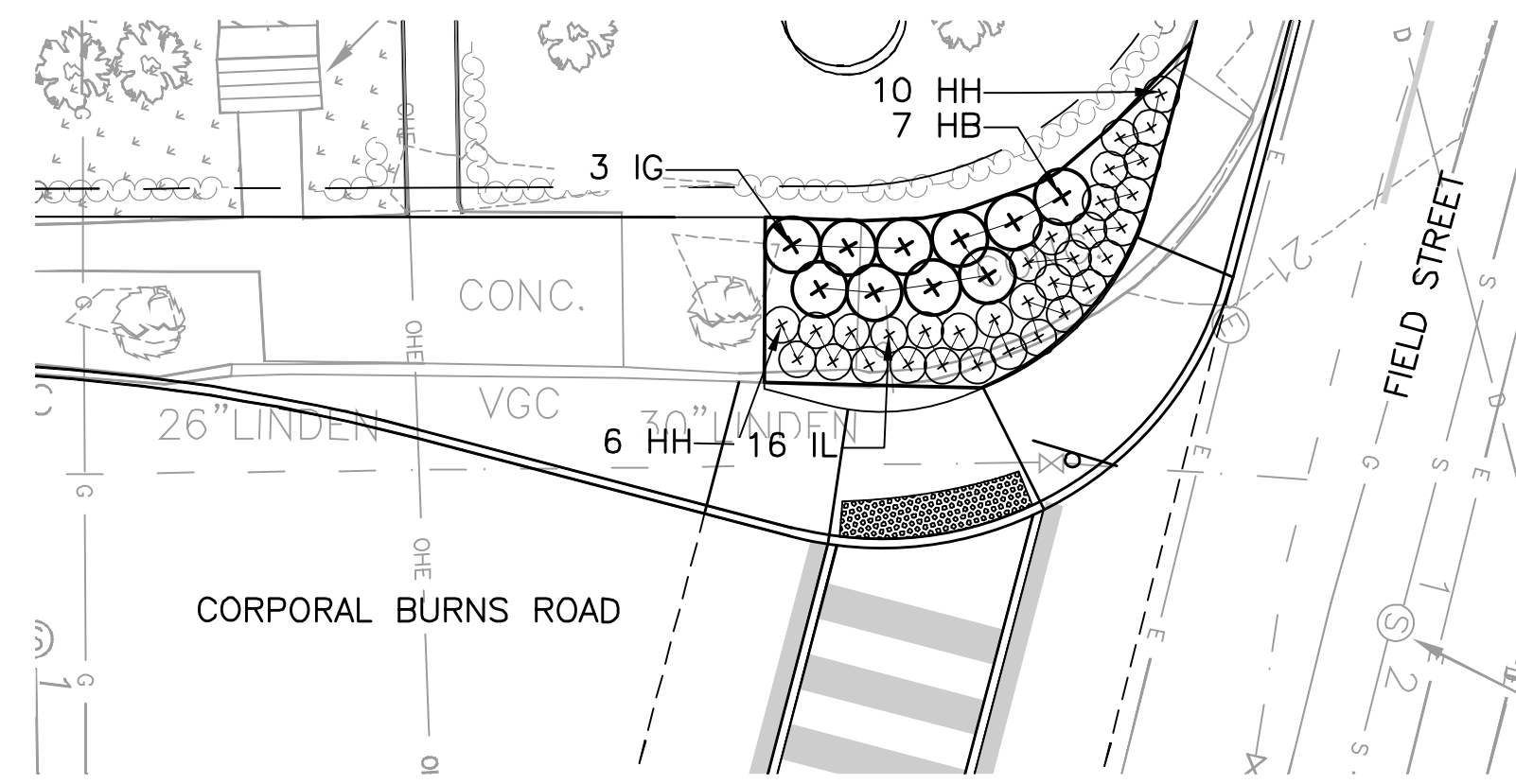


Scale	AS NOTED			
Date	JANUARY 27, 2014			
Job No.	20120256.001A			
Designed by	JB			
Drawn by	AK/JB			
Checked by	DB	No.	Description	Date
Approved by	DB		REVISIONS	



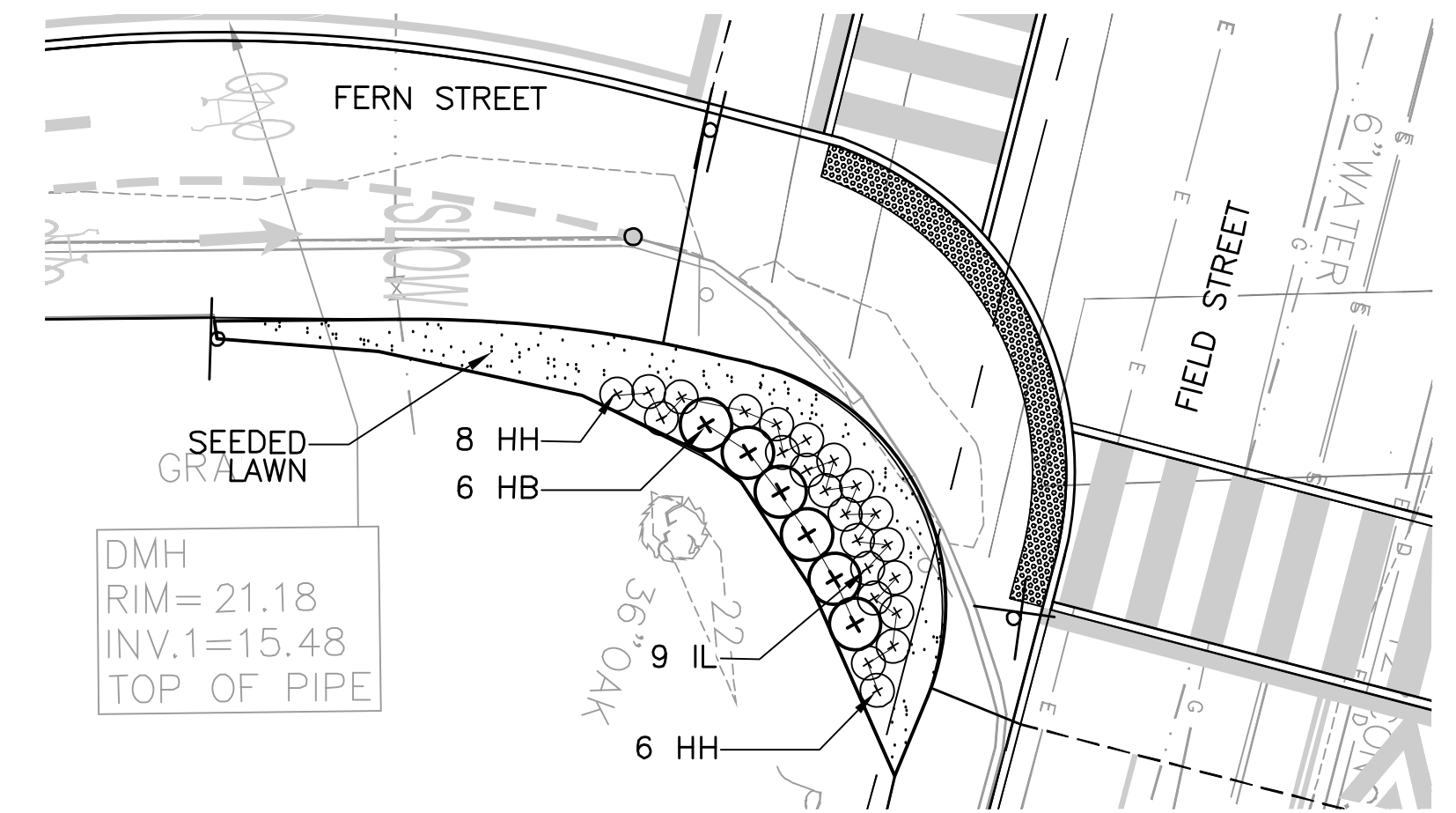
Client	CITY OF CAMBRIDGE, MASSACHUSETTS
Project	CONCORD AVE. SEWER SEPARATION PROJECT Contract No. 9
Drawing	LOW IMPACT DEVELOPMENT - PLANTING AREAS

Sheet	CL-3
File No.	



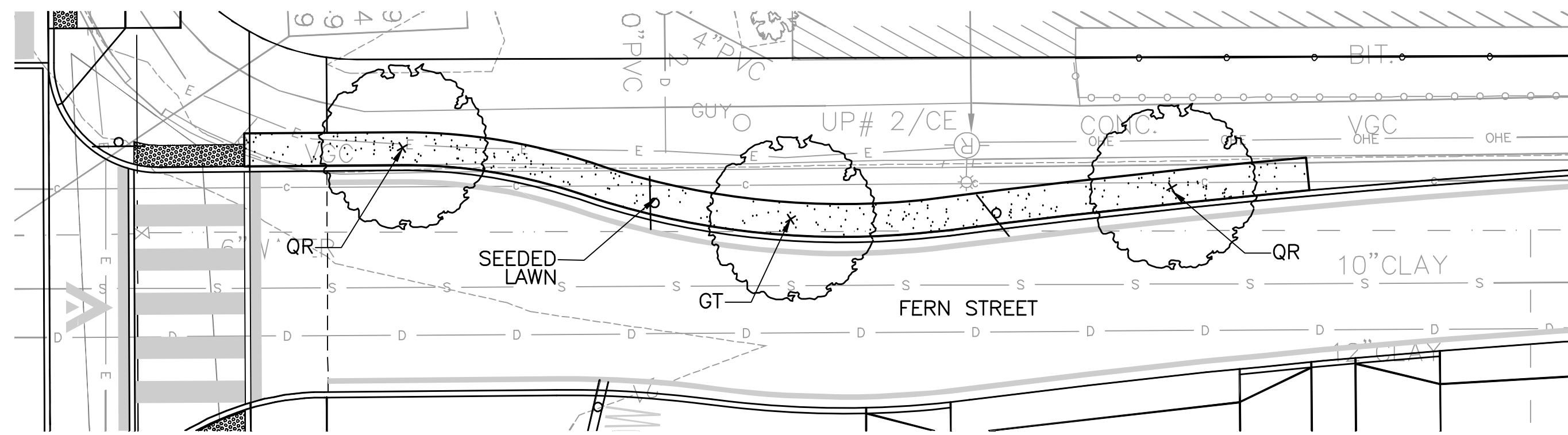
CORPORAL BURNS ROAD PLANTING AREA D

SCALE: 1" = 10'-0"



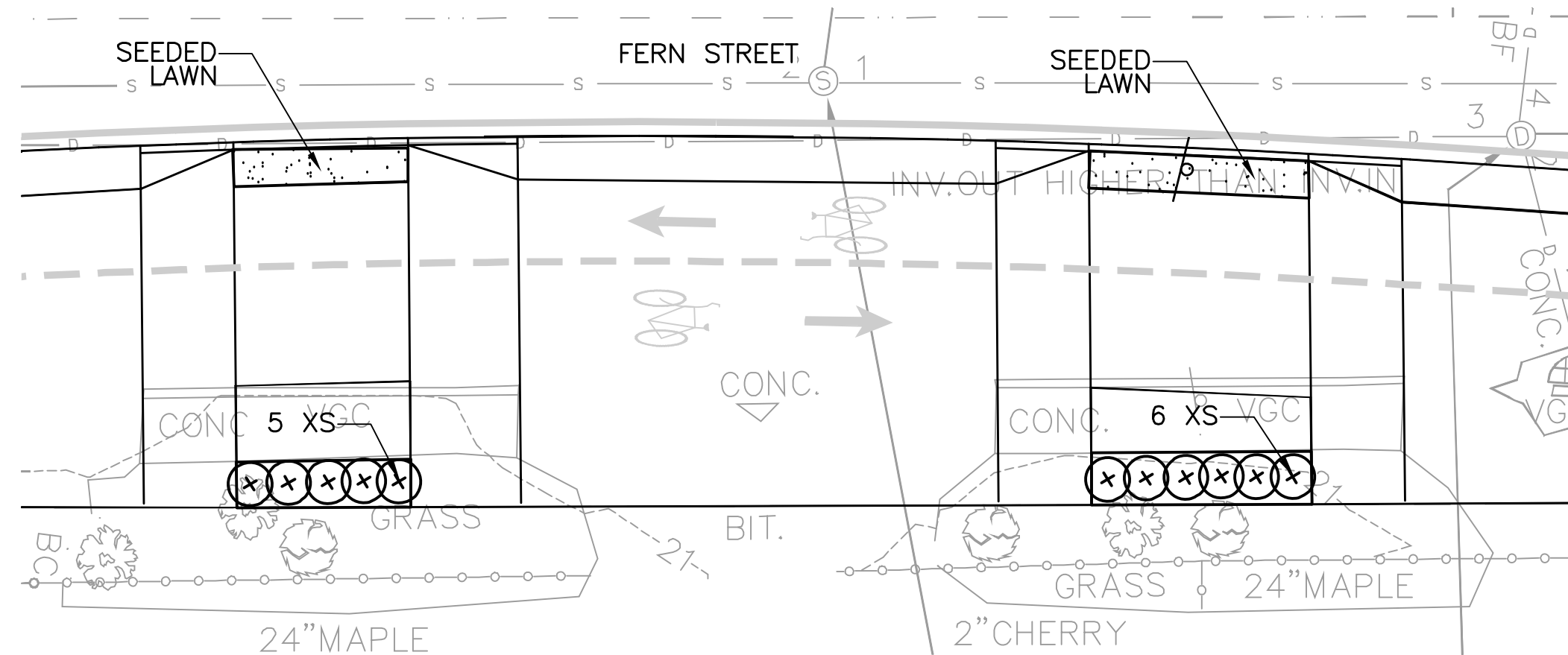
FERN STREET PLANTING AREA A

SCALE: 1" = 10'-0"



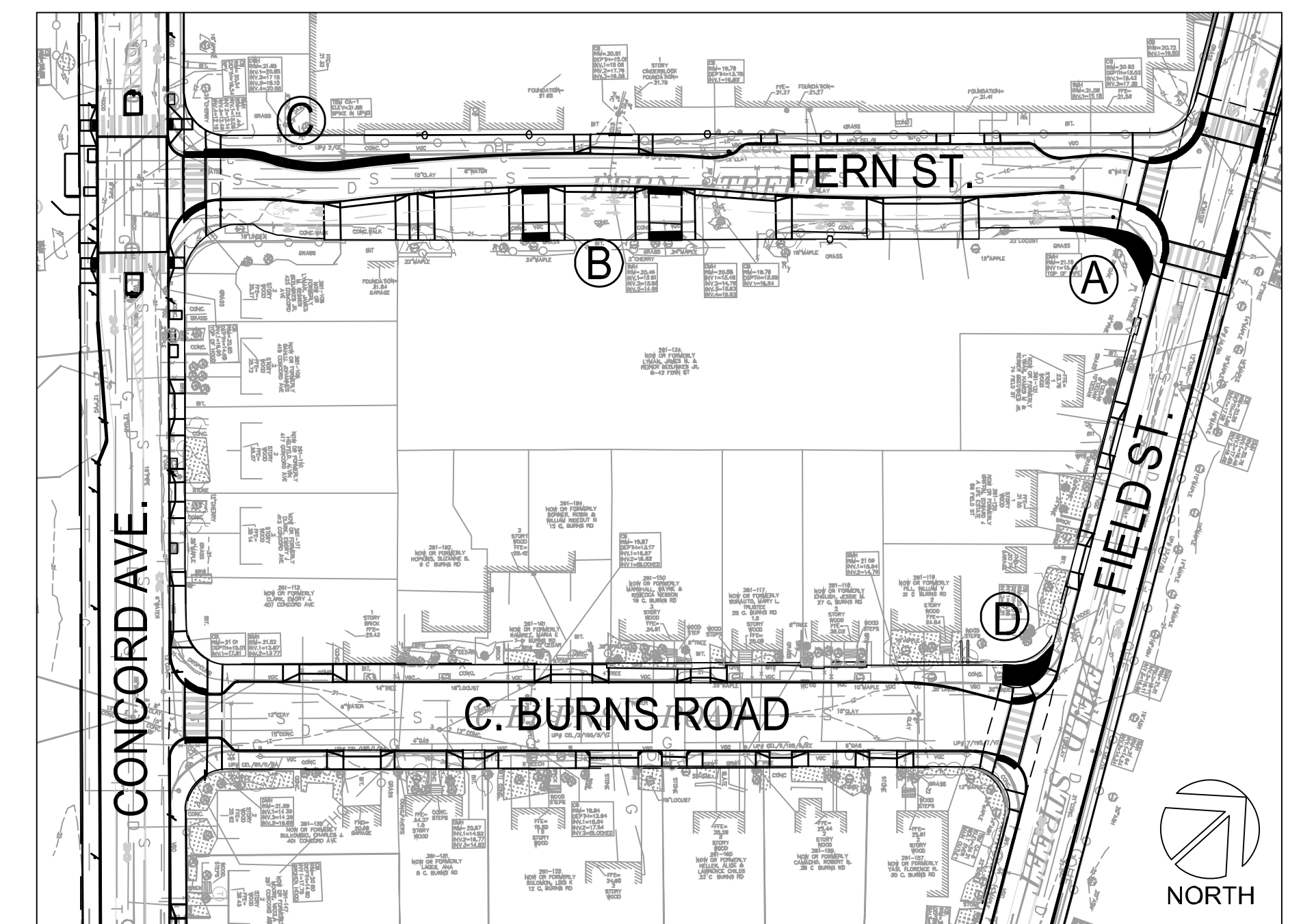
FERN STREET PLANTING AREA C

SCALE: 1" = 10'-0"



FERN STREET PLANTING AREA B

SCALE: 1" = 10'-0"



KEY PLAN - FERN STREET / C.BURNS ROAD PLANTING AREAS

N.T.S.

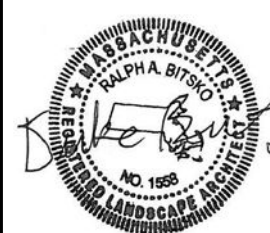
PLOTTEED: 1/17/2014 1:51 PM BY: mshaw.kend

LAYOUT: CL-4

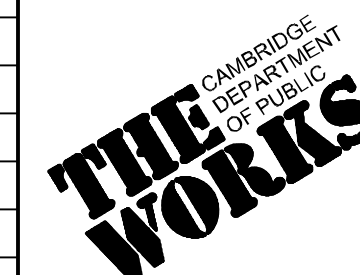
CAD FILE: P:\Projects - Active\10092.03 Concord_Ave_Contract_CL3_Project_Execution\Reference Data\CAD_CL_4.dwg



18 Commercial St.
Salem, MA 01970
978/740-0096 (ph.)
978/740-0097 (fax)
www.bioengineering.com

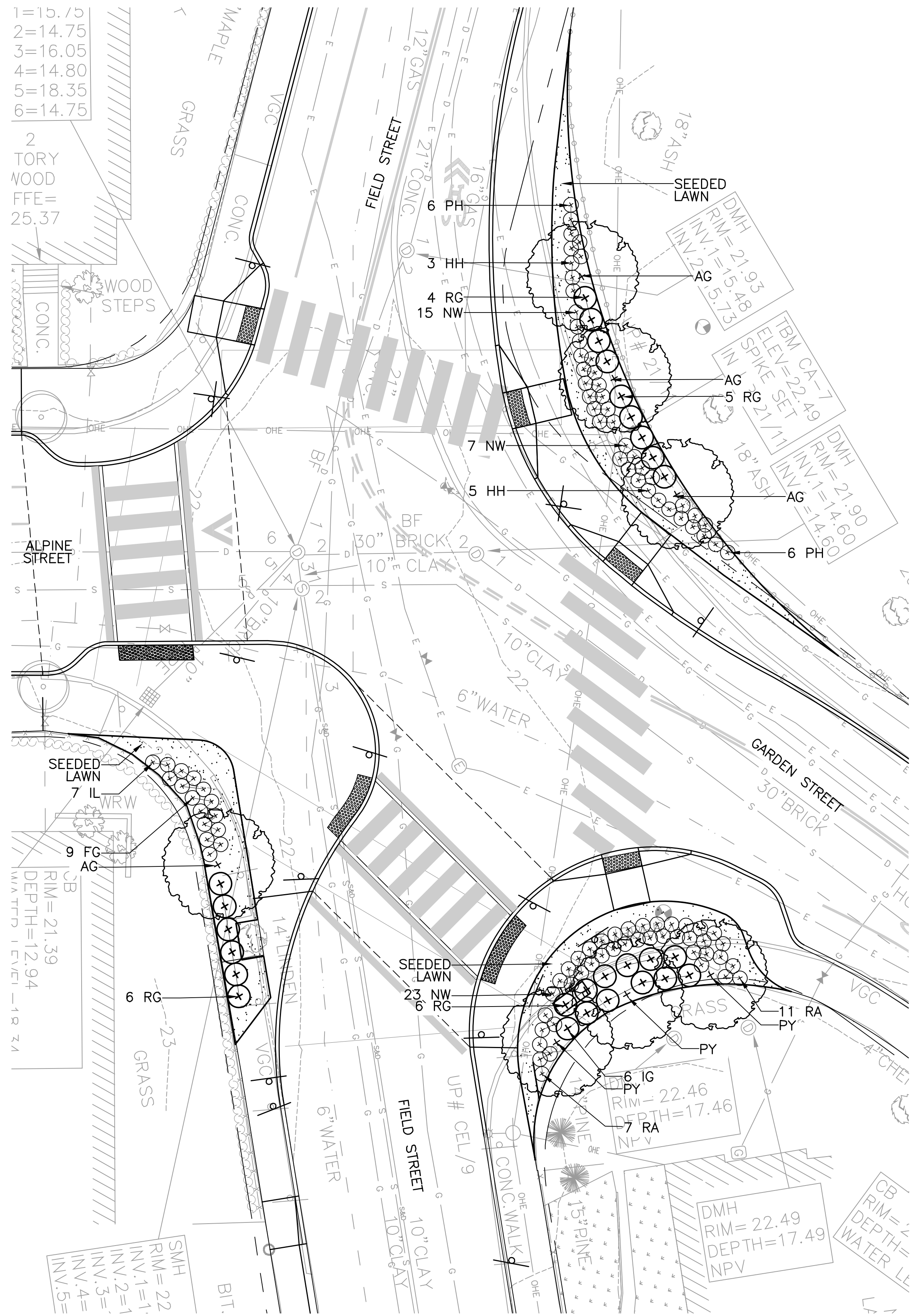


Scale	AS NOTED			
Date	JANUARY 27, 2014			
Job No.	20120256.001A			
Designed by	JB			
Drawn by	AKJB			
Checked by	DB	No.	Description	Date
Approved by	DB		REVISIONS	



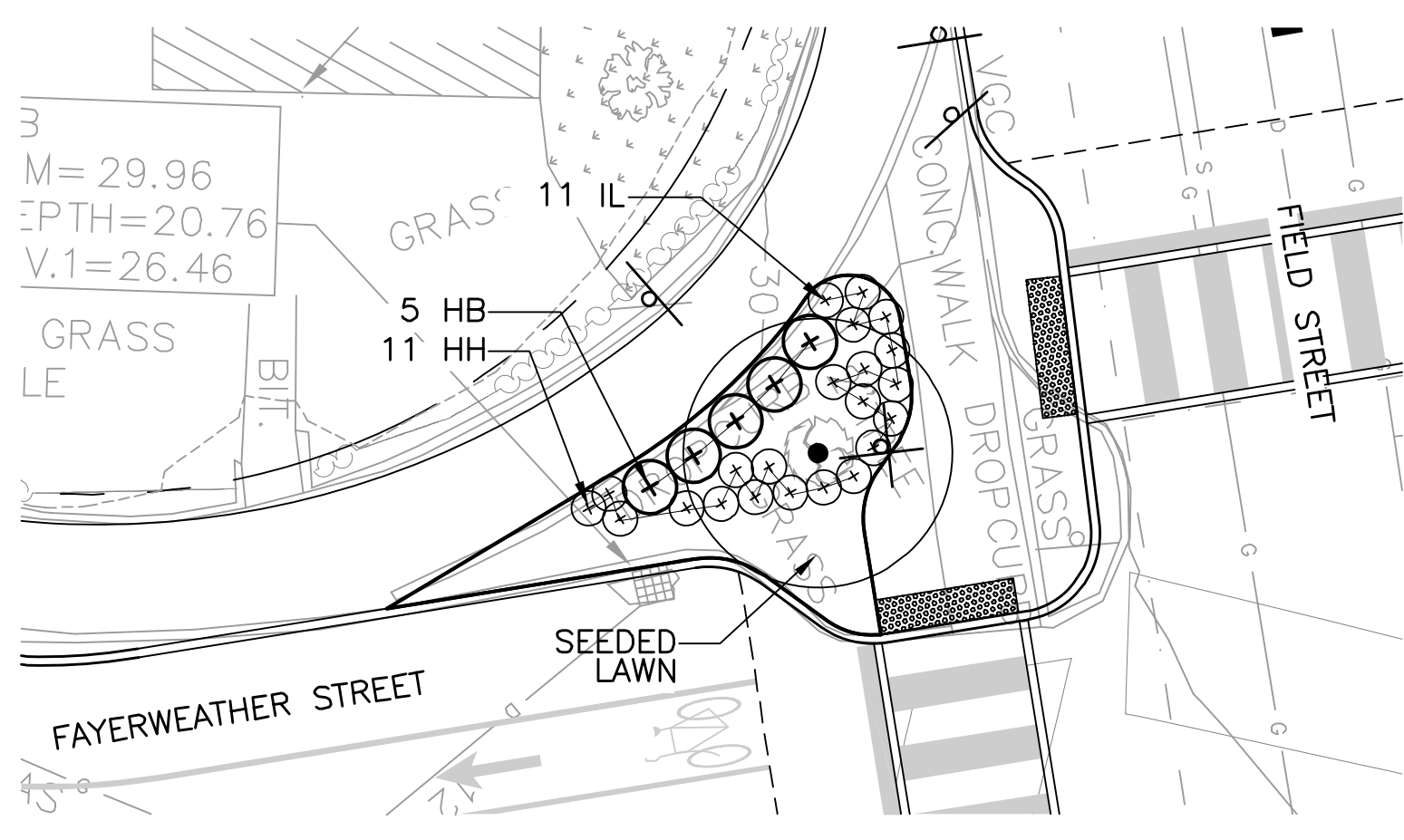
Client	CITY OF CAMBRIDGE, MASSACHUSETTS
Project	CONCORD AVE. SEWER SEPARATION PROJECT Contract No. 9
Drawing	LOW IMPACT DEVELOPMENT - PLANTING AREAS

Sheet	CL-4
File No.	



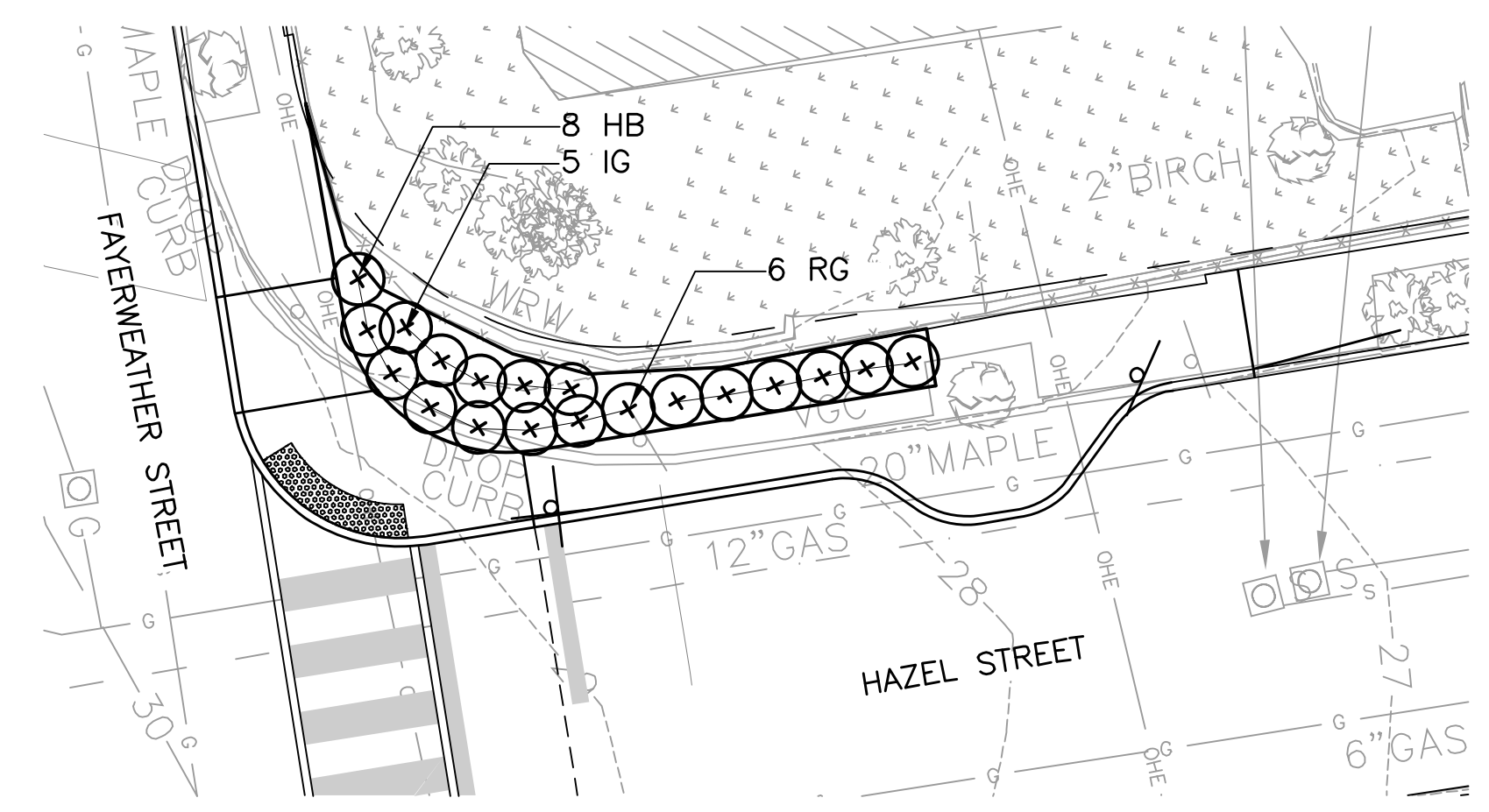
ALPINE STREET / FIELD STREET PLANTING AREA C

SCALE: 1" = 10'-0"



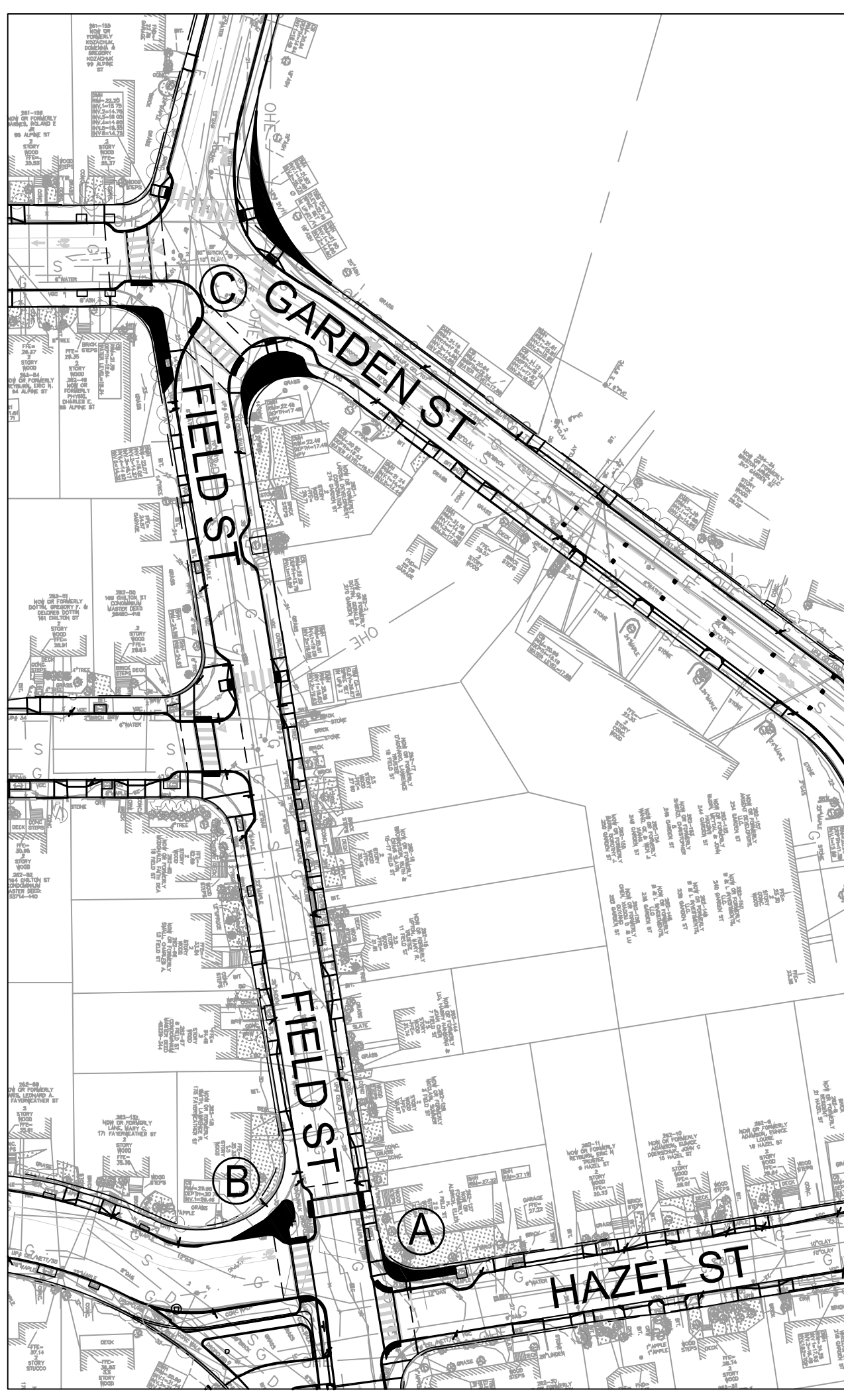
HAZEL STREET / FIELD STREET PLANTING AREA B

SCALE: 1" = 10'-0"



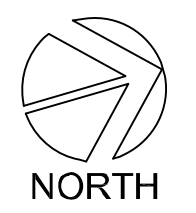
HAZEL STREET / FIELD STREET PLANTING AREA A

SCALE: 1" = 10'-0"



KEY PLAN - ALPINE STREET / FIELD STREET PLANTING AREA

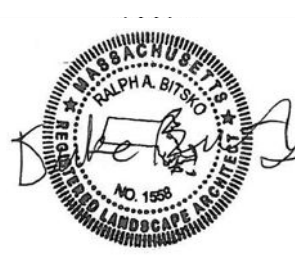
N.T.S.



CAD FILE: P:\Projects - Active\1009203 Concord_Ave_Contract_C03_Project_Execution\Reference Data\CAD\CL-5.dwg LAYOUT: CL-5
 PLOTTED: 1/17/2014 2:00 PM BY: mstrom.kad



18 Commercial St.
Salem, MA 01970
978/740-0096 (ph.)
978/740-0097 (fax)
www.bioengineering.com



Scale	AS NOTED			
Date	JANUARY 27, 2014			
Job No.	20120256.001A			
Designed by	JB			
Drawn by	AK/JB			
Checked by	DB	No.	Description	Date
Approved by	DB		REVISIONS	

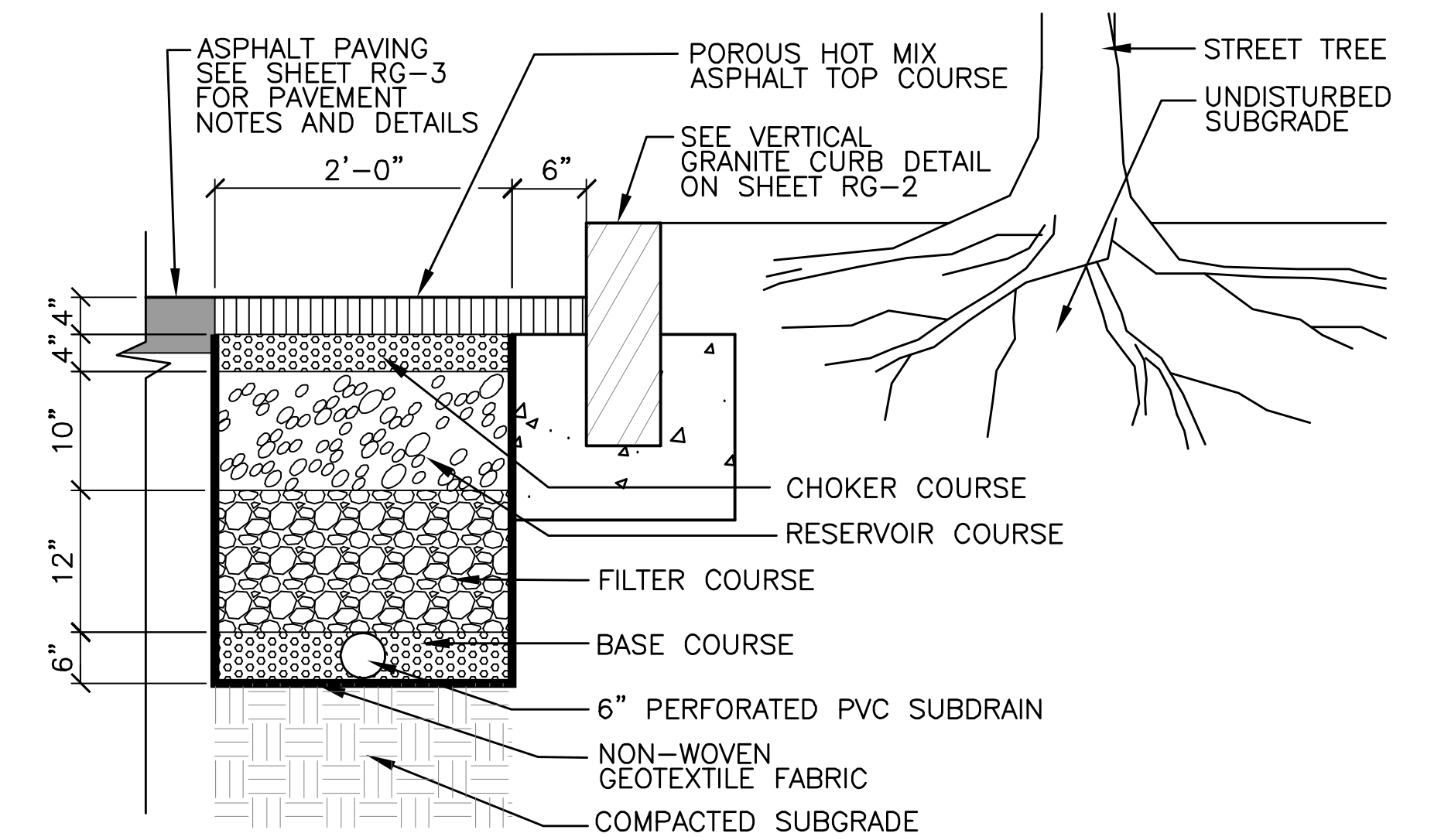


Client	CITY OF CAMBRIDGE, MASSACHUSETTS
Project	CONCORD AVE. SEWER SEPARATION PROJECT Contract No. 9
Drawing	LOW IMPACT DEVELOPMENT - PLANTING AREAS

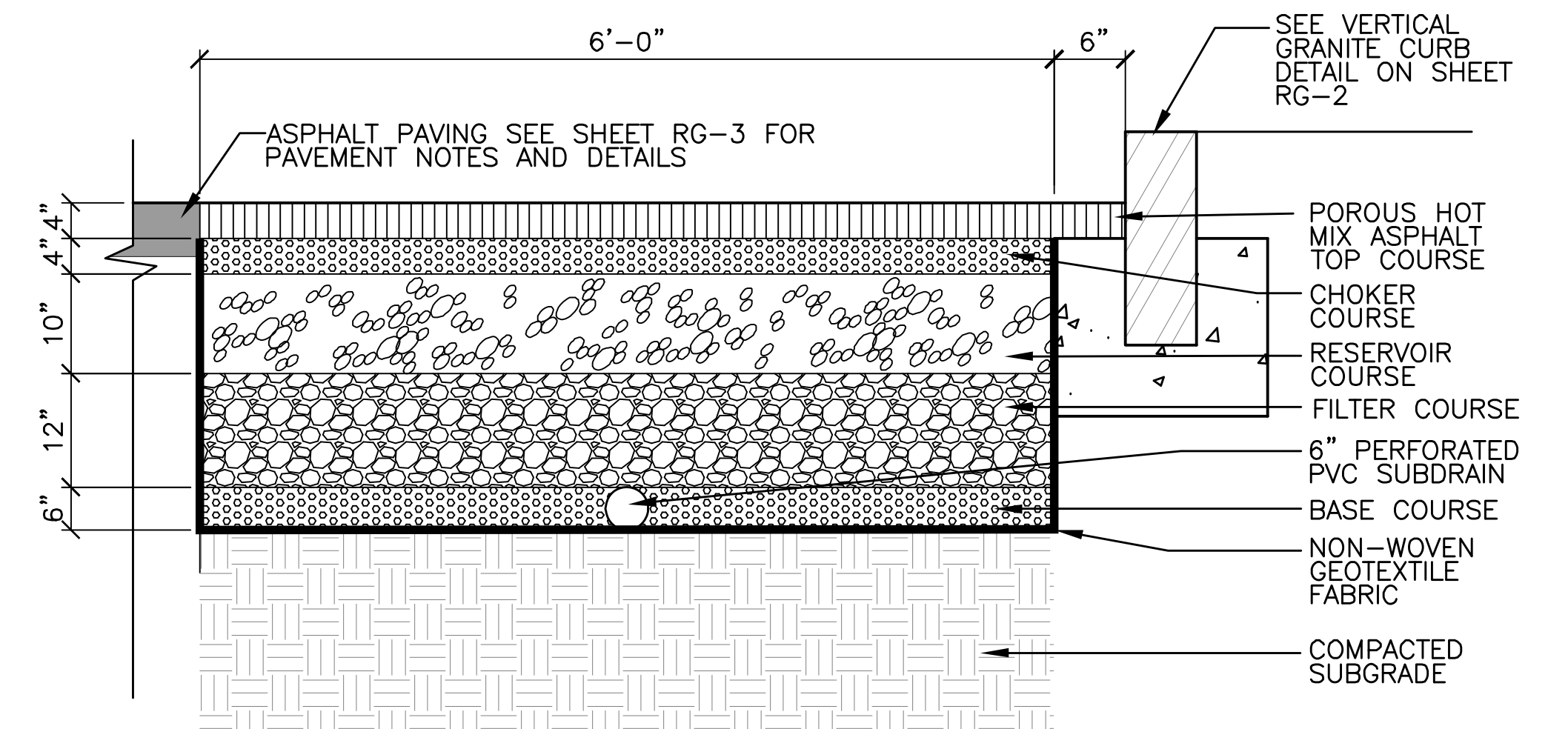
Sheet	CL-5
File No.	

NOTES:

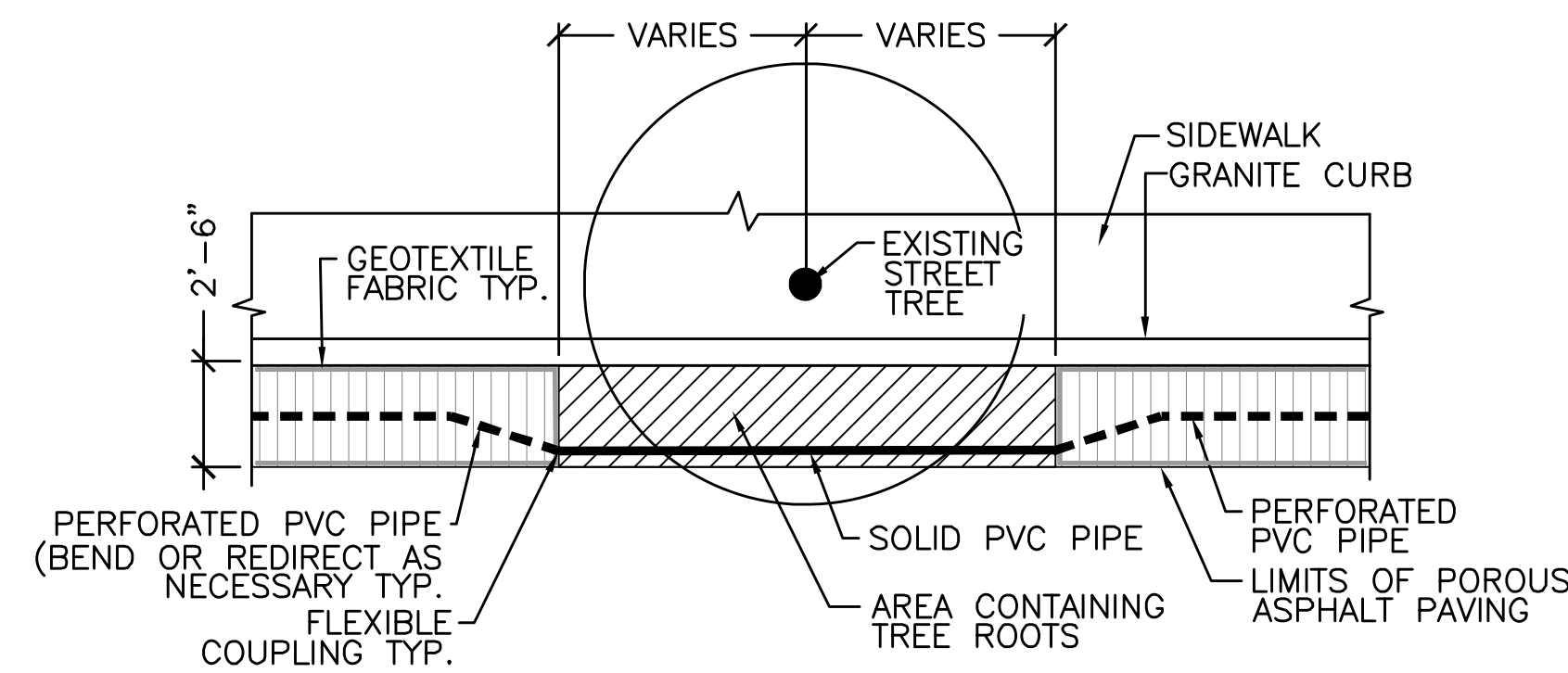
1. FOR LAYOUT AND LIMITS OF POROUS PAVING SECTIONS, SEE R SERIES.
2. FOR POROUS PAVING, SEE SPECIFICATION SECTION 02510, HOT MIX ASPHALT POROUS PAVING.
3. FOR CONSTRUCTION SEQUENCE OF POROUS PAVING, SEE SPECIFICATION SECTION 01010, SUMMARY OF WORK, SECTION 1063 SEQUENCING OF WORK.



2 HOT MIX ASPHALT POROUS PAVING, (36" DEPTH, 2' WIDTH)
SCALE: NTS



1 HOT MIX ASPHALT POROUS PAVING (36" DEPTH, 6' WIDTH)
SCALE: NTS



3 POROUS UNDERDRAIN AT EXISTING TREE ROOTS
SCALE: NTS

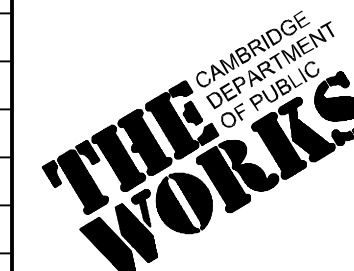
CAD FILE: P:\Projects - Active\10092\03 Concord_Ave_Contract_C03_Project_Execution\Reference Data\CAD\CL-7.dwg LAYOUT: CL-7
 PLOTTED: 1/17/2014 2:56 PM BY: mshaw.kad



18 Commercial St.
Salem, MA 01970
978/740-0096 (ph.)
978/740-0097 (fax)
www.bioengineering.com

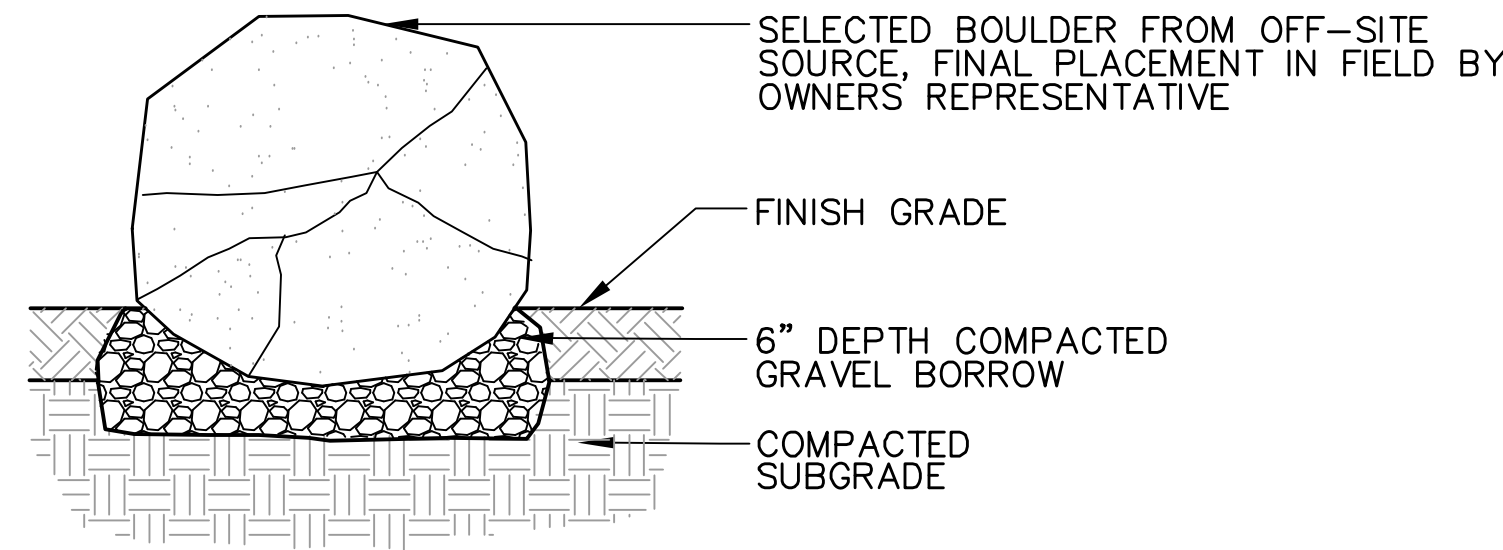


Scale	AS NOTED			
Date	JANUARY 27, 2014			
Job No.	20120256.001A			
Designed by	RG/BN			
Drawn by	AK/BJ			
Checked by	DB	No.	Description	Date
Approved by	RG/DB		REVISIONS	



Client	CITY OF CAMBRIDGE, MASSACHUSETTS
Project	CONCORD AVE. SEWER SEPARATION PROJECT Contract No. 9
Drawing	LOW IMPACT DEVELOPMENT - POROUS PAVING DETAILS

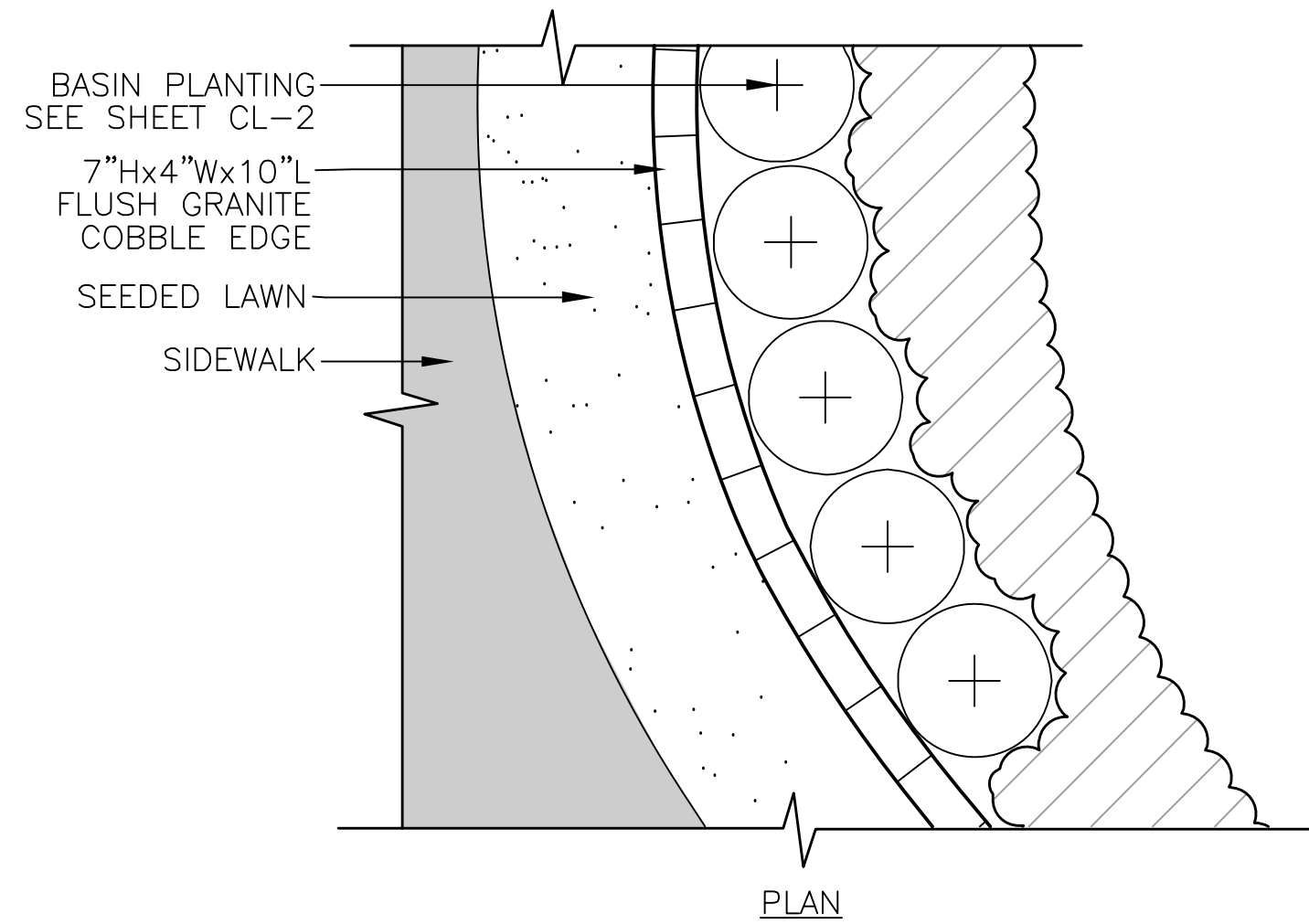
Sheet	CL-7
File No.	



NOTE: SEE SPEC SECTION 02905 FOR BOULDER SIZES

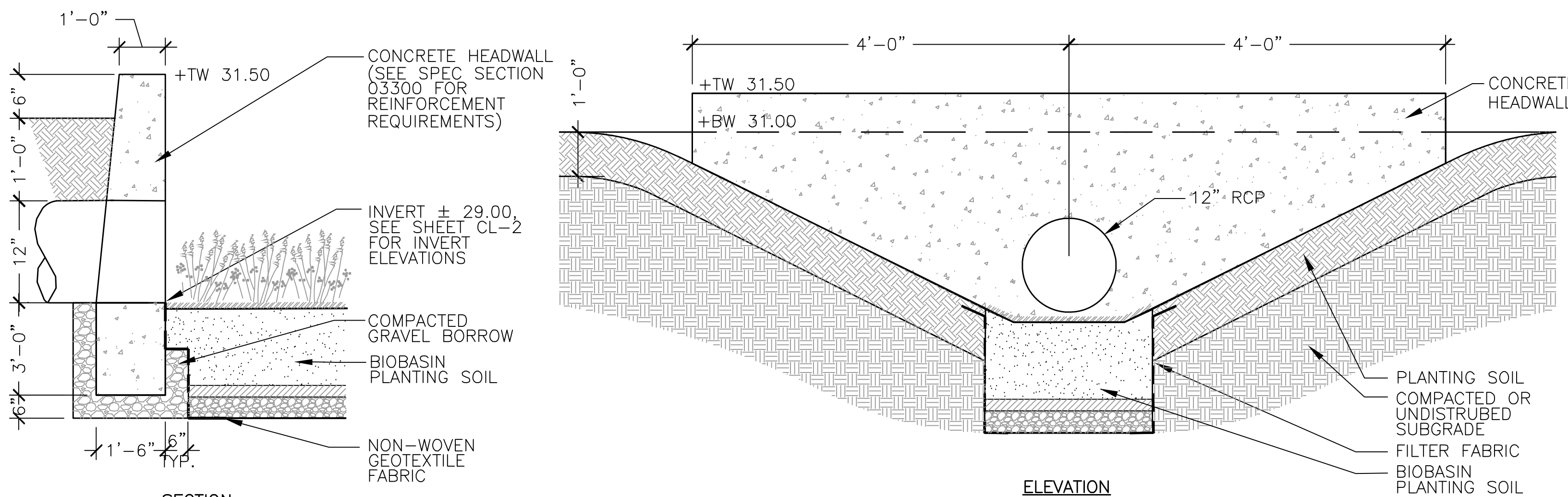
5 BIOBASIN - PLACED BOULDER

SCALE: NTS



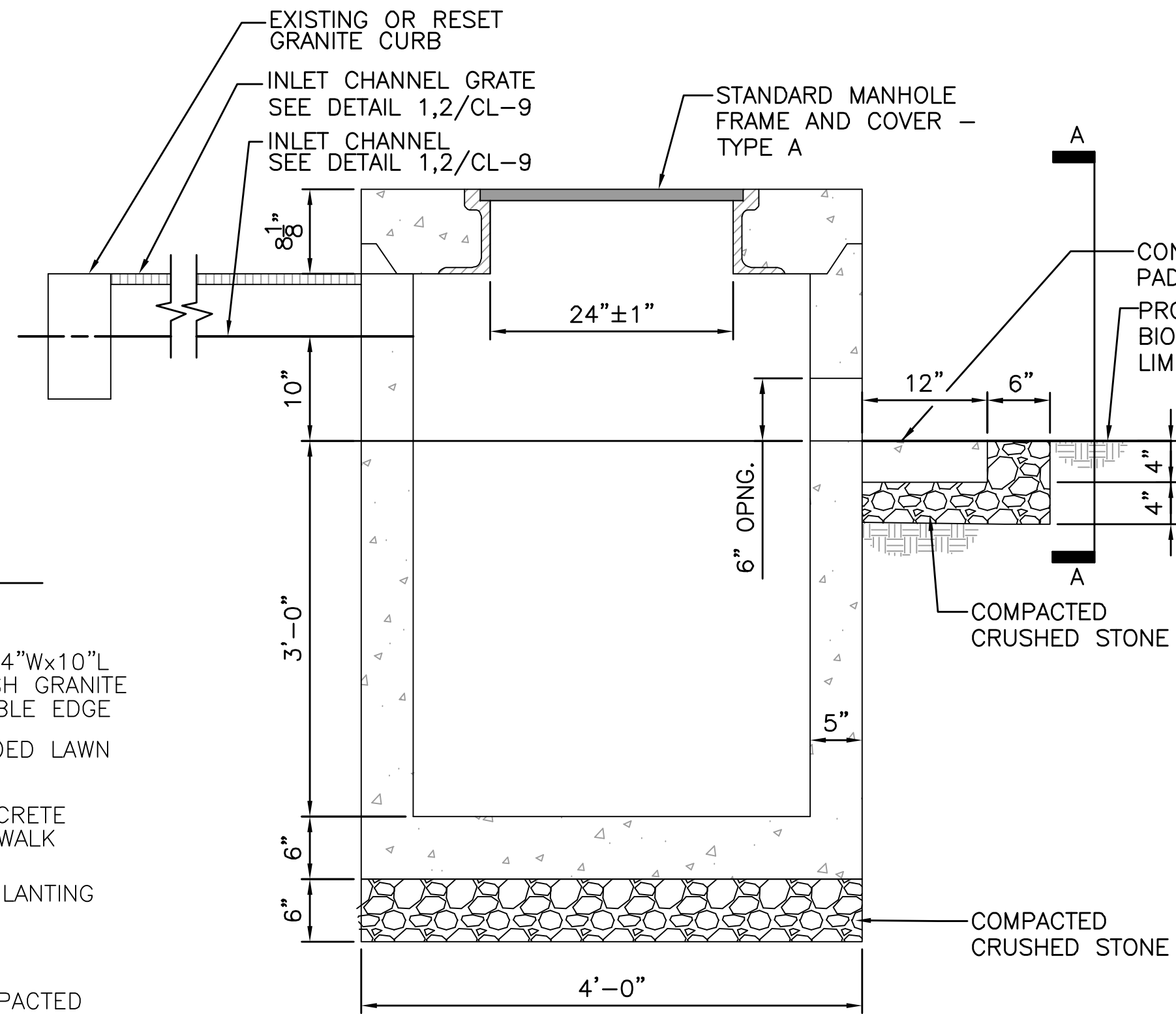
4 BIOBASIN - GRANITE LANDSCAPE EDGE

SCALE: NTS



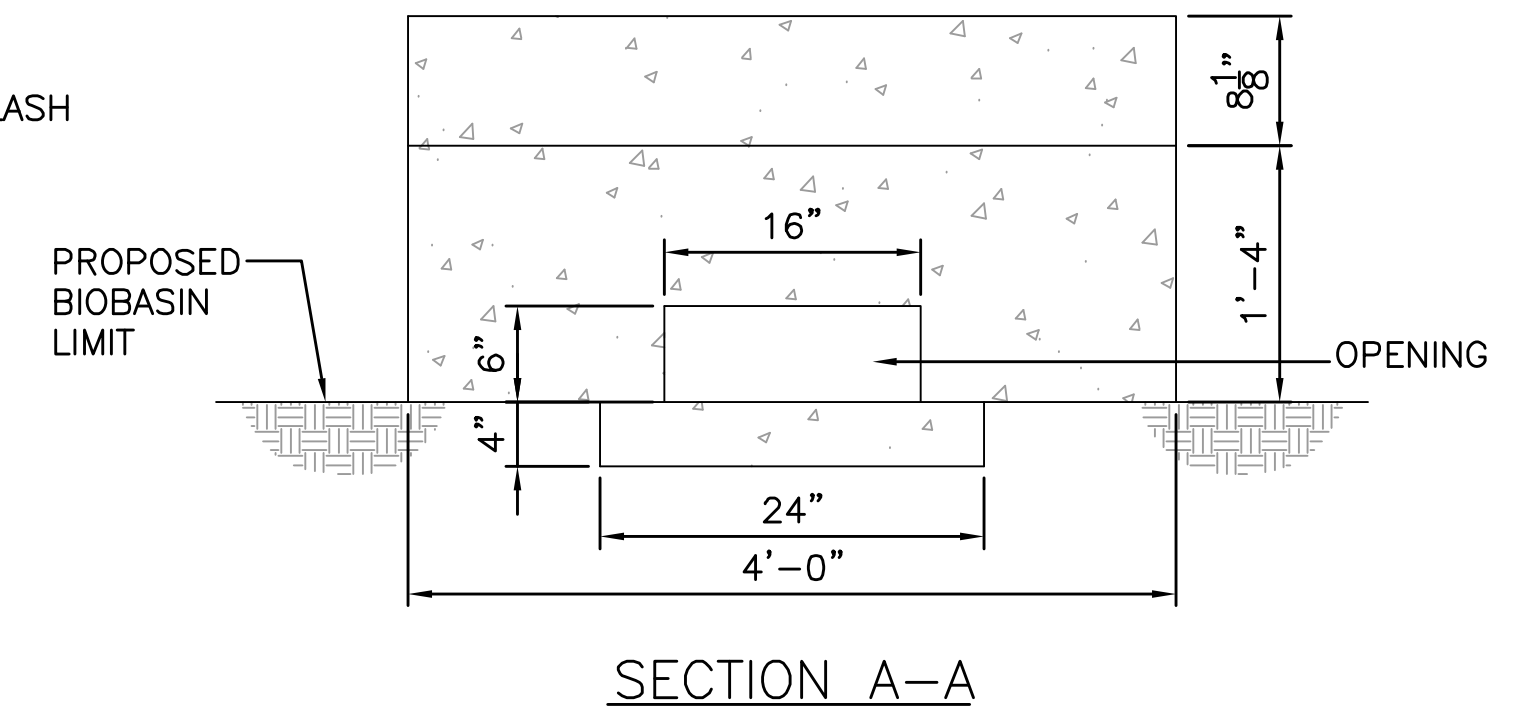
3 CONCRETE HEADWALL

SCALE: NTS



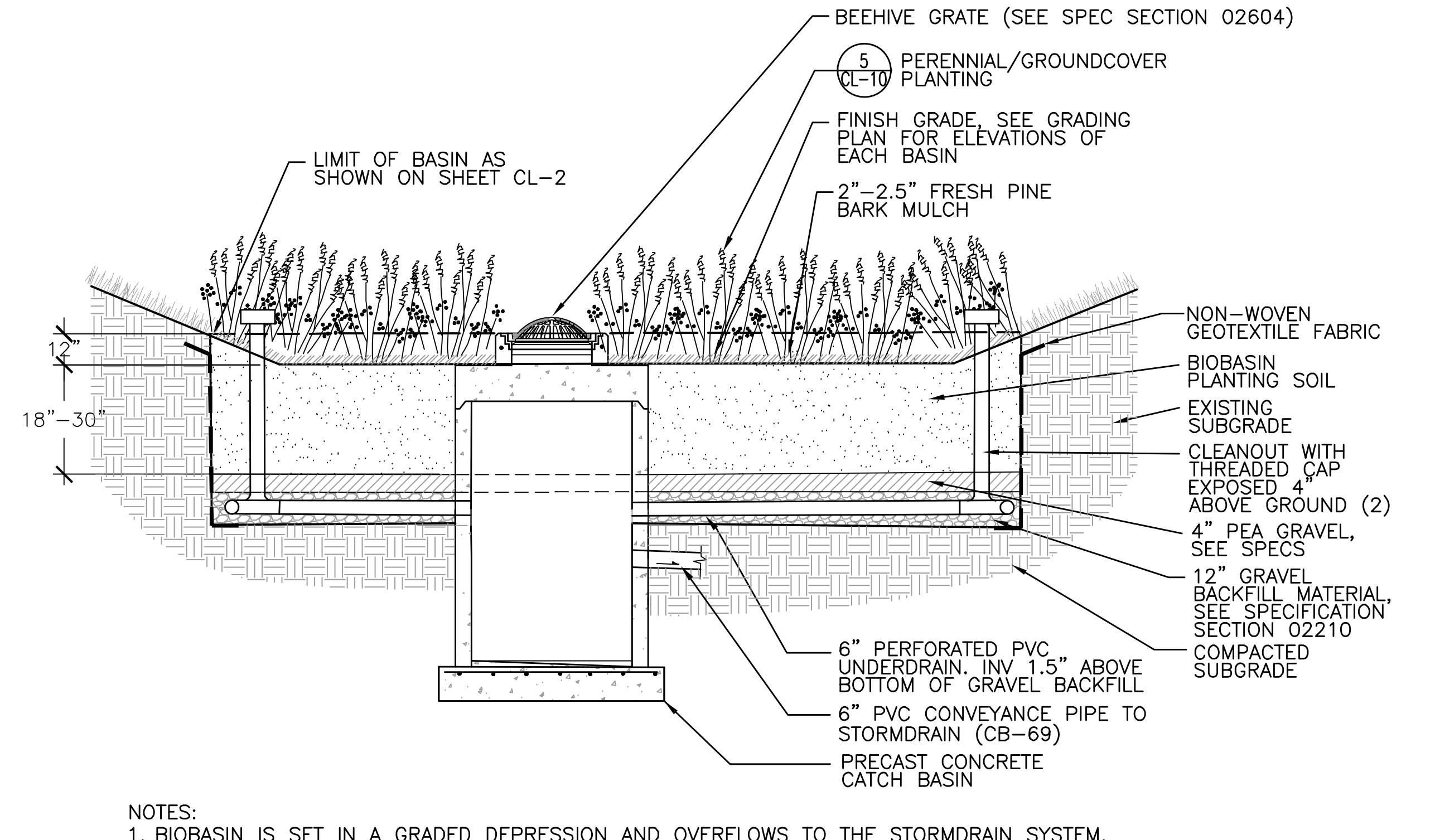
2 BIOBASIN - INLET SUMP

SCALE: NTS



NOTE:

1. PRECAST CONCRETE INLET SUMP SHALL CONFORM TO THE REQUIREMENTS OF SPEC SECTION 03411 - PRECAST CONCRETE VAULTS AND STRUCTURES.



NOTES:

1. BIOBASIN IS SET IN A GRADED DEPRESSION AND OVERFLOWS TO THE STORMDRAIN SYSTEM.
2. BIOBASIN MUST BE ESTABLISHED WITH DENSE AND HEALTHY VEGETATION PRIOR TO INTRODUCTION OF STORMWATER (SEE SPEC SECTION 02905)

1 BIOBASIN

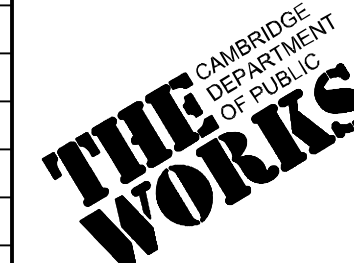
SCALE: NTS



18 Commercial St.
Salem, MA 01970
978/740-0096 (ph.)
978/740-0097 (fax)
www.bioengineering.com



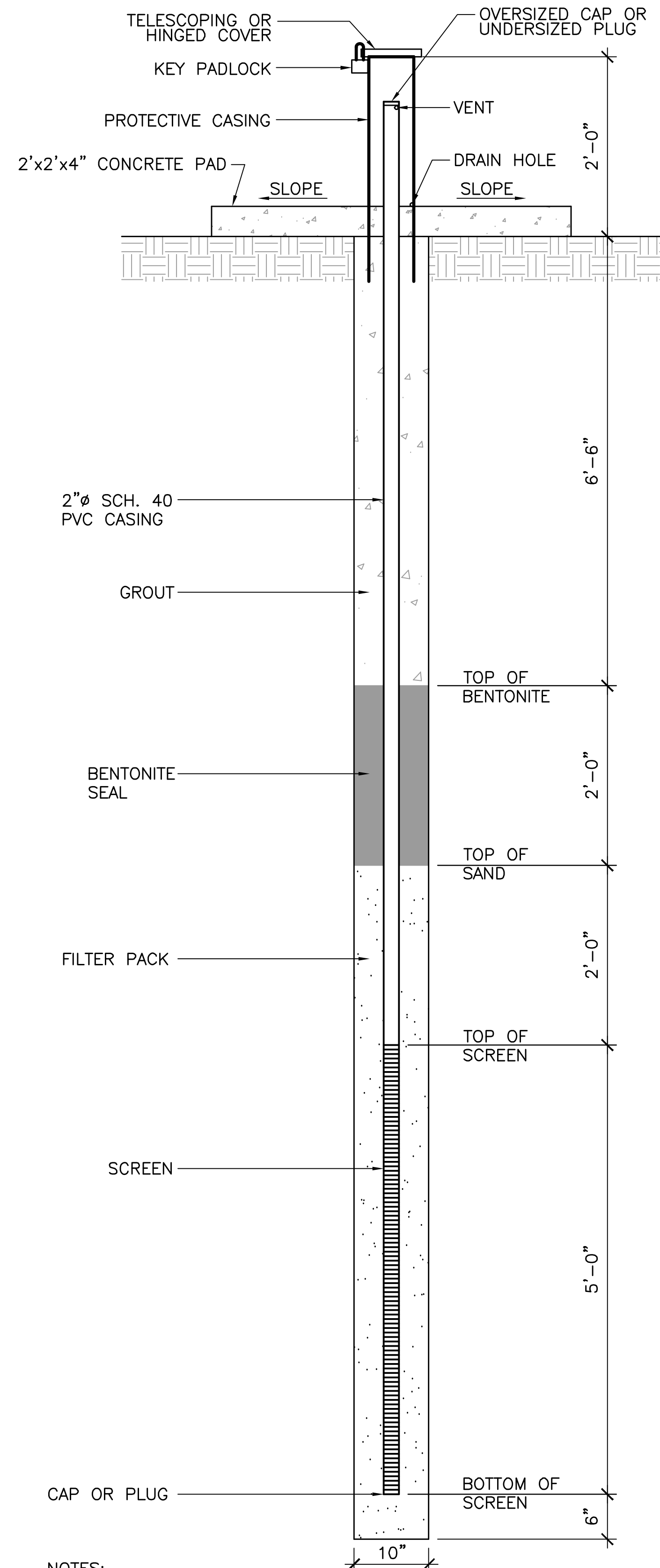
Scale	AS NOTED			
Date	JANUARY 27, 2014			
Job No.	20120256.001A			
Designed by	RG/BN			
Drawn by	AK/BJ			
Checked by	DB	No.	Description	Date
Approved by	RG/DB		REVISIONS	



Client	CITY OF CAMBRIDGE, MASSACHUSETTS	Sheet	CL-8
Project	CONCORD AVE. SEWER SEPARATION PROJECT	File No.	
	Contract No. 9		
Drawing	LOW IMPACT DEVELOPMENT - BIOBASIN DETAILS		

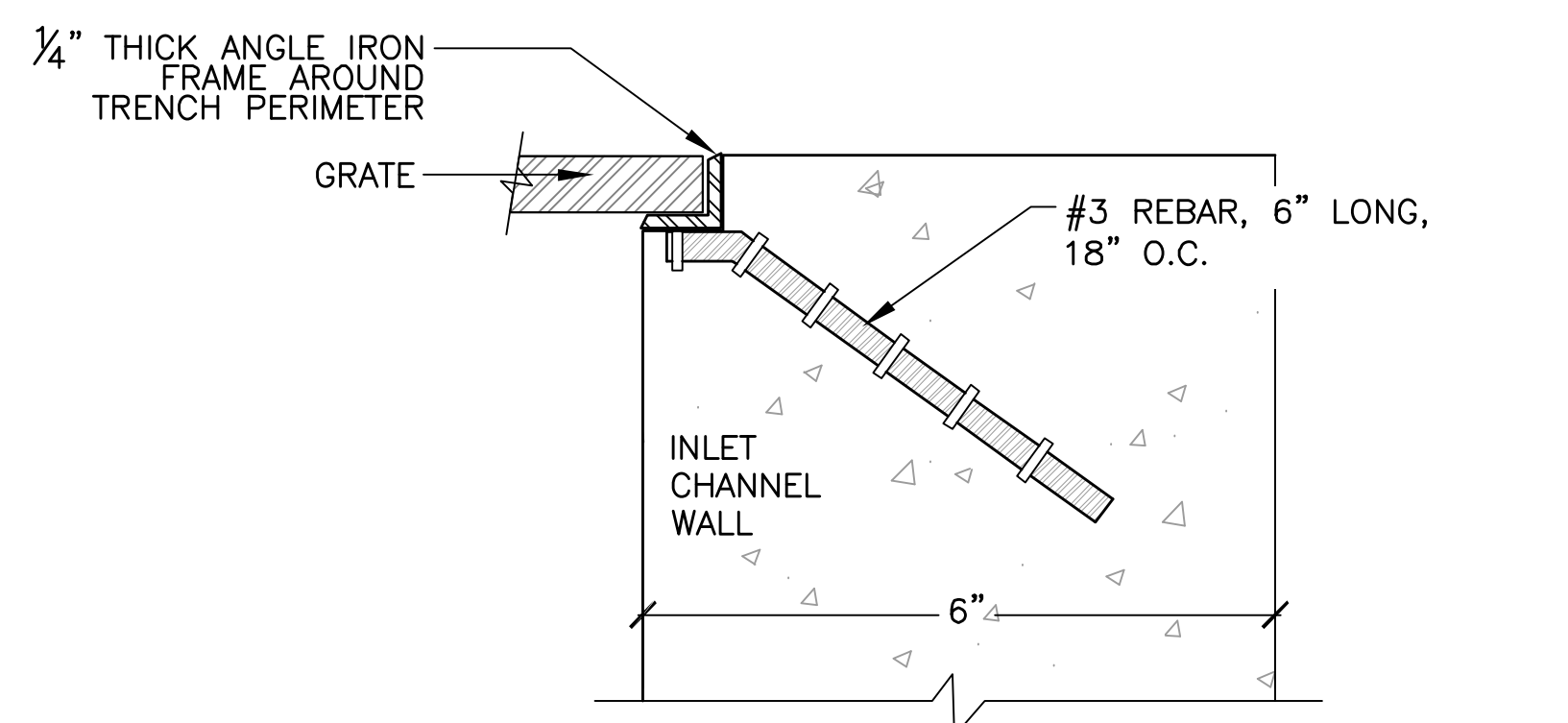
CAD FILE: P:\Projects - Active\10092.03 Concord_Ave_Contract_CL8.dwg LAYOUT: CL-8
 PLOTTED: 1/17/2014 3:01 PM BY: mshaw.kld

CAD FILE: P:\Projects - Active\10092.03 Concord_Ave_Contract_C33_Project_Execution\Reference Data\CAD_CL_9.dwg LAYOUT: CL-9 PLOTTED: 1/17/2014 3:03 PM BY: mshaw.kld

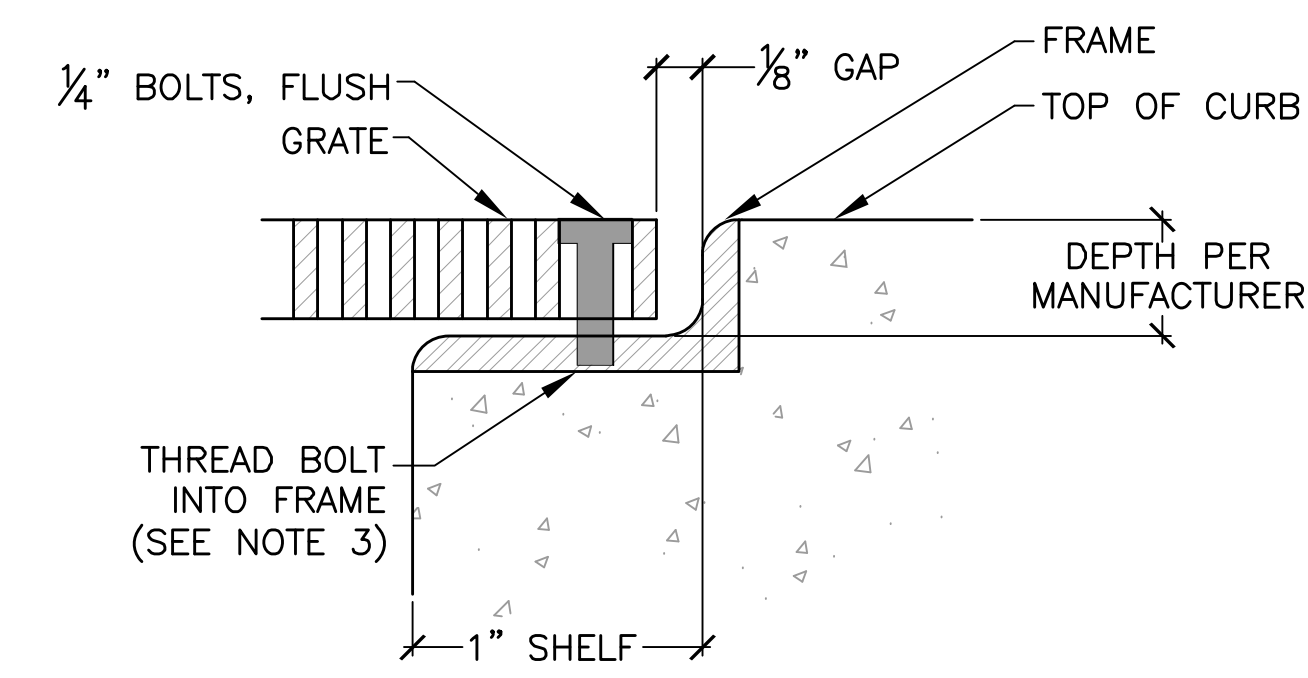


NOTES:
 1. ACTUAL LOCATION OF MONITORING WELL IN BASIN SHALL BE DETERMINED IN THE FIELD.

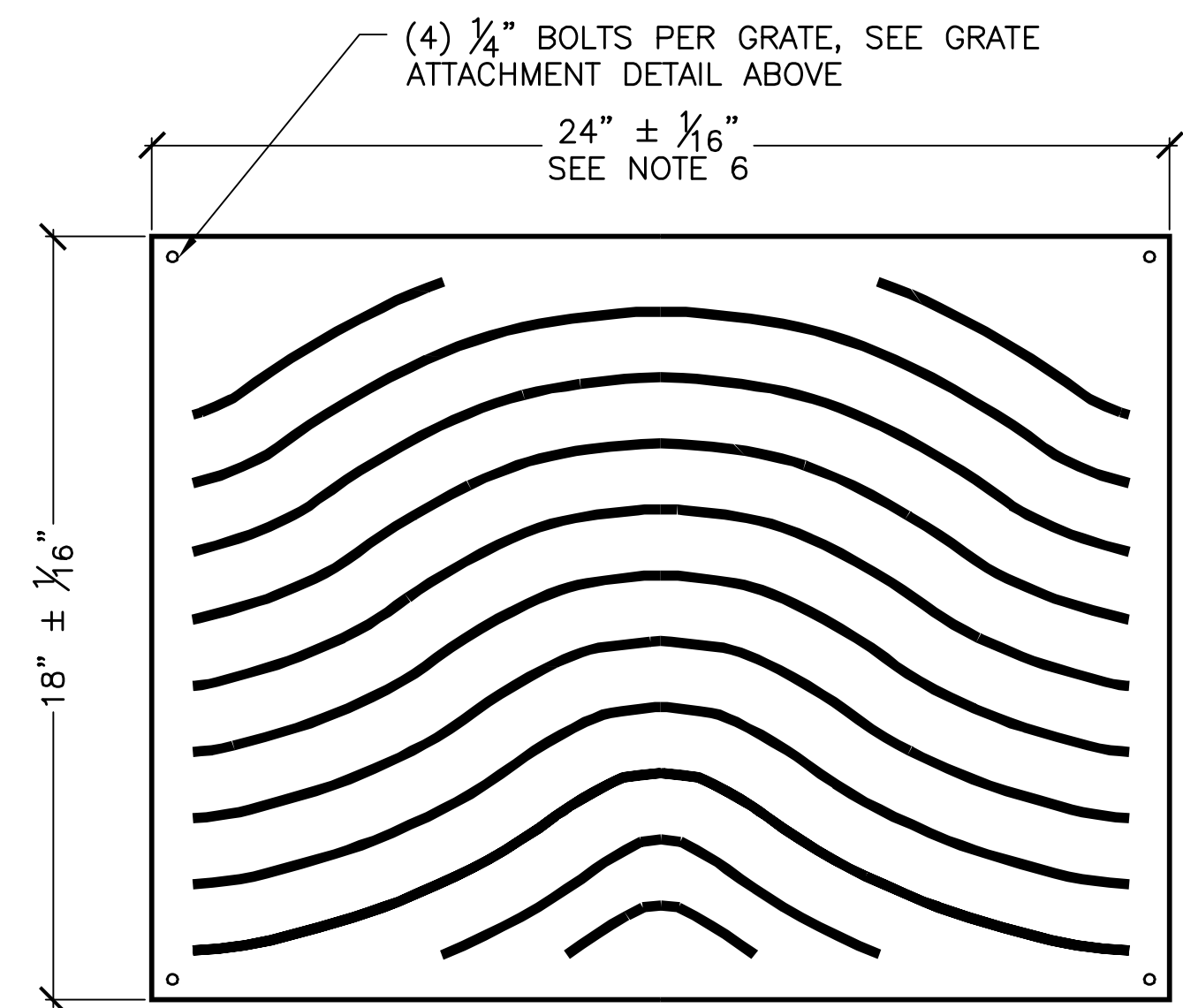
3 BIOBASIN MONITORING WELL
 SCALE: NTS



FRAME DETAIL ENLARGEMENT



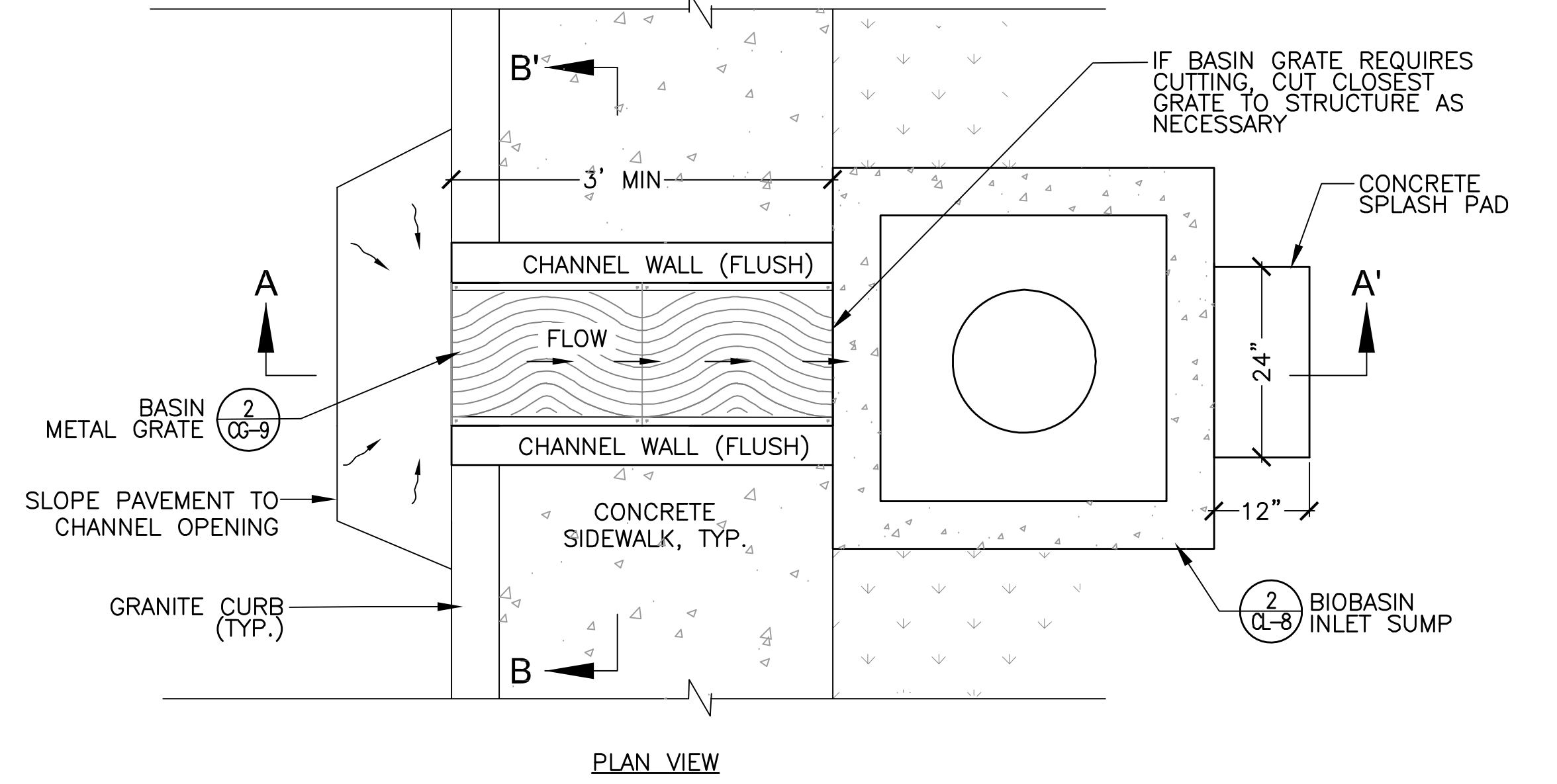
GRATE ATTACHMENT DETAIL ENLARGEMENT



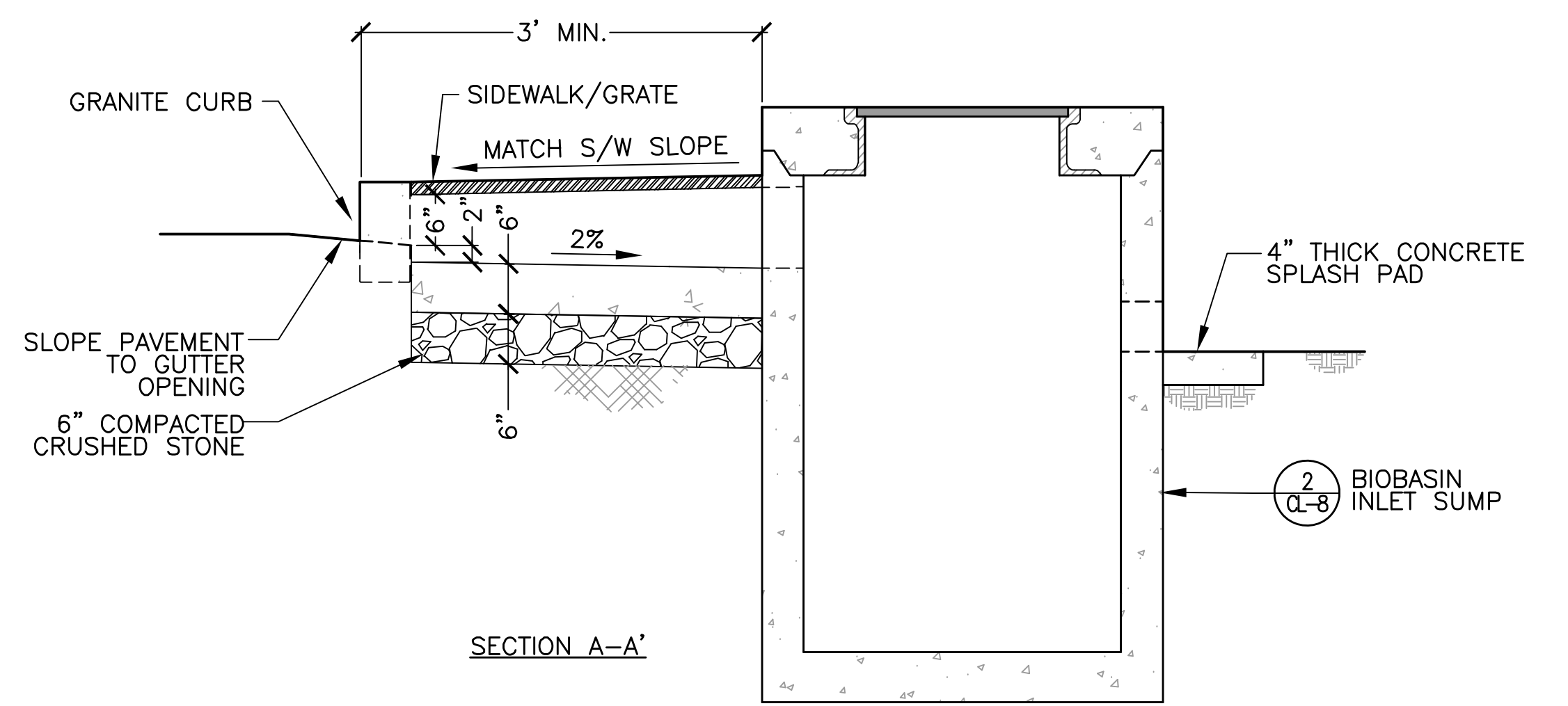
PLAN VIEW

NOTES:
 1. CAST IRON FINISH.
 2. NO OPENING GREATER THAN 3/8".
 3. PROTECT THREADED HOLES IN FRAME FROM CLOGGING DURING FRAME INSTALLATION.
 4. GRATE TO BE RATED FOR H-20 LOADING, WITH A NON-SLIP SURFACE HAVING A STATIC COEFFICIENT OF FRICTION BETWEEN 0.60 AND 1.0 PER ASTM C1020. GRATES ON INCLINES GREATER THAN 4% SHALL HAVE A COEFFICIENT OF .80 TO 1.0.
 5. WAVY GRATE AS SHOWN OR APPROVED ADA-COMPLIANT EQUIVALENT.
 6. CONTRACTOR TO VERIFY SIDEWALK WIDTHS AT BIOBASIN LOCATION TO DETERMINE CHANNEL FRAME AND GRATE TOTAL LENGTHS PRIOR TO PROCUREMENT OF MATERIALS.

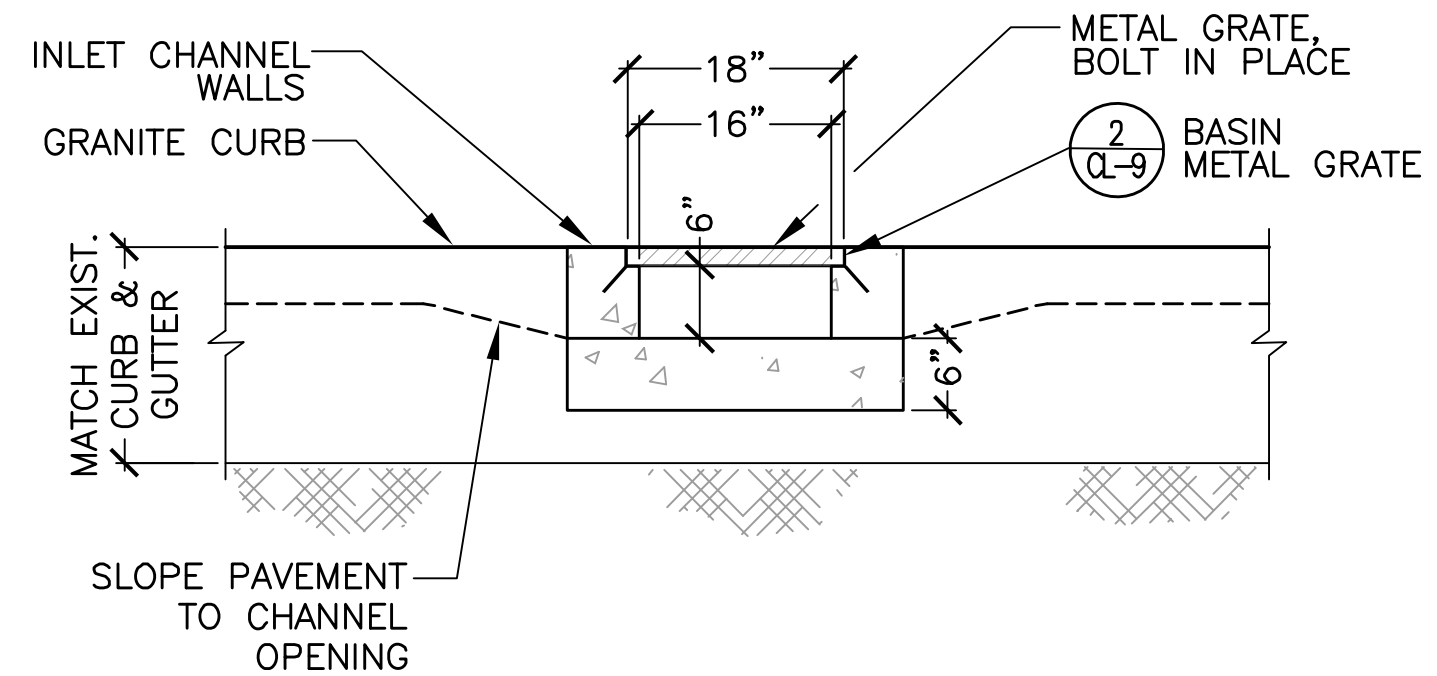
2 BIOBASIN - METAL GRATE
 SCALE: NTS



PLAN VIEW



SECTION A-A'



SECTION B-B'

1 BIOBASIN - INLET AND CHANNEL
 SCALE: NTS



18 Commercial St.
 Salem, MA 01970
 978/740-0096 (ph.)
 978/740-0097 (fax)
 www.bioengineering.com



Scale	AS NOTED			
Date	JANUARY 27, 2014			
Job No.	20120256.001A			
Designed by	RG/BN			
Drawn by	AKJB			
Checked by	DB	No.	Description	Date
Approved by	RG/DB		REVISIONS	

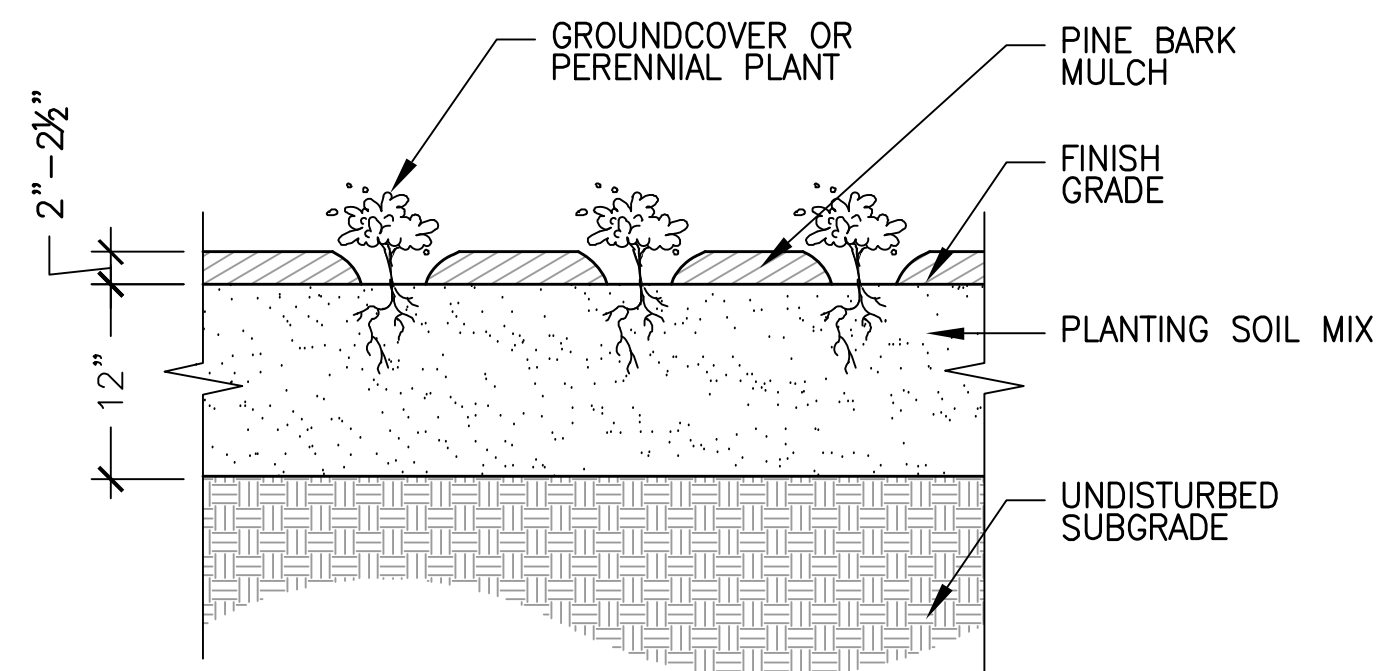


Client	CITY OF CAMBRIDGE, MASSACHUSETTS
Project	CONCORD AVE. SEWER SEPARATION PROJECT Contract No. 9
Drawing	LOW IMPACT DEVELOPMENT - BIOBASIN DETAILS

Sheet	CL-9
File No.	

NOTES:

1. CLEANLY PRUNE ALL DAMAGED BRANCHES.
2. TREE SHALL HAVE STRAIGHT TRUNK AND BE PLUMB AFTER SETTLEMENT. CONTRACTOR SHALL ADJUST AS REQUIRED OR AS DIRECTED BY OWNER'S REPRESENTATIVE.
3. ALL TREES SHALL BE FLOODED TWICE WITHIN 24 HOURS OF PLANTING.

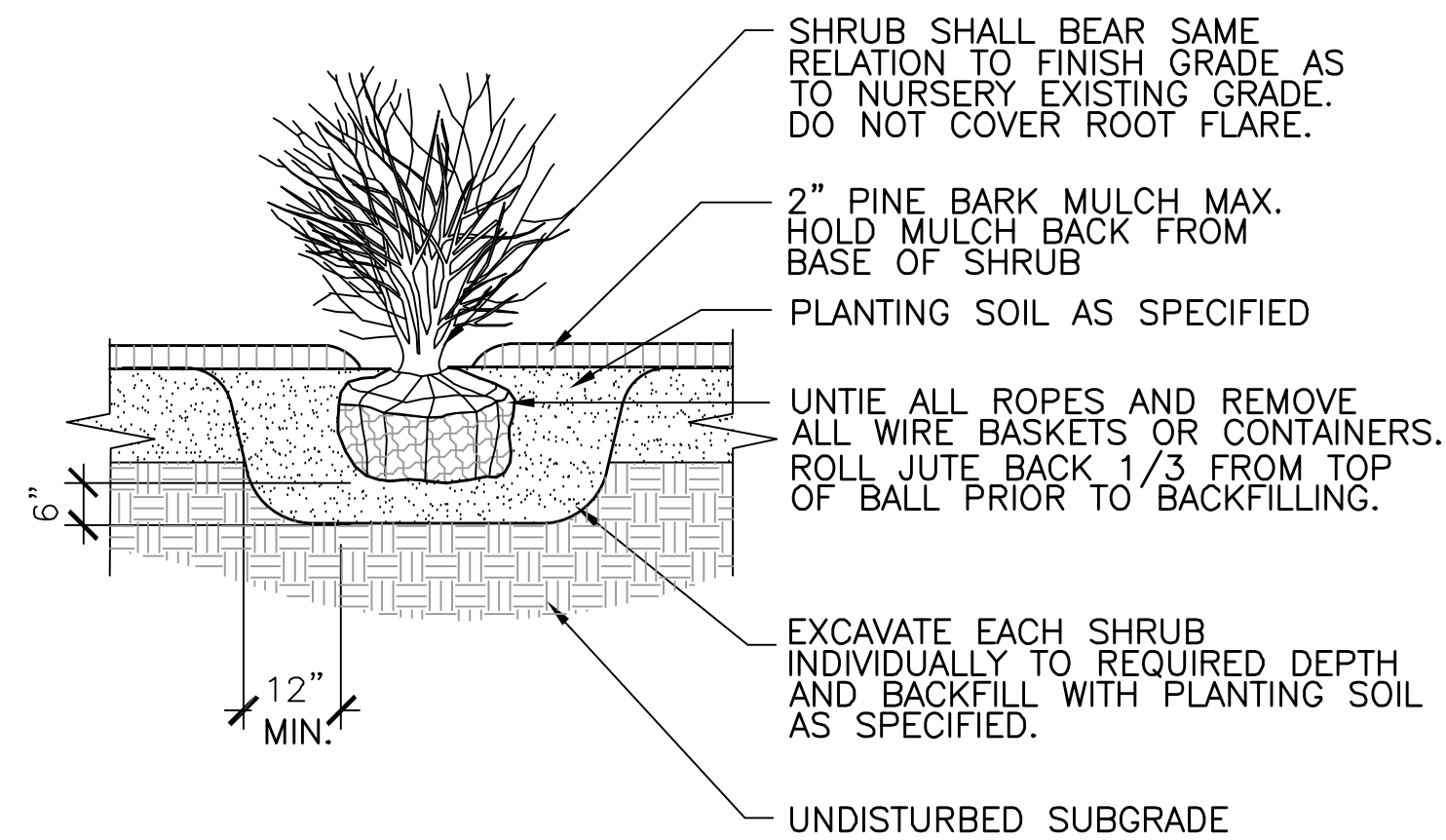


NOTE:
1. REFER TO PLANT SCHEDULE FOR SIZE AND SPACING.

5

PERENNIAL / GROUNDCOVER PLANTING

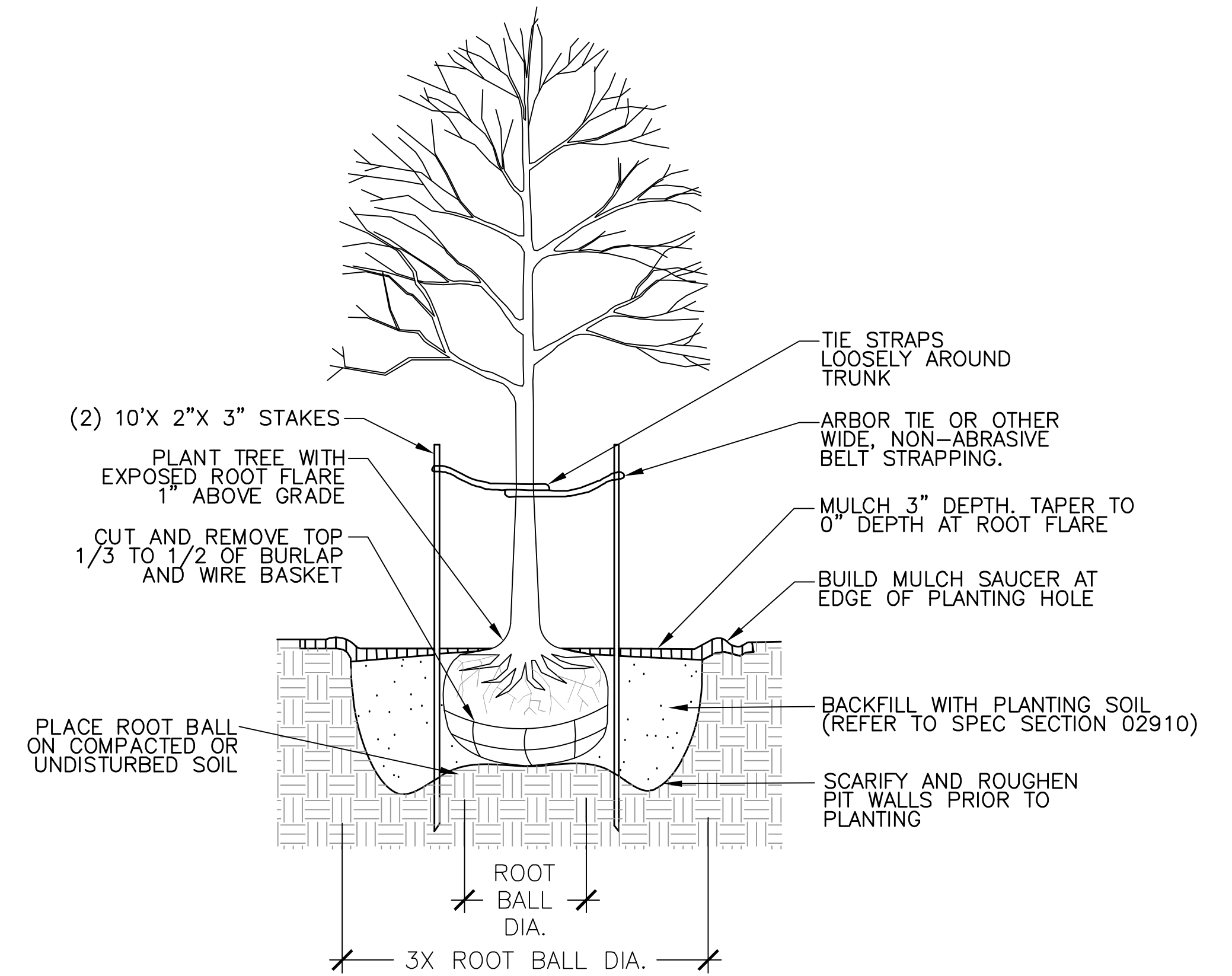
SCALE: NTS



4

SHRUB PLANTING

SCALE: NTS

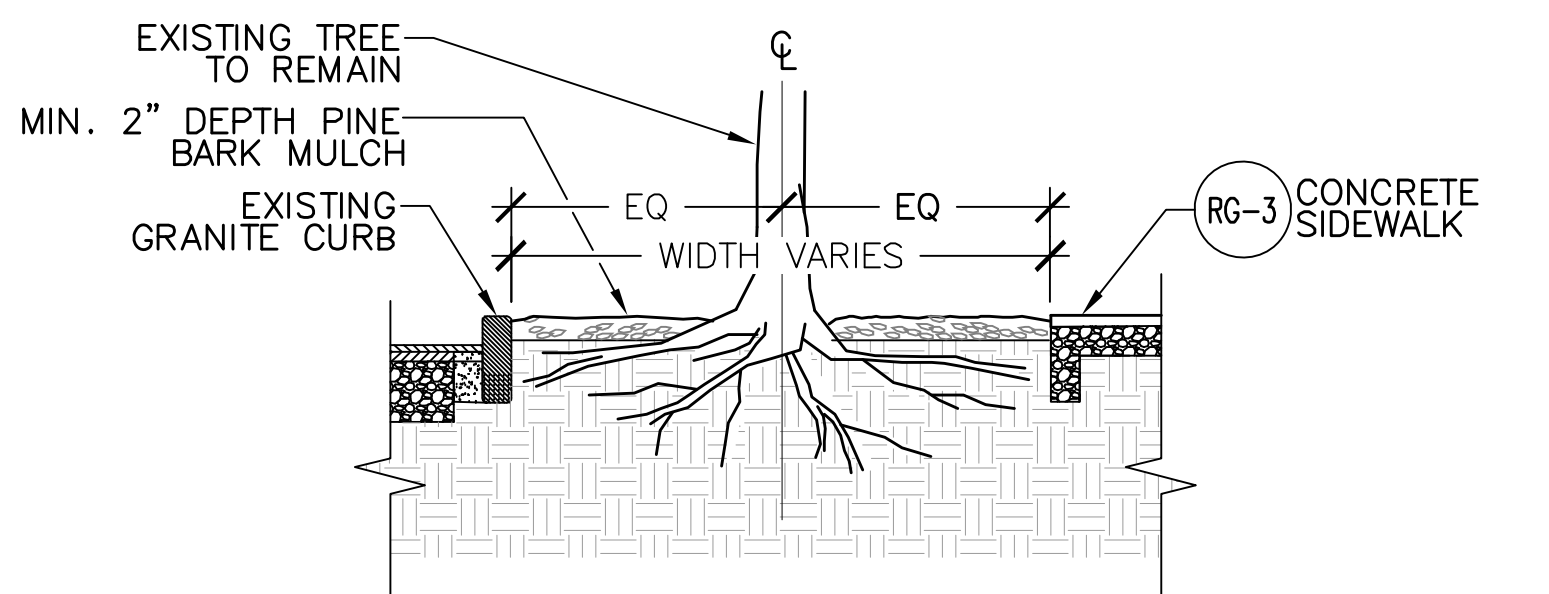
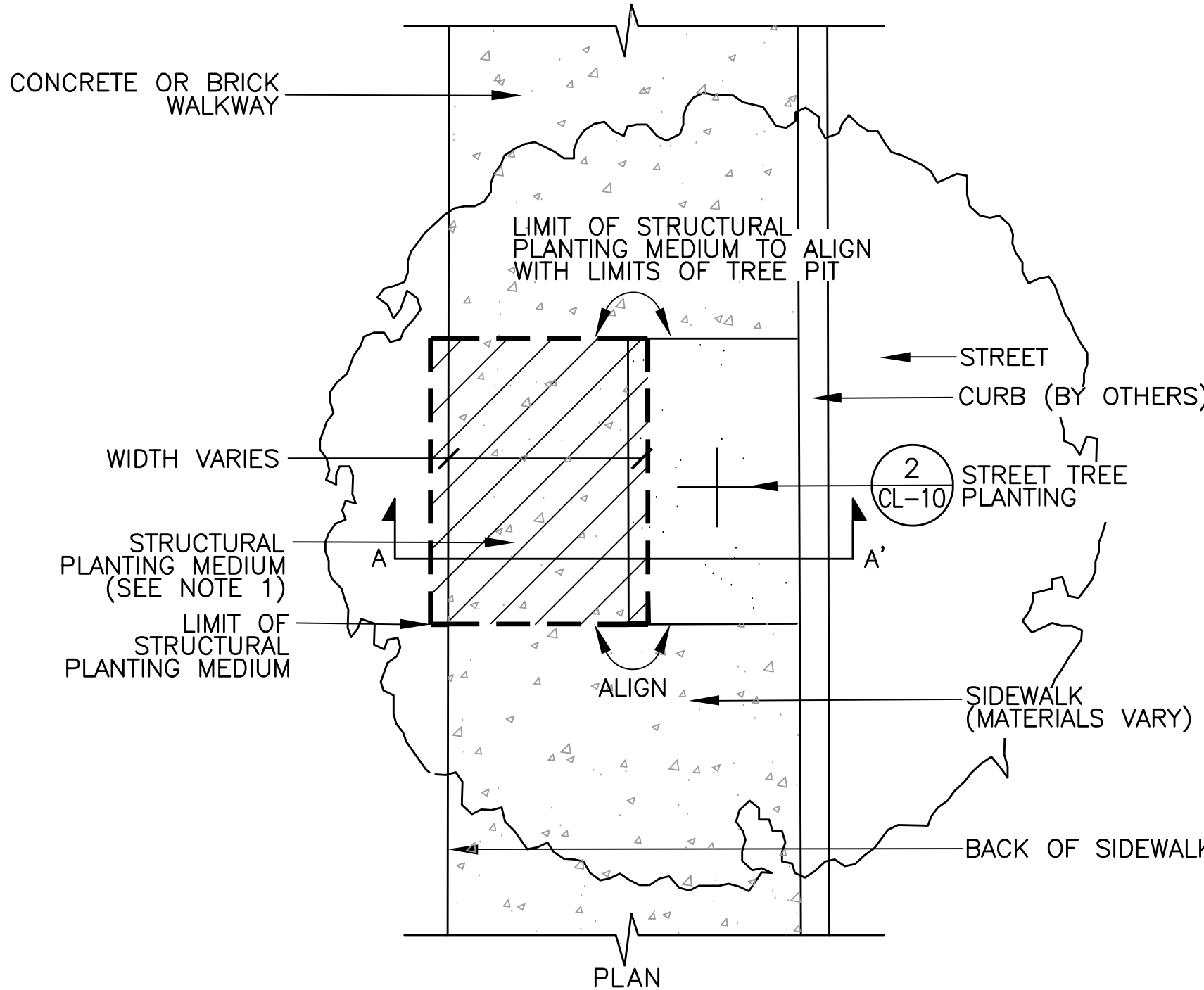
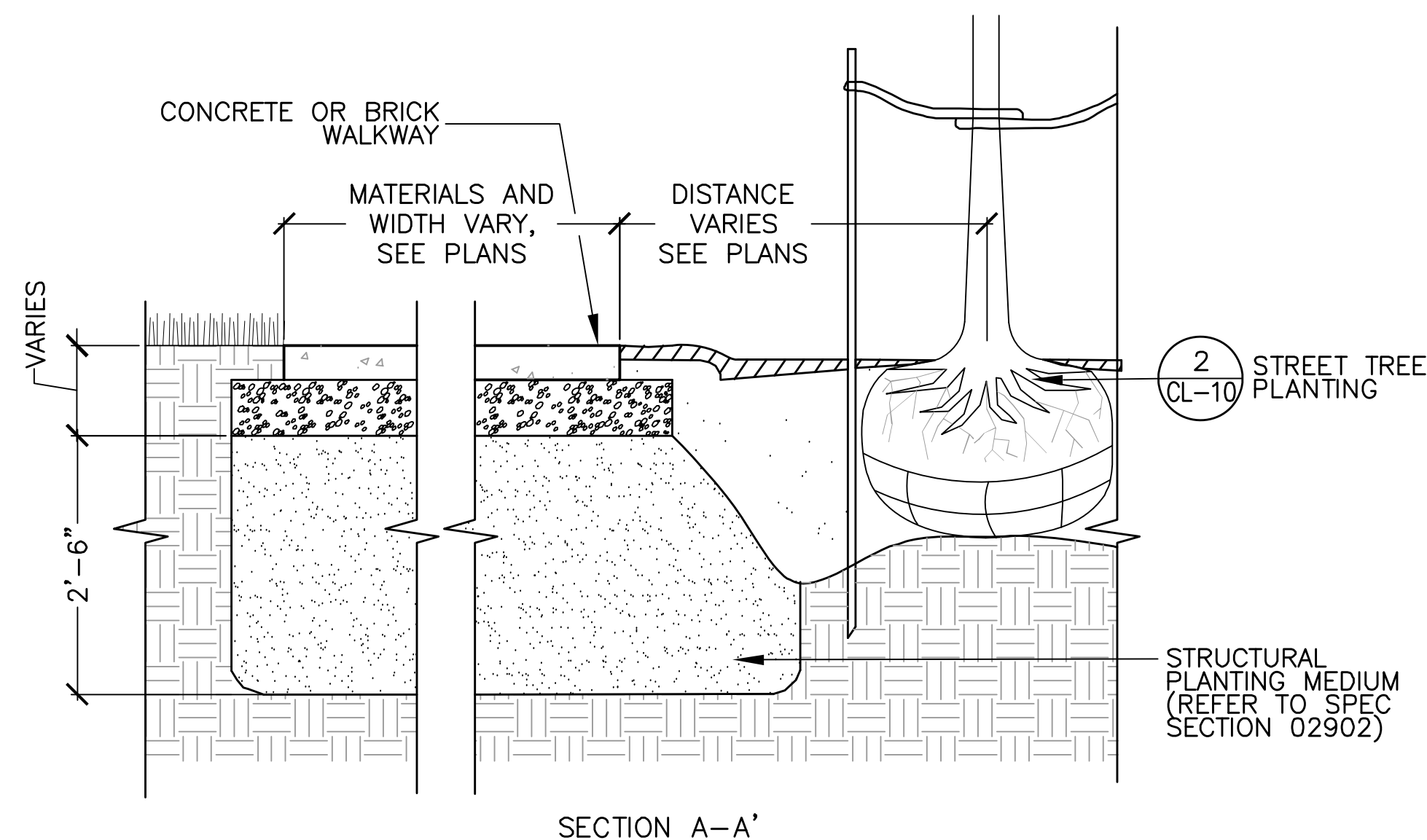


2

STREET TREE PLANTING

SCALE: NTS

NOTE:
1. CONTRACTOR SHALL PROVIDE 3.7 CY (100 CF) OF STRUCTURAL PLANTING MEDIUM PER EACH STREET TREE PLANTING (TYPES 1 & 2)



NOTE:
1. SEE SPEC. SECTION 02100 (SITE PREP. & TREE PRUNING) FOR EXISTING TREE PROTECTION AND MAINTENANCE.

1

EXISTING STREET TREE TREATMENT

SCALE: NTS

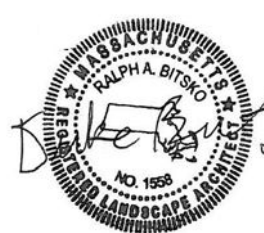
3

STRUCTURAL PLANTING MEDIUM AT STREET TREE PLANTING

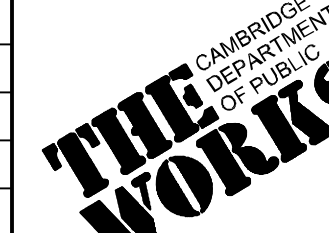
SCALE: NTS



18 Commercial St.
Salem, MA 01970
978/740-0096 (ph.)
978/740-0097 (fax)
www.bioengineering.com



Scale	AS NOTED			
Date	JANUARY 27, 2014			
Job No.	20120256.001A			
Designed by	JB			
Drawn by	AK/JB			
Checked by	DB	No.	Description	Date
Approved by	DB		REVISIONS	



Client	CITY OF CAMBRIDGE, MASSACHUSETTS	Sheet	CL-10
Project	CONCORD AVE. SEWER SEPARATION PROJECT	File No.	
	Contract No. 9		
Drawing	LOW IMPACT DEVELOPMENT - PLANTING DETAILS		

CAD FILE: P:\Projects - Active\10092.03 Concord_Ave_Contract_C3_Project_Execution\Reference Data\CAD_CL_10.dwg PLOTTED: 1/17/2014 3:04 PM BY: mshaw.kad LAYOUT: CL-10

CAD FILE: P:\Projects - Active\10392\03 Concord_Ave_Contract_C03_Project_Execution\Reference Data\CAD\CL_11.dwg LAYOUT: CL-11
 PLOTTED: 1/17/2014 3:05 PM BY: mshaw.kad

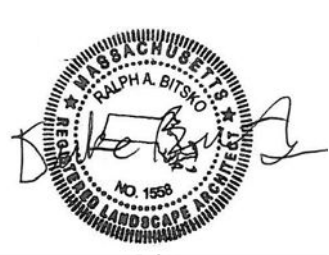
STREET TREES (TYPE I)						
QTY. TOTAL	SYM.	SCIENTIFIC NAME	COMMON NAME	MINIMUM SIZE	MIN. ROOT BALL DIA.	COMMENTS
8	AR1	Acer rubrum	Red Maple	3" cal.	32"	B&B
8	AR2	Acer rubrum 'Armstrong'	Armstrong Red Maple	3" cal.	32"	B&B
10	GB	Ginkgo biloba	Ginkgo	3" cal.	32"	B&B, Fruitless
1	GD	Gymnocladus dioicus	Kentucky Coffeetree	3" cal.	32"	B&B
12	GT	Gleditsia triacanthos var. inermis	Honeylocust	3" cal.	32"	B&B
8	PA	Platanus x acerifolia	London Planetree	3" cal.	32"	B&B
10	QR	Quercus rubra	Red Oak	3" cal.	32"	B&B
1	TT	Tilia tomentosa	Silver Linden	3" cal.	32"	B&B
14	UA	Ulmus americana 'Princeton'	Princeton American Elm	3" cal.	32"	B&B, Disease resistant variety
72	TOTAL					
STREET TREES (TYPE II)						
QTY. TOTAL	SYM.	SCIENTIFIC NAME	COMMON NAME	MINIMUM SIZE	MIN. ROOT BALL DIA.	COMMENTS
15	AC	Acer campestre	Hedge Maple	3" cal.	32"	B&B
10	AG	Amelanchier grandifolia	Apple Serviceberry	10' Ht.	32"	B&B, Single stem
12	CC	Cercis canadensis	Eastern Redbud	3" cal.	24"	B&B
9	PK	Prunus serrulata 'Kwanzan'	Kwanzan Cherry	3" cal.	32"	B&B
1	PS	Prunus serrulata 'Snowgoose'	Snowgoose Cherry	3" cal.	32"	B&B
3	PX	Prunus x incam 'Okame'	Okame Cherry	3" cal.	24"	B&B
4	PY	Prunus x yedoensis 'Akebono'	Akebono Cherry	3" cal.	24"	B&B
1	SR	Syringa reticulata	Japanese Tree Lilac	3" cal.	24"	B&B
55	TOTAL					
EVERGREEN SCREENING						
QTY. TOTAL	SYM.	SCIENTIFIC NAME	COMMON NAME	MINIMUM SIZE	MIN. ROOT BALL DIA.	COMMENTS
58	IG	Ilex glabra 'Compacta'	Compact Inkberry	3' ht.	24"	#10 cont.
27	RG	Rhododendron 'Aglo'	Aglo Rhododendron	3' ht.	24"	#10 cont.
85	TOTAL					

DECIDUOUS TREES						
QTY. TOTAL	SYM.	SCIENTIFIC NAME	COMMON NAME	MINIMUM SIZE	MIN. ROOT BALL DIA.	COMMENTS
4	AG	Amelanchier grandifolia	Apple Serviceberry	10' Ht.	32"	B&B, Single stem
2	AR1	Acer rubrum	Red Maple	3" cal.	32"	B&B
6	BN	Betula nigra 'Heritage'	River Birch	12' clump	52"	3-5 Stems
1	GB	Ginkgo biloba	Ginkgo	3" cal.	32"	B&B, Fruitless
3	GT	Gleditsia triacanthos var. inermis	Honeylocust	3" cal.	32"	B&B
1	PA	Platanus x acerifolia	London Planetree	3" cal.	32"	B&B
3	PY	Prunus x yedoensis 'Akebono'	Akebono Cherry	3" cal.	24"	B&B
5	QR	Quercus rubra	Red Oak	3" cal.	32"	B&B
2	SR	Syringa reticulata	Japanese Tree Lilac	3" cal.	24"	B&B
27	TOTAL					
DECIDUOUS SHRUBS						
QTY. TOTAL	SYM.	SCIENTIFIC NAME	COMMON NAME	MINIMUM SIZE	CONTAINER CLASS	COMMENTS
40	CAH	Clethra alnifolia 'Hummingbird'	Hummingbird Summersweet	2-3' ht.	#7	
2	CD	Cornus sericea	Redosier Dogwood	3-4' ht.	#5	5 Canes Minimum
9	FG	Fothergilla gardenii	Dwarf Fothergilla	2-3' ht.	#5	
42	HB	Hydrangea 'Blue Wave'	Blue Wave Lacecap Hydrangea	3' ht.	#7	
14	HN	Hydrangea 'Nikko Blue'	Nikko Blue Hydrangea	3' ht.	#7	
13	IVR	Ilex verticillata 'Red Sprite'	Red Sprite Winterberry	3-4' ht.	#7	
2	IVJ	Ilex verticillata 'Jim Dandy'	Jim Dandy Winterberry	3-4' ht.	#10	
170	IL	Itea virginica 'Little Henry'	Little Henry Sweetspire	2-3' ht.	#5	
57	RA	Rhus aromatica 'Gro-Low'	Gro-Low Fragrant Sumac	2-3' ht.	#5	
17	XS	Xanthorhiza simplicissima	Yellowroot	18" ht.	#2	
366	TOTAL					
GRASSES, PERENNIALS, AND FERNS						
QTY. TOTAL	SYM.	SCIENTIFIC NAME	COMMON NAME	MINIMUM SIZE	CONTAINER CLASS	COMMENTS
22	CK	Calamagrostis x acutifolia 'Karl Foerster'	Karl Foerster Feather Reed Grass		#2	15" O.C.
122	EP	Eupatorium purpureum 'Magnus'	Joe Pye Weed		#1	12" O.C.
148	HF	Hemerocallis fulva 'Stella D'Oro'	Stella D'Oro Daylily		#1	15" O.C.
188	HH	Hosta 'Hadspen Blue'	Hadspen Blue Hosta		#1	18" O.C.
100	JE	Juncus effusus	Soft Rush		Quart	12" O.C.
118	NW	Nepeta x faassenii 'Walker's Low'	Walker's Low Catmint		#1	15" O.C.
52	PH	Panicum virgatum 'Heavy Metal'	Heavy Metal Switchgrass		#2	15" O.C.
118	PS	Panicum virgatum 'Shenandoah'	Shenandoah Switchgrass		#2	15" O.C.
868	TOTAL					

PLANT SCHEDULE



18 Commercial St.
Salem, MA 01970
978/740-0096 (ph.)
978/740-0097 (fax)
www.bioengineering.com



Scale	AS NOTED			
Date	JANUARY 27, 2014			
Job No.	20120256.001A			
Designed by	JB			
Drawn by	AKJB			
Checked by	DB	No.	Description	Date
Approved by	DB		REVISIONS	



Client	CITY OF CAMBRIDGE, MASSACHUSETTS
Project	CONCORD AVE. SEWER SEPARATION PROJECT Contract No. 9
Drawing	LOW IMPACT DEVELOPMENT - PLANT SCHEDULE

Sheet	CL-11
File No.	