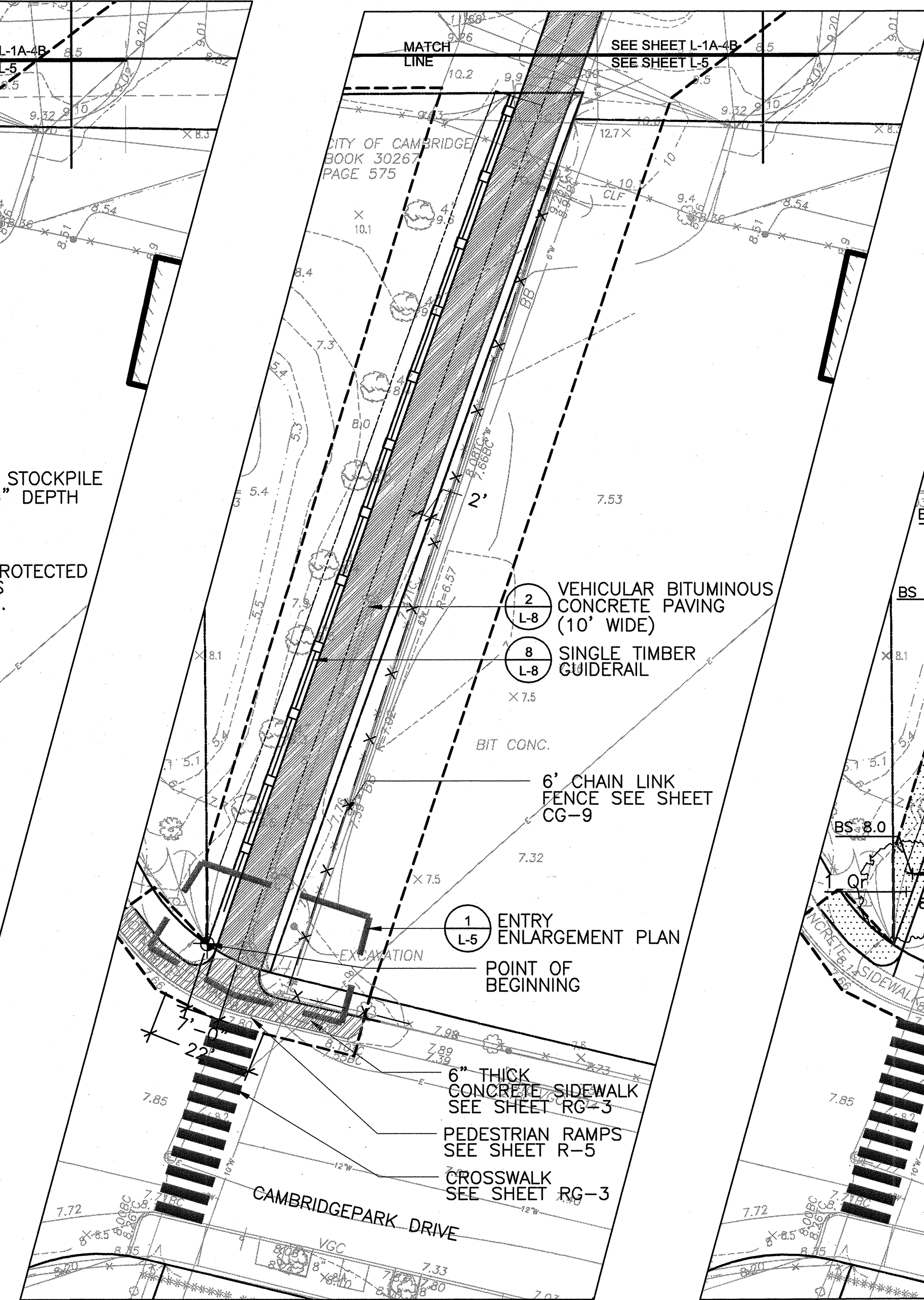


LEGEND

- PROPERTY LINE
- - - - - LIMIT OF WORK
- x-x-x-x- EXISTING FENCE TO BE REMOVED
- o-o-o-o- SILT FENCE AND STRAW BALES
- ⊙ EXISTING TREE TO BE PROTECTED AND PRUNED AS NECESSARY
- ▒ EXISTING SHRUBS TO BE REPLANTED (SEE NOTE 1)
- ▒ STRIP & STOCKPILE EXISTING TOPSOIL

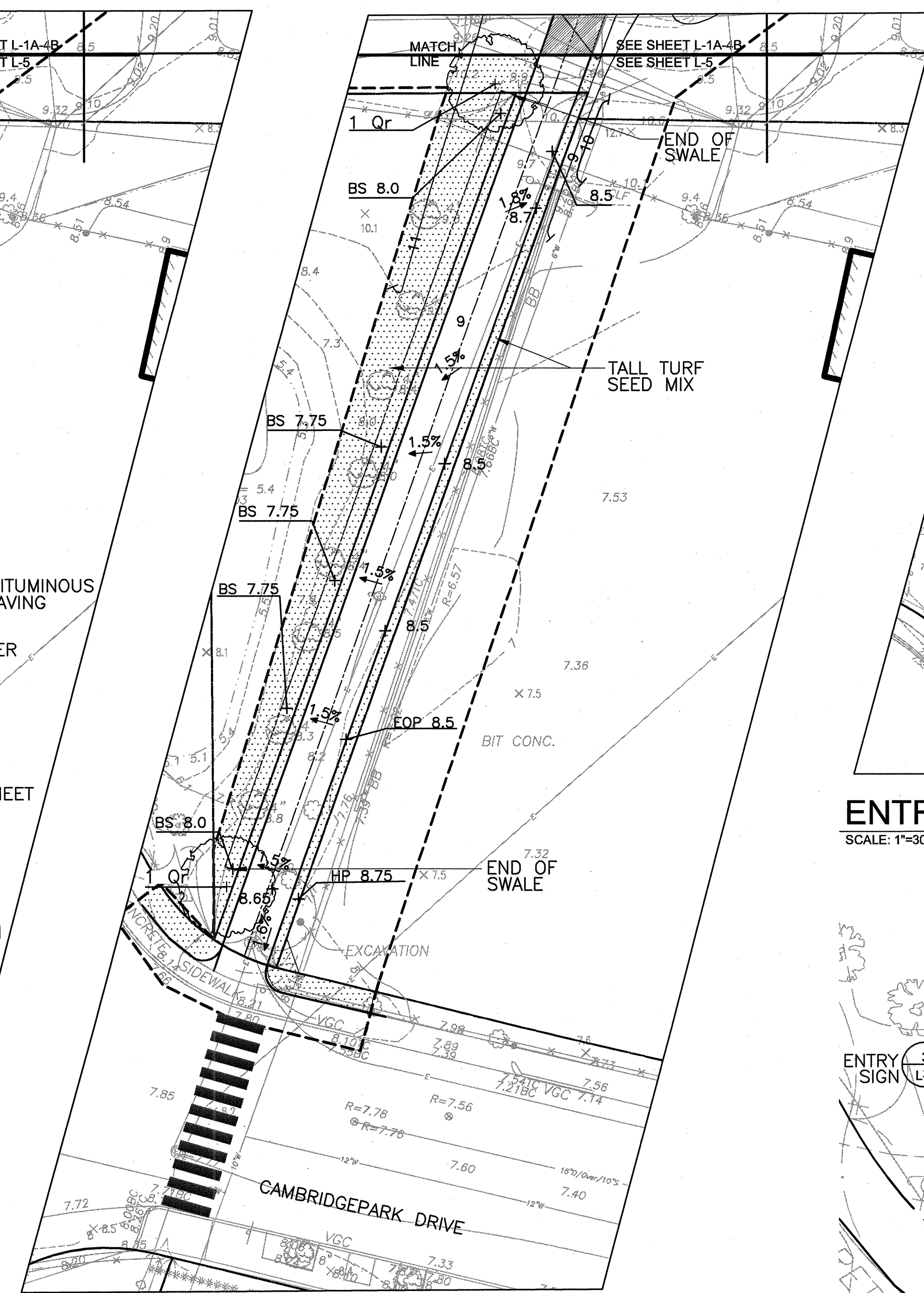
ENTRY: SITE PREP/EROSION CONTROL
SCALE: 1"=20'



LEGEND

- PROPERTY LINE
- - - - - LIMIT OF WORK
- o-o-o-o- SINGLE TIMBER GUIDERAIL
- x-x-x-x- 6' HT CHAIN LINK FENCE
- ▒ VEHICULAR BITUMINOUS CONCRETE PAVEMENT
- ▒ CONCRETE SIDEWALK
- ⊙ POINT OF BEGINNING

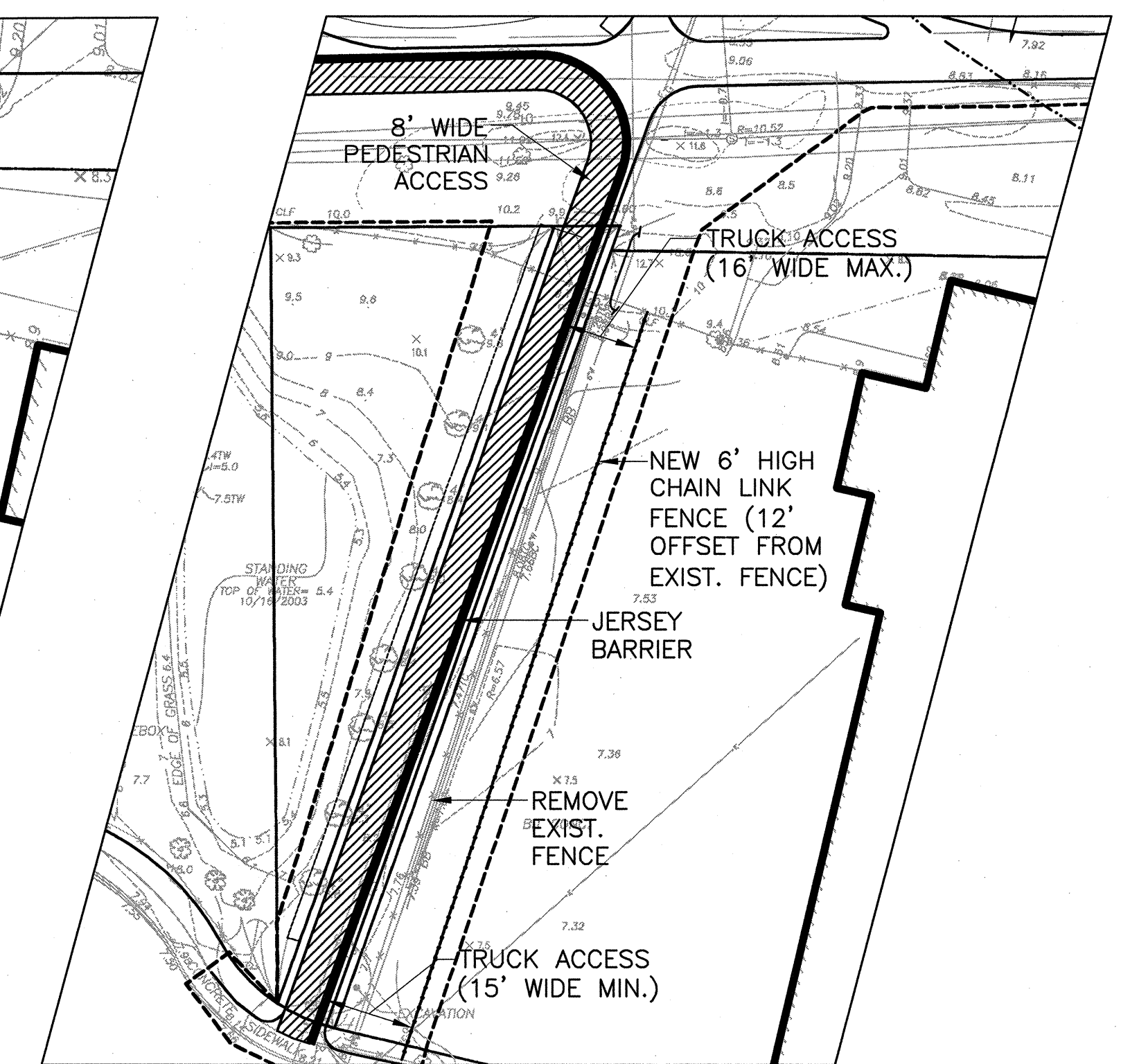
ENTRY: LAYOUT AND MATERIALS
SCALE: 1"=20'



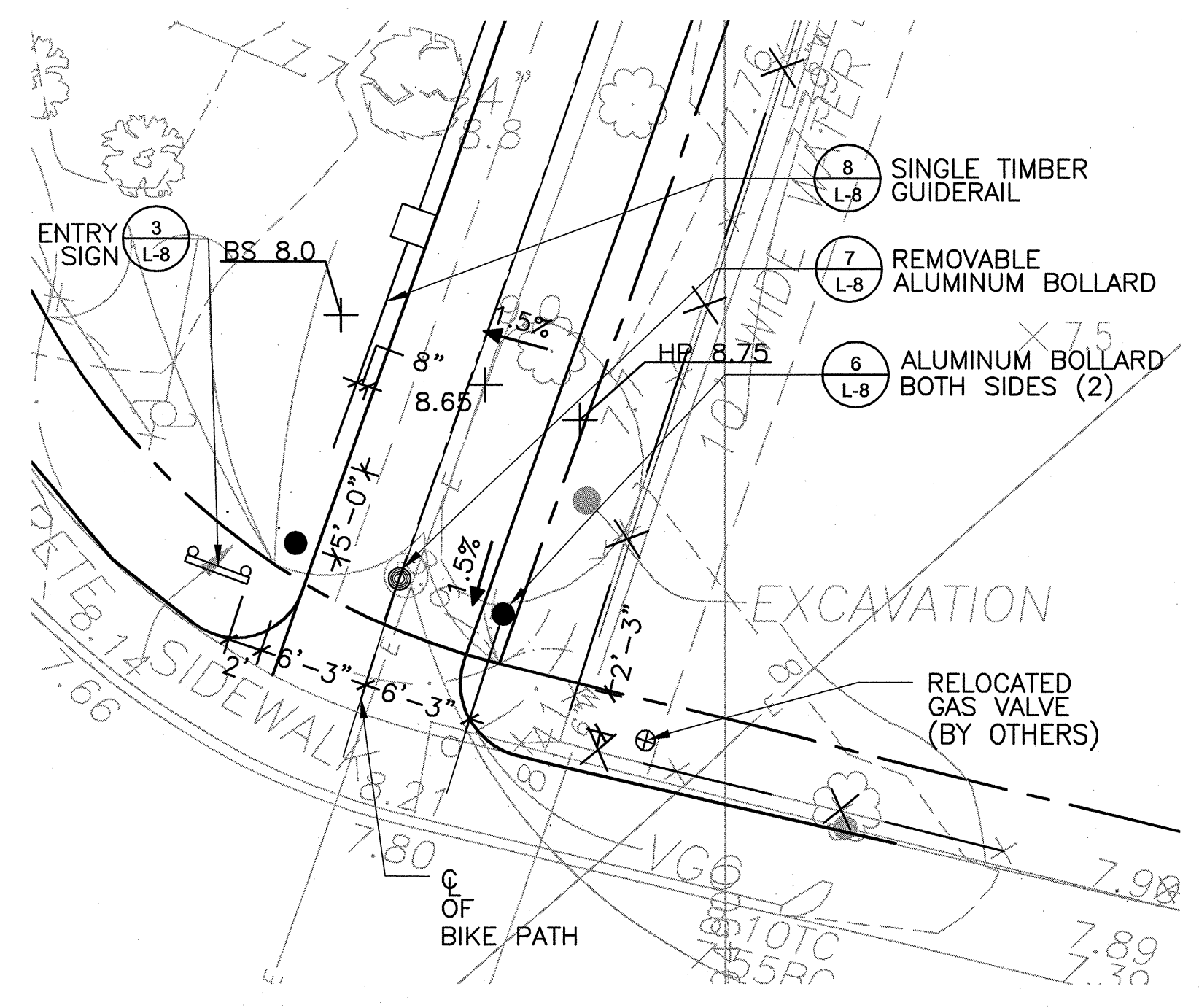
LEGEND

- PROPERTY LINE
- - - - - LIMIT OF WORK
- PROPOSED MAJOR CONTOUR
- PROPOSED MINOR CONTOUR
- EXISTING CONTOUR
- SPOT ELEVATION
- +HP 3.4 HIGH POINT
- +EOP 2.5 EOP (EDGE OF PAVEMENT)
- +BS 2.5 BOTTOM OF SWALE
- 2.5% SLOPE
- +LP 1.8 LOW POINT
- TR TOP OF RAMP
- +BR 1.8 BOTTOM OF RAMP
- TALL TURF SEED MIX
- ⊙ SPECIMEN TREE

ENTRY : GRADING AND PLANTING PLAN
SCALE: 1"=20'



ENTRY : ACCESS TO SITE FOR CONSTRUCTION
SCALE: 1"=30'

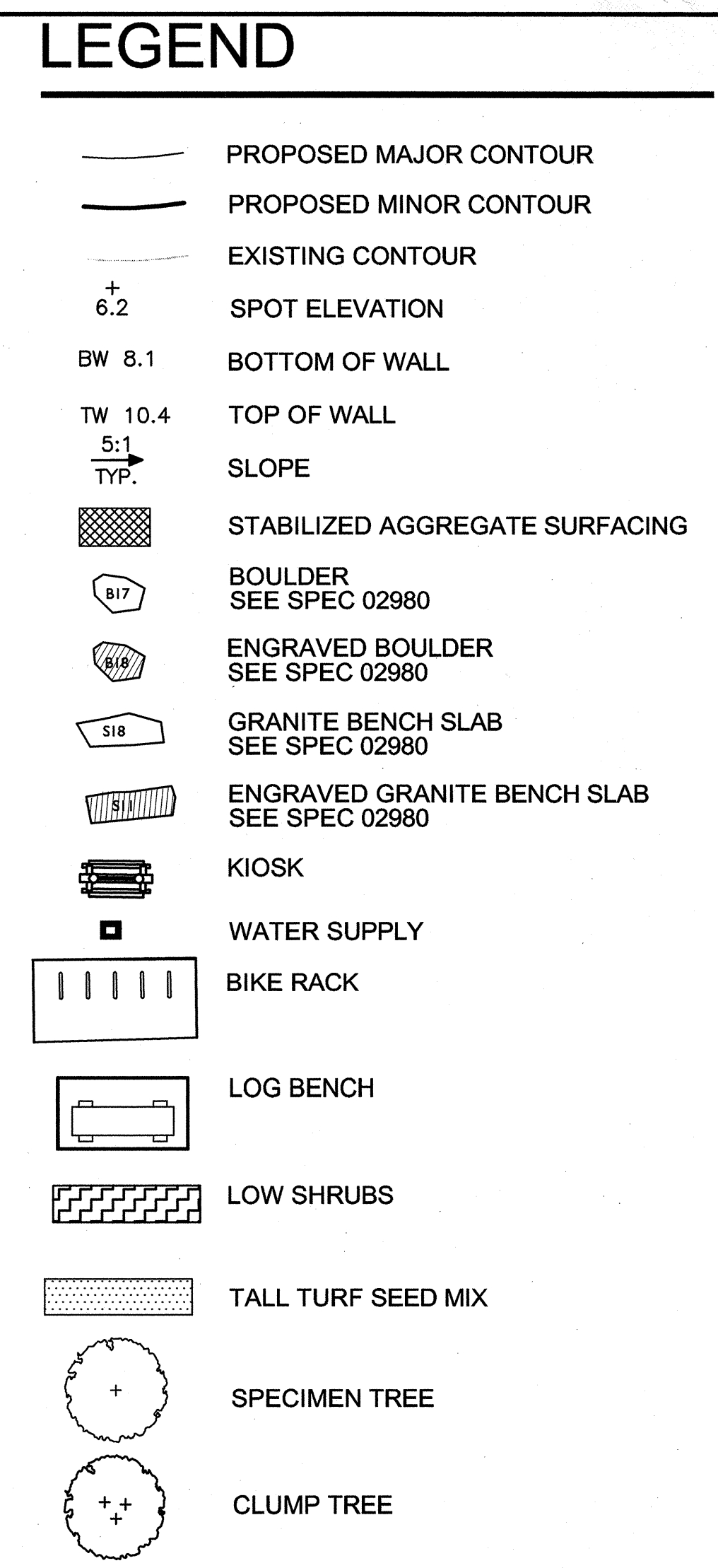
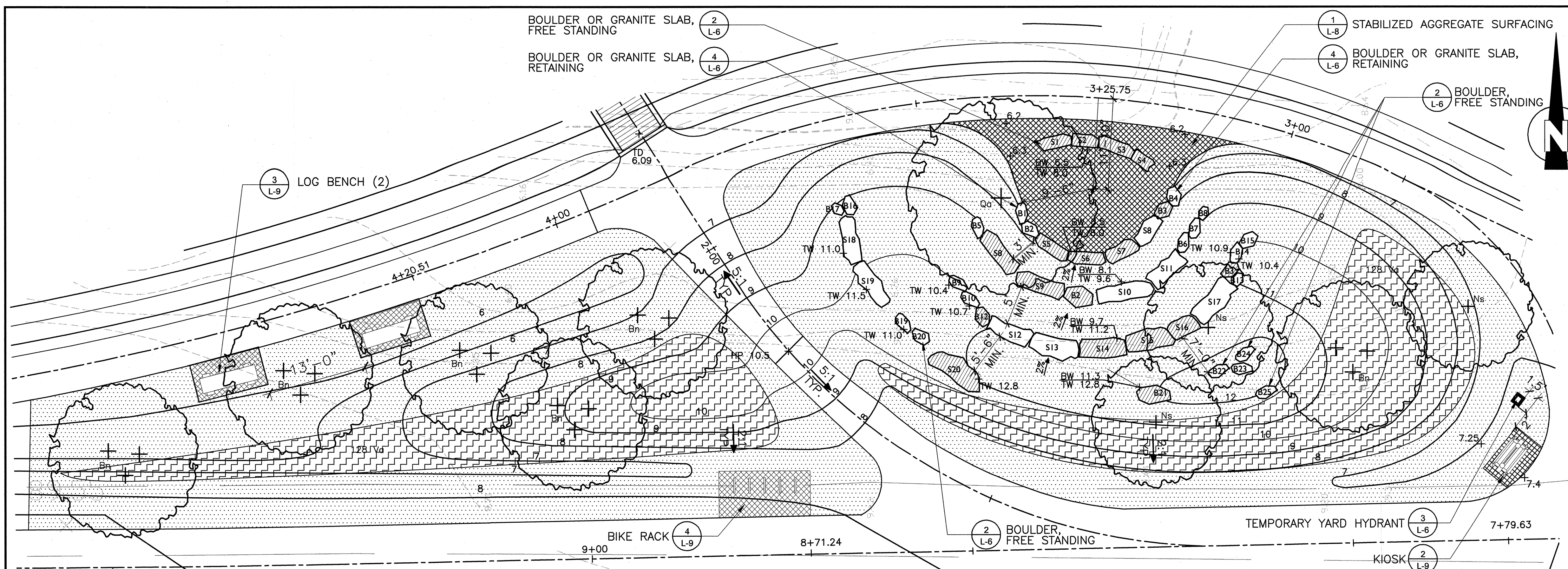


1 ENTRY ENLARGEMENT PLAN
SCALE: 1/8"=1'

- NOTES:**
- UTILITY POLES TO BE RELOCATED BY OTHERS.
 - CONTRACTOR TO SET REPLACEMENT FENCE ON PROPERTY LINE.

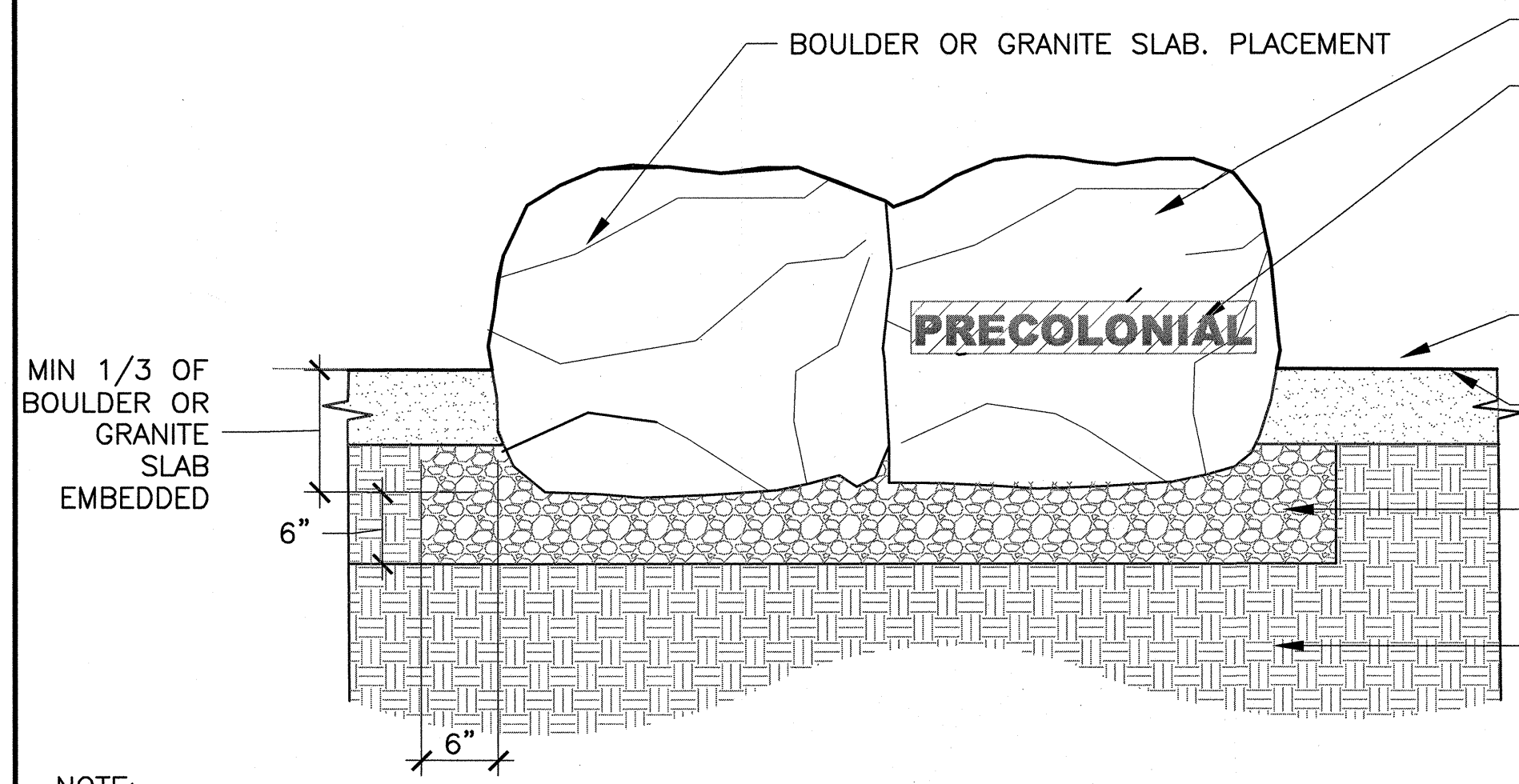
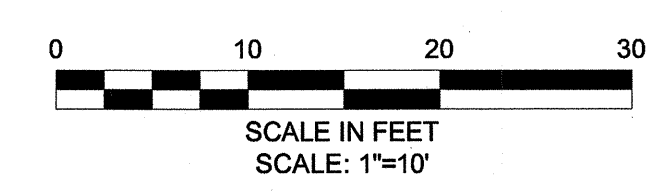
CONFORMED SET

Scale	AS NOTED			
Date	SEPTEMBER 1, 2010			
Job No.	CAM			
Designed by	EJW			
Drawn by	MKO			
Checked by	RWG/KB	No.	Description	Date
Approved by	RWG		REVISIONS	



1 AMPHITHEATRE ENLARGEMENT

SCALE: 1"=10'



NOTE:
1. SEE SPEC 02980-SITE IMPROVEMENTS FOR HEIGHT AND WIDTH OF BOULDERS AND TEXT AND GRAPHICS REQUIREMENT FOR ENGRAVED BOULDERS AND GRANITE SLAB.

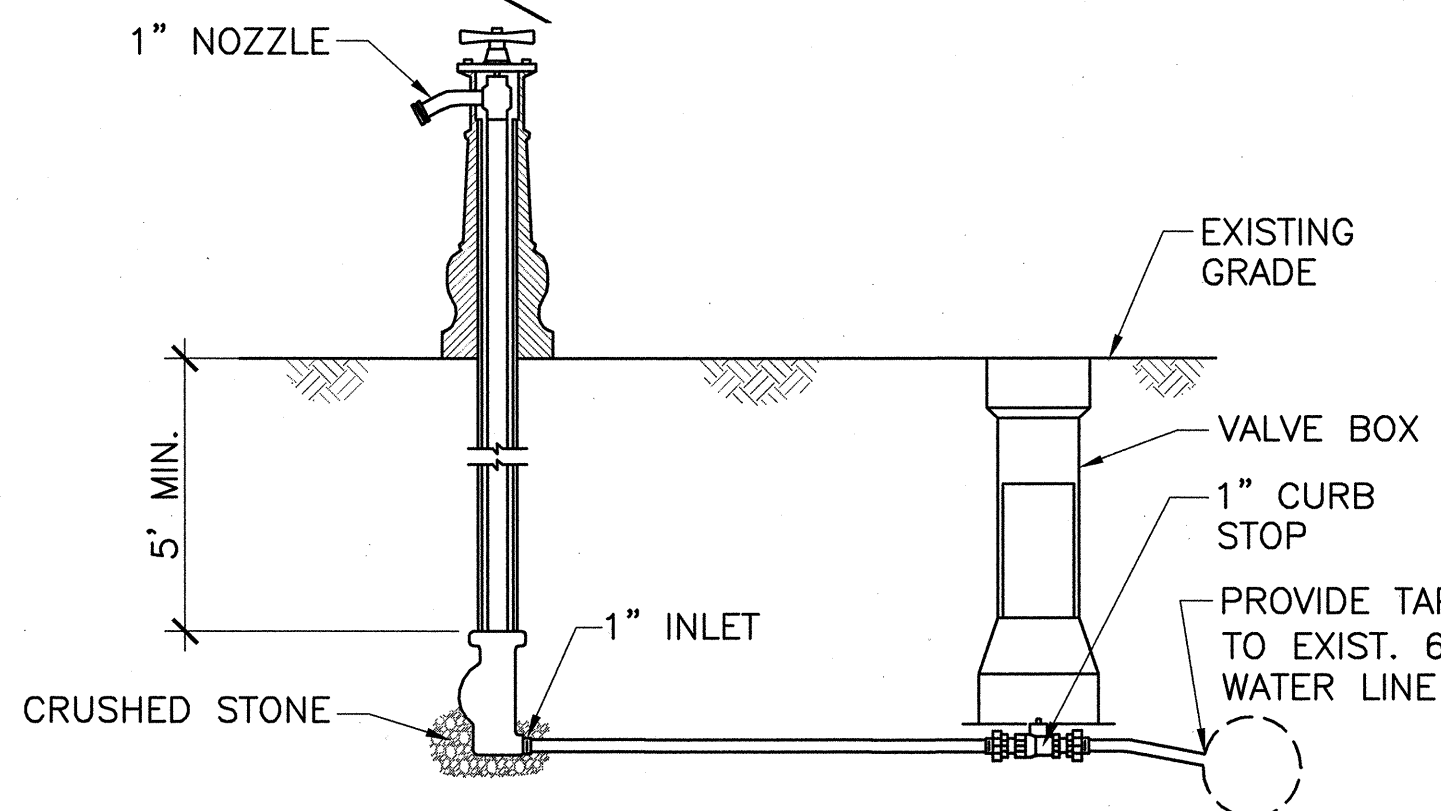
2 BOULDER OR GRANITE SLAB, FREE STANDING

SCALE: NTS

ENGRAVED GRANITE SLAB OR BOULDER
IMAGE AS APPROVED BY ENGINEER SAND BLASTED ONTO FACE OF ENGRAVED BOULDERS AND GRANITE SLABS ONLY. SEE 1/L-6 FOR LOCATIONS.
MATERIALS VARY, REFER TO PLAN
PROPOSED GRADE VARIES, SEE 1/L-6
COMPACTED GRAVEL BORROW
COMPACTED SUBGRADE

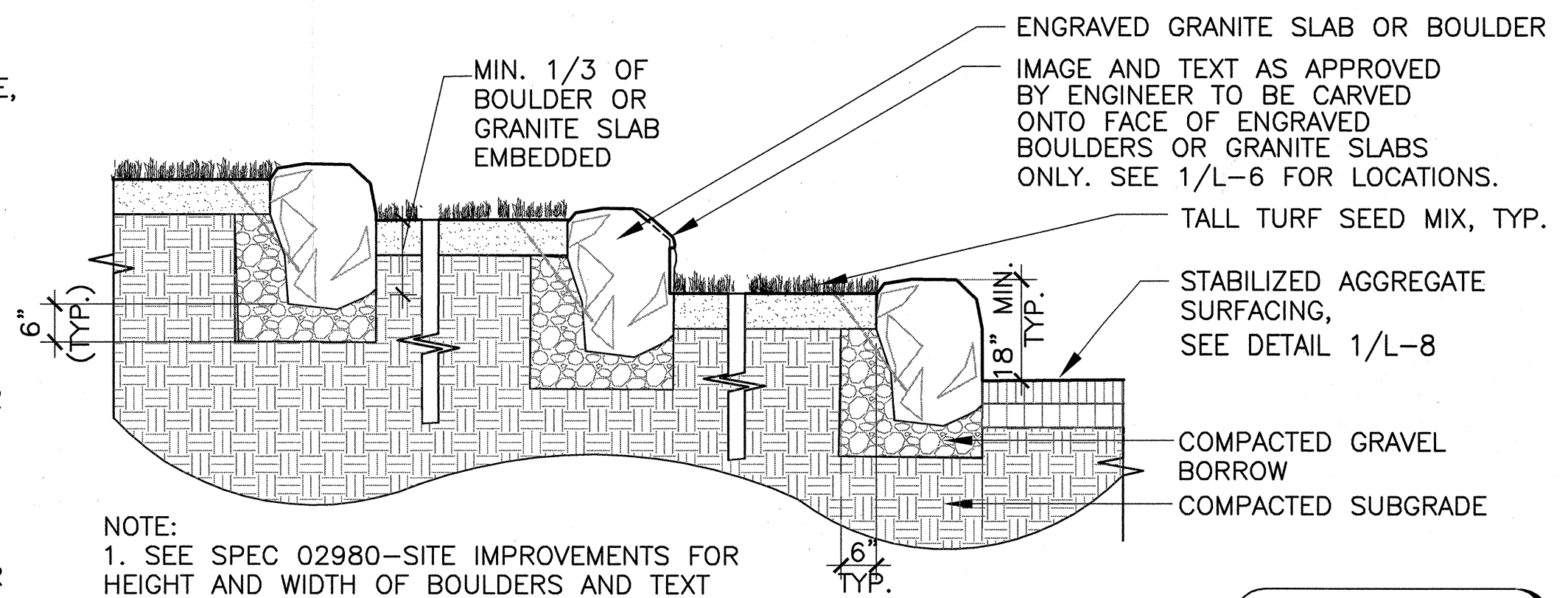
NOTES:

- YARD HYDRANTS SHALL BE TOTAL ECLIPSE #1 YARD HYDRANTS AS MANUFACTURED BY JOHN C. KUPFERLE FOUNDRY CO., ST. LOUIS, MO.
- YARD HYDRANTS SHALL BE SELF-DRAINING, NON-FREEZING, COMPRESSION TYPE, INLET CONNECTION SHALL BE 1", OUTLET SHALL BE 1".
- YARD HYDRANTS SHALL HAVE A STEEL PIPE RISER WITH A CAST IRON CASING GUARD. PRINCIPAL INTERIOR OPERATING PARTS SHALL BE BRASS AND REMOVABLE FROM YARD HYDRANT FOR SERVICING WITHOUT EXCAVATION.
- YARD HYDRANTS SHALL BE SET IN 4 CUBIC FEET OF CRUSHED STONE TO ALLOW FOR PROPER DRAINAGE. RECOMMENDATIONS OF THE AWWA SHOULD BE FOLLOWED WHEN INSTALLING THE YARD HYDRANT.
- THE CONTRACTOR SHALL PROVIDE A 3/4" WATER METER AND A 1" RPZ-TYPE BACKFLOW PREVENTER. THESE SHALL BE HOUSED IN AN INSULATED, LOCKING, FIBERGLASS, ABOVE-GROUND METER ENCLOSURE, MODEL LB2ST BY HOT BOX OR EQUAL. THE ENCLOSURE SHALL BE MOUNTED TO AN ADEQUATELY SIZED SLAB OR FOOTER TO PREVENT TAMPING OR REMOVAL. OPENINGS SHALL BE PROVIDED IN THE SLAB WITHIN THE ENCLOSURE TO ALLOW THE WATER SERVICE TO ENTER AND EXIT FROM BELOW GRADE INSIDE THE ENCLOSURE.
- UPON COMPLETION OF THE PROJECT, THE CONTRACTOR SHALL REMOVE THE ENTIRE YARD HYDRANT ASSEMBLY AND CLOSE THE CORPORATION AT THE WATER MAIN. THE CONTRACTOR SHALL COORDINATE THE INSTALLATION AND REMOVAL AND SHUT-DOWN DURING WINTER PERIODS (NO LATER THAN NOVEMBER 1) OF THE YARD HYDRANT ASSEMBLY WITH THE CAMBRIDGE WATER DEPARTMENT.



3 TEMPORARY YARD HYDRANT

SCALE: NTS



NOTE:
1. SEE SPEC 02980-SITE IMPROVEMENTS FOR HEIGHT AND WIDTH OF BOULDERS AND TEXT AND GRAPHICS REQUIREMENT FOR ENGRAVED BOULDERS AND GRANITE SLAB.

4 BOULDER OR GRANITE SLAB, RETAINING

SCALE: NTS

CONFORMED SET

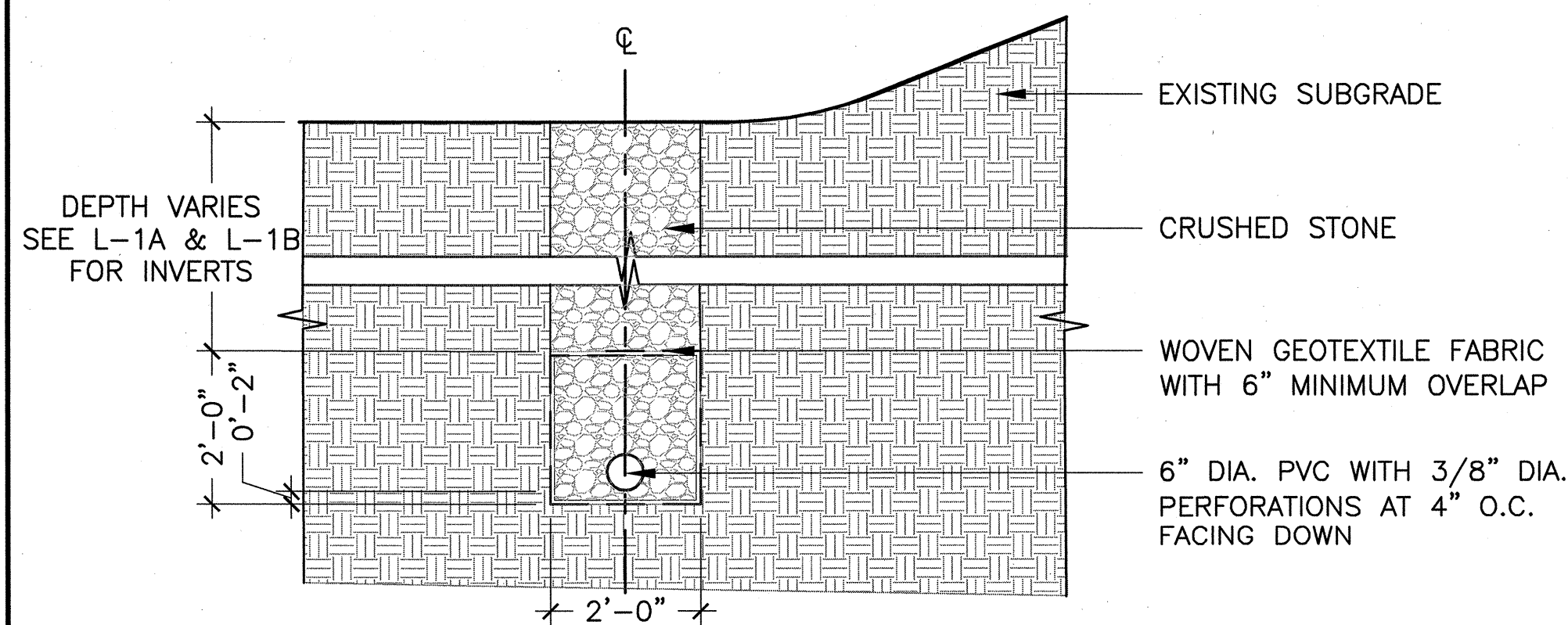


Scale		AS NOTED	
Date	SEPTEMBER 1, 2010		
Job No.	CAM		
Designed by	EJW		
Drawn by	MKO		
Checked by	RWG/KB	No.	Description
Approved by	RWG		Date
		REVISIONS	

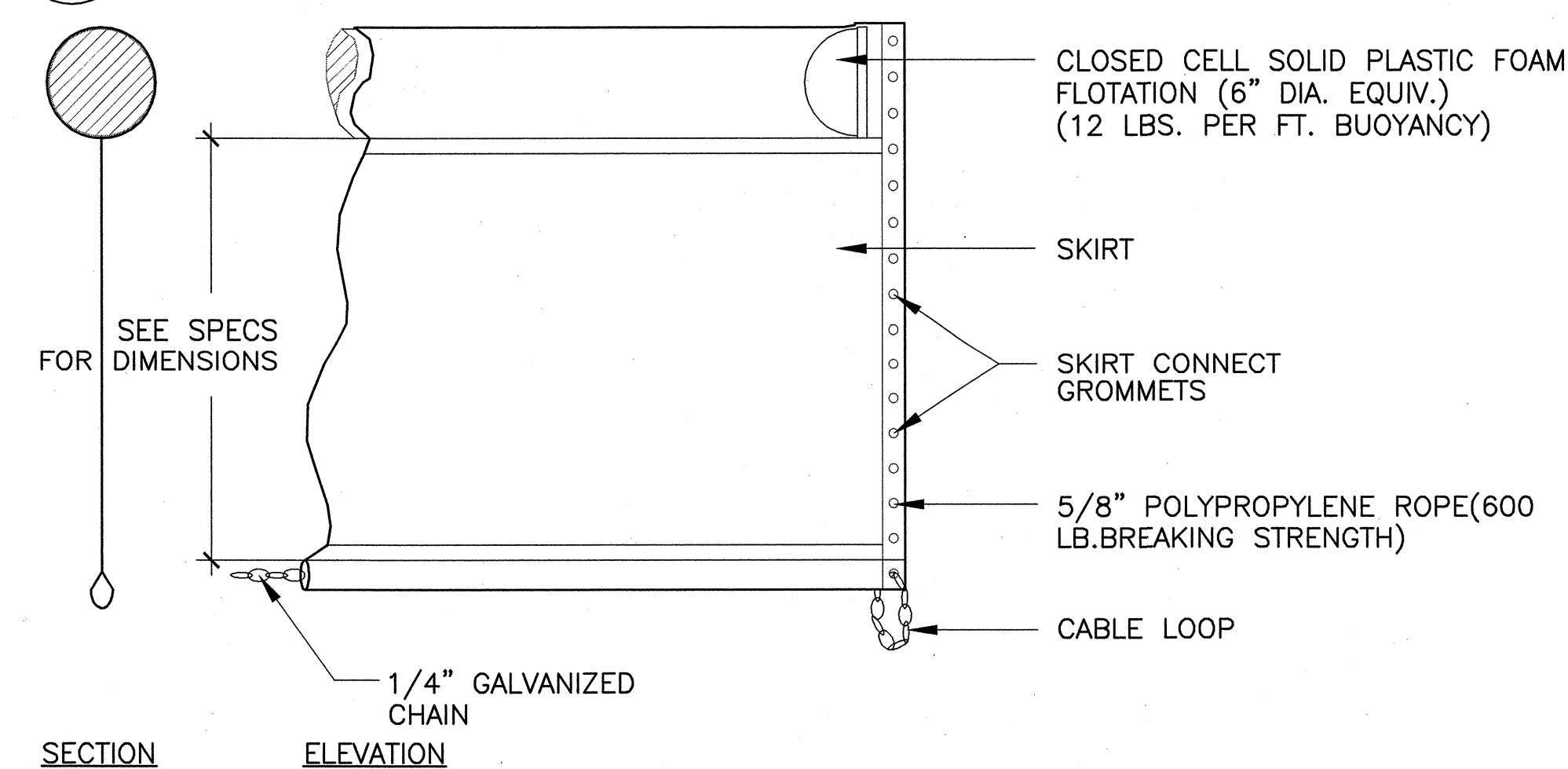


CITY OF CAMBRIDGE, MASSACHUSETTS	
CAMBRIDGEPARK DRIVE AREA DRAINAGE IMPROVEMENTS	
CONTRACT NO. 12	
STORMWATER TREATMENT AREA AND MITIGATION AREA	
AMPHITHEATRE ENLARGEMENT	

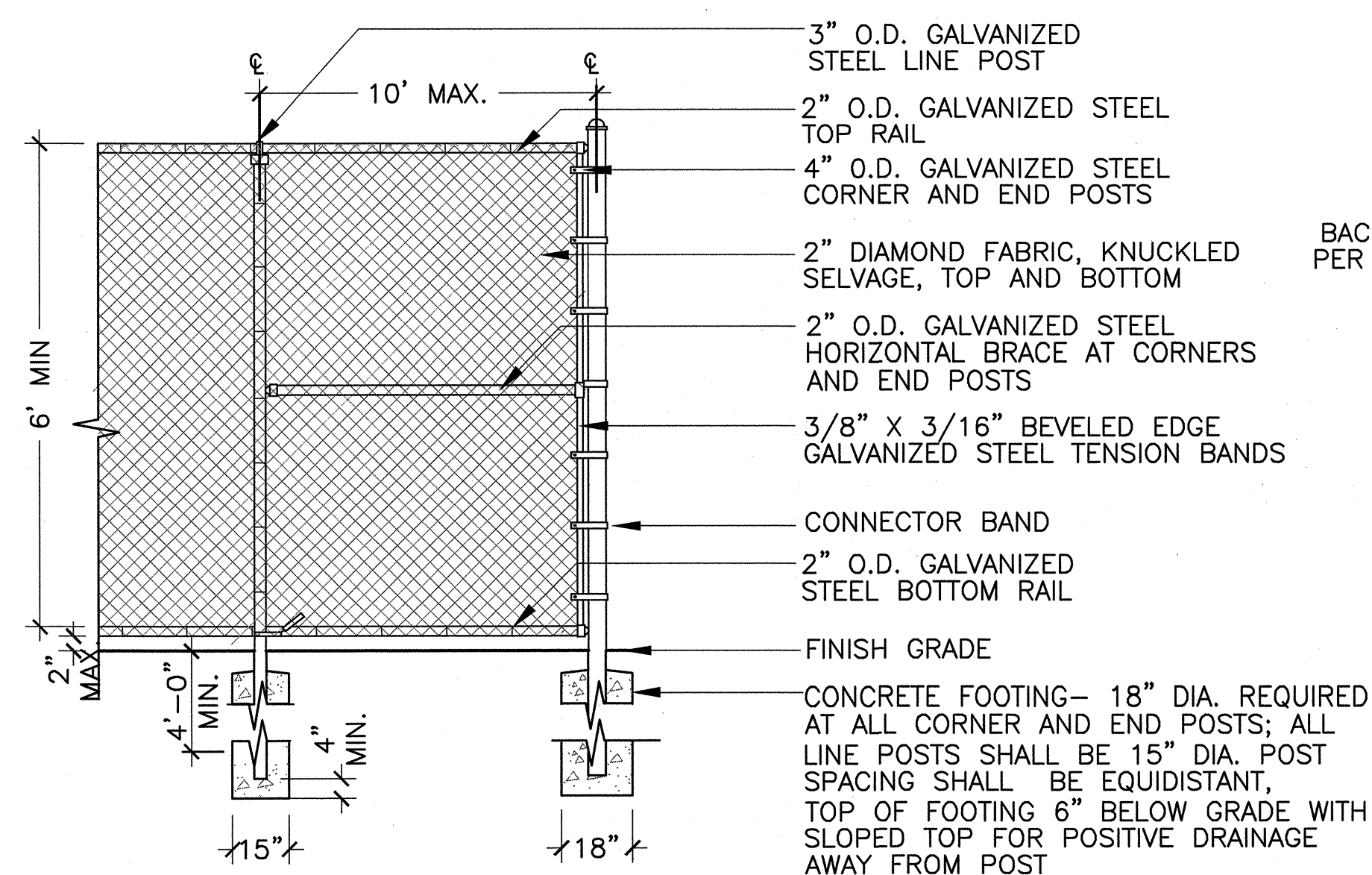
Sheet No.	L-6
File No.	



1 FRENCH DRAIN
SCALE: NTS

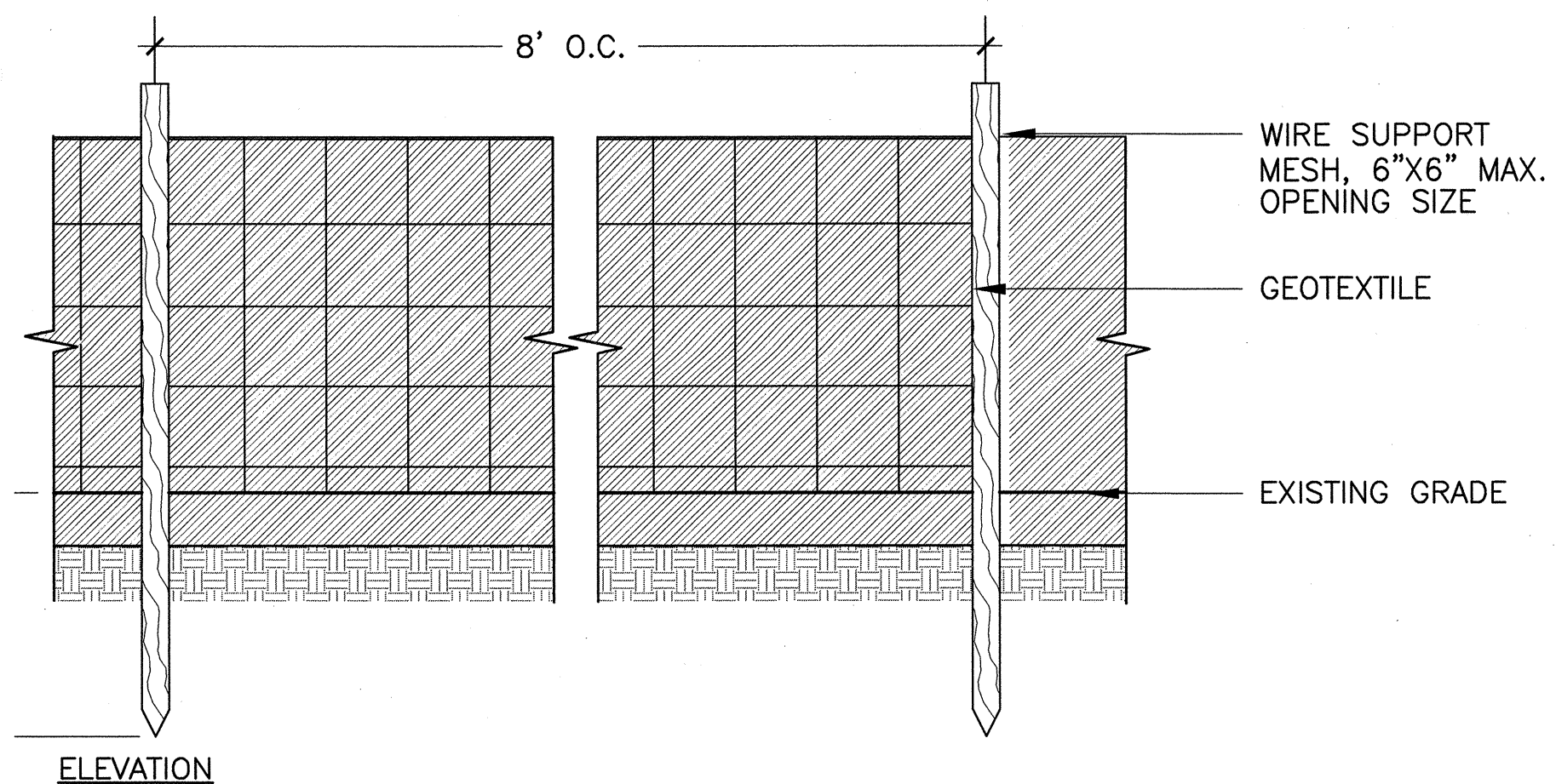


2 TURBIDITY CURTAIN
SCALE: NTS

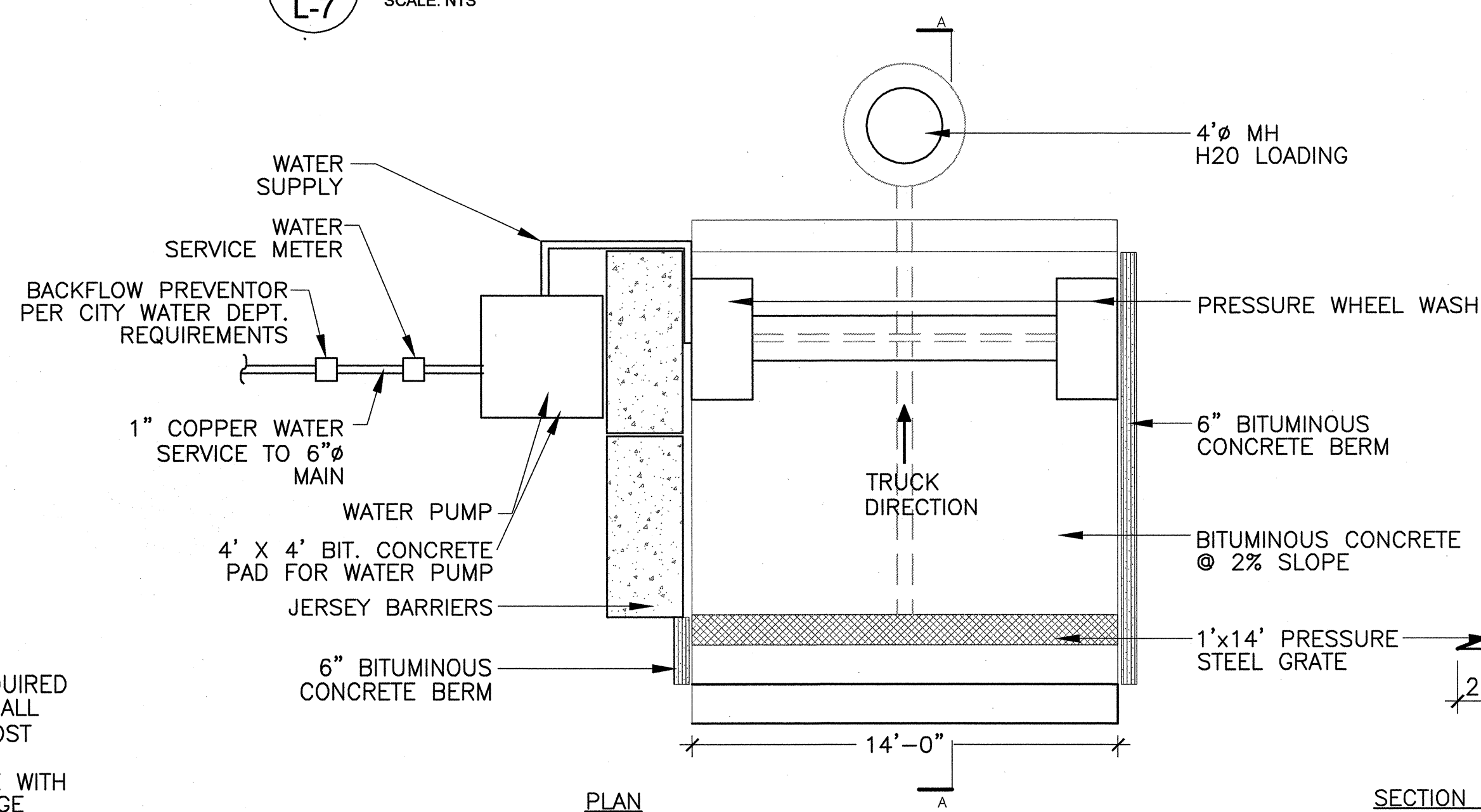
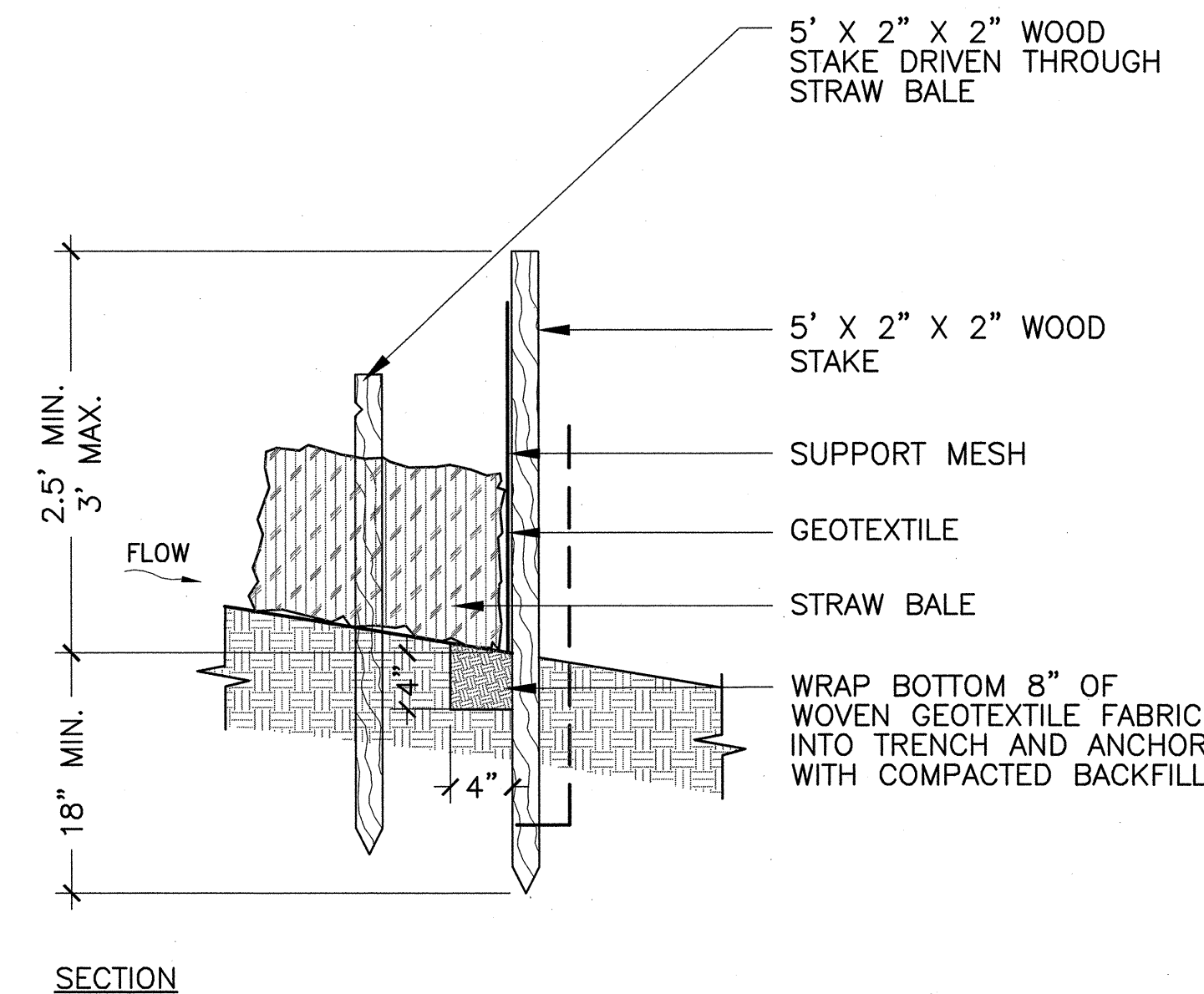


3 CHAIN LINK CONSTRUCTION FENCE
SCALE: NTS

NOTES:
1. THE HEIGHT OF A SILT FENCE SHALL NOT EXCEED 36 INCHES.
2. PURCHASE GEOTEXTILE IN A CONTINUOUS ROLL CUT TO THE LENGTH OF THE BARRIER TO AVOID THE USE OF JOINTS.
3. DIG A 4" X 4" TRENCH ALONG THE LINE OF POSTS AND UPSLOPE FROM THE BARRIER TO SECURE GEOTEXTILE BELOW GRADE.
4. ATTACH WIRE SUPPORT MESH TO THE UPSLOPE SIDE OF THE POSTS USING HEAVY DUTY WIRE STAPLES AT LEAST 1 INCH LONG, TIE WIRES, OR HOG RINGS. EXTEND SUPPORT MESH INTO THE TRENCH A MINIMUM OF 2 INCHES.
5. ATTACH GEOTEXTILE TO THE FENCE USING STAPLES OR WIRE. BURY THE BOTTOM 8 INCHES OF THE FABRIC IN THE TRENCH. THE FABRIC SHALL NOT EXTEND MORE THAN 36 INCHES ABOVE EXISTING GRADE.

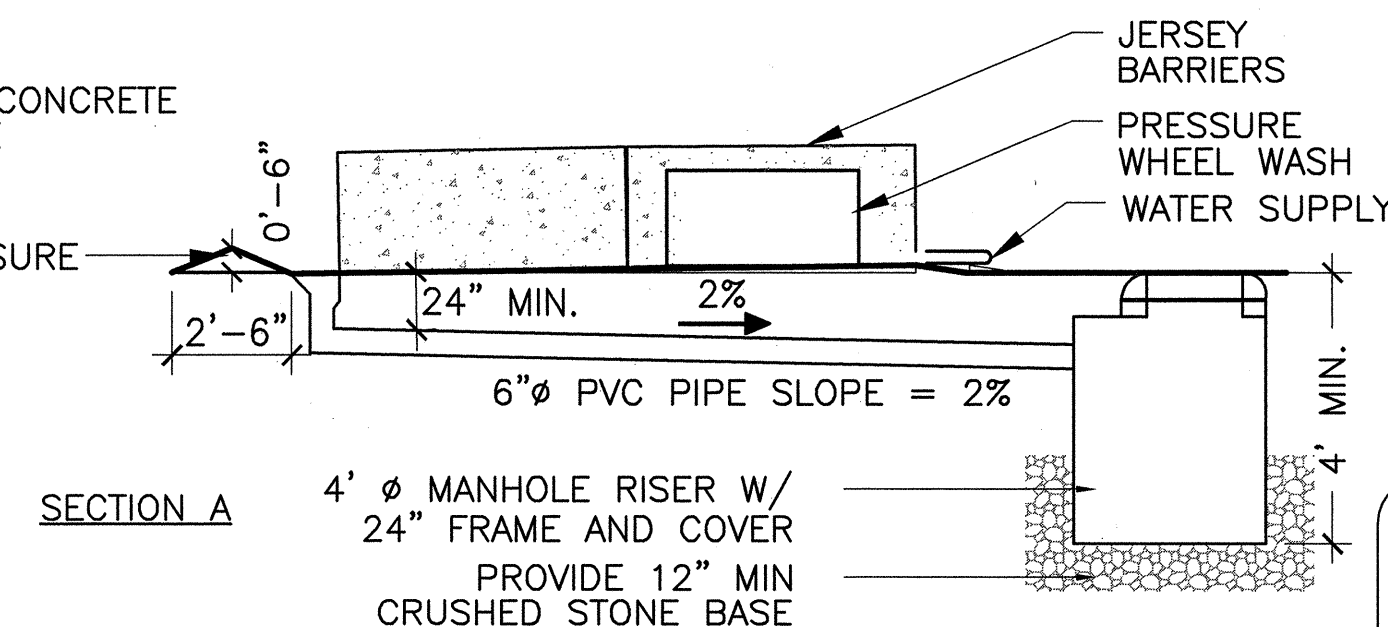


4 SILT FENCE AND STRAW BALES
SCALE: NTS

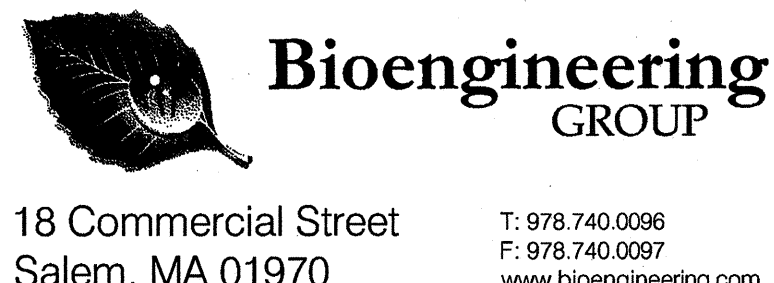


5 TRUCK WASHING AREA
SCALE: NTS

NOTES:
1. PRESSURE WHEEL WASH SHALL BE DIRTSQUIT WHEEL WASH OR APPROVED EQUAL.
2. WATER PUMP SHALL BE DUSTPRO OR APPROVED EQUAL.
3. INSTALL 2' OF CRUSHED STONE AROUND ALL SIDES OF TRUCK WASHING AREA.



CONFORMED SET

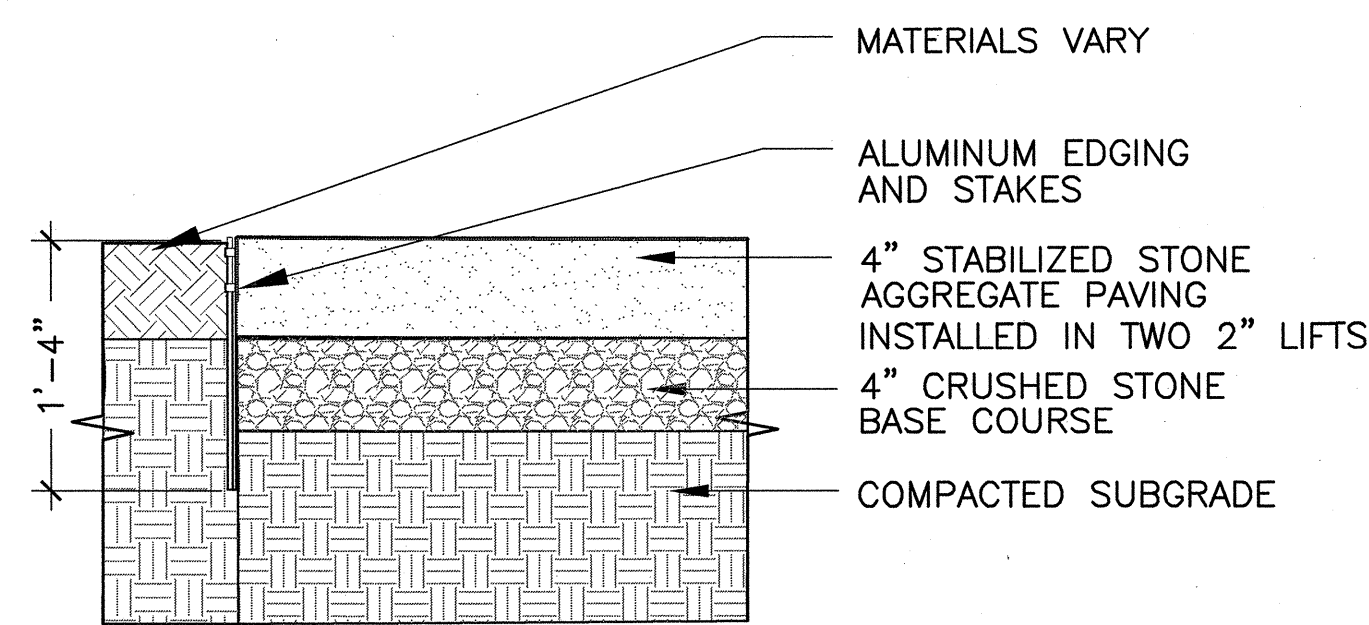


Scale		AS NOTED	
Date	SEPTEMBER 1, 2010		
Job No.	CAM		
Designed by	EJW		
Drawn by	MKO		
Checked by	RWG/KB	No.	Description
Approved by	RWG		REVISIONS

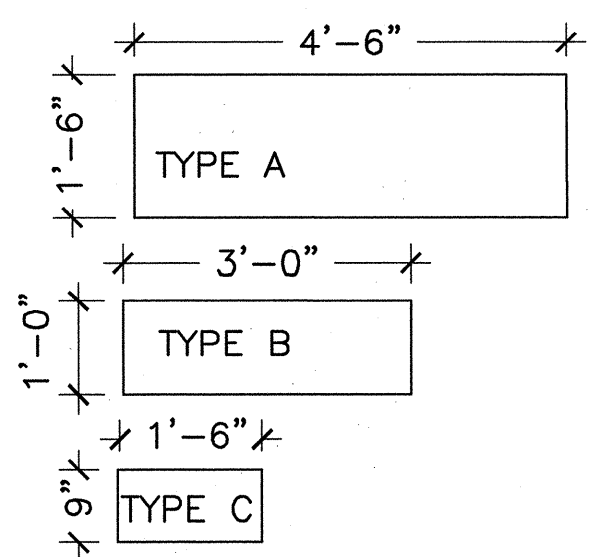


CITY OF CAMBRIDGE, MASSACHUSETTS
CAMBRIDGEPARK DRIVE AREA DRAINAGE IMPROVEMENTS
CONTRACT NO. 12
STORMWATER TREATMENT AREA AND MITIGATION AREA
EROSION AND SEDIMENT DETAILS

Sheet No. L-7
File No.

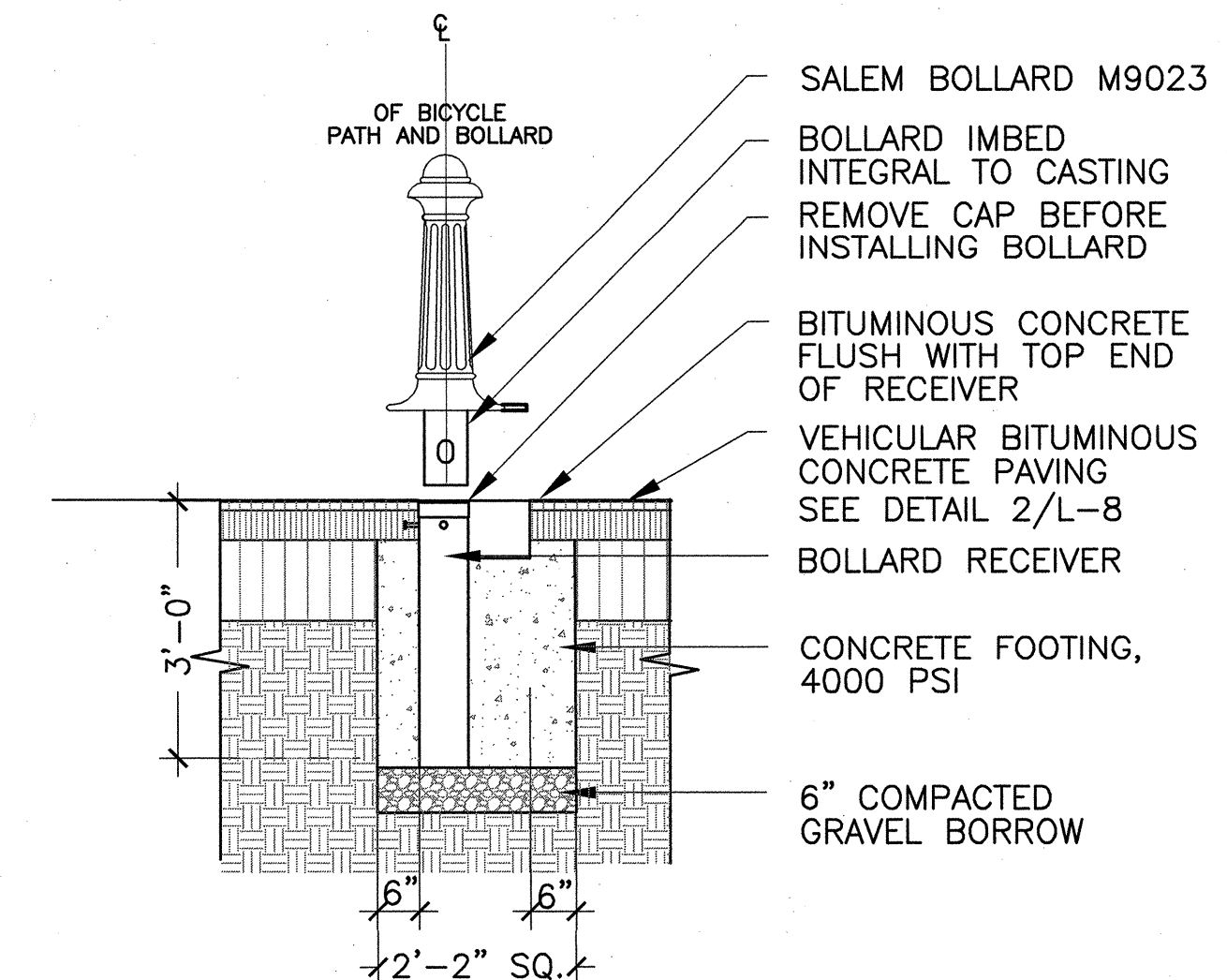


1 STABILIZED AGGREGATE SURFACING
SCALE: NTS

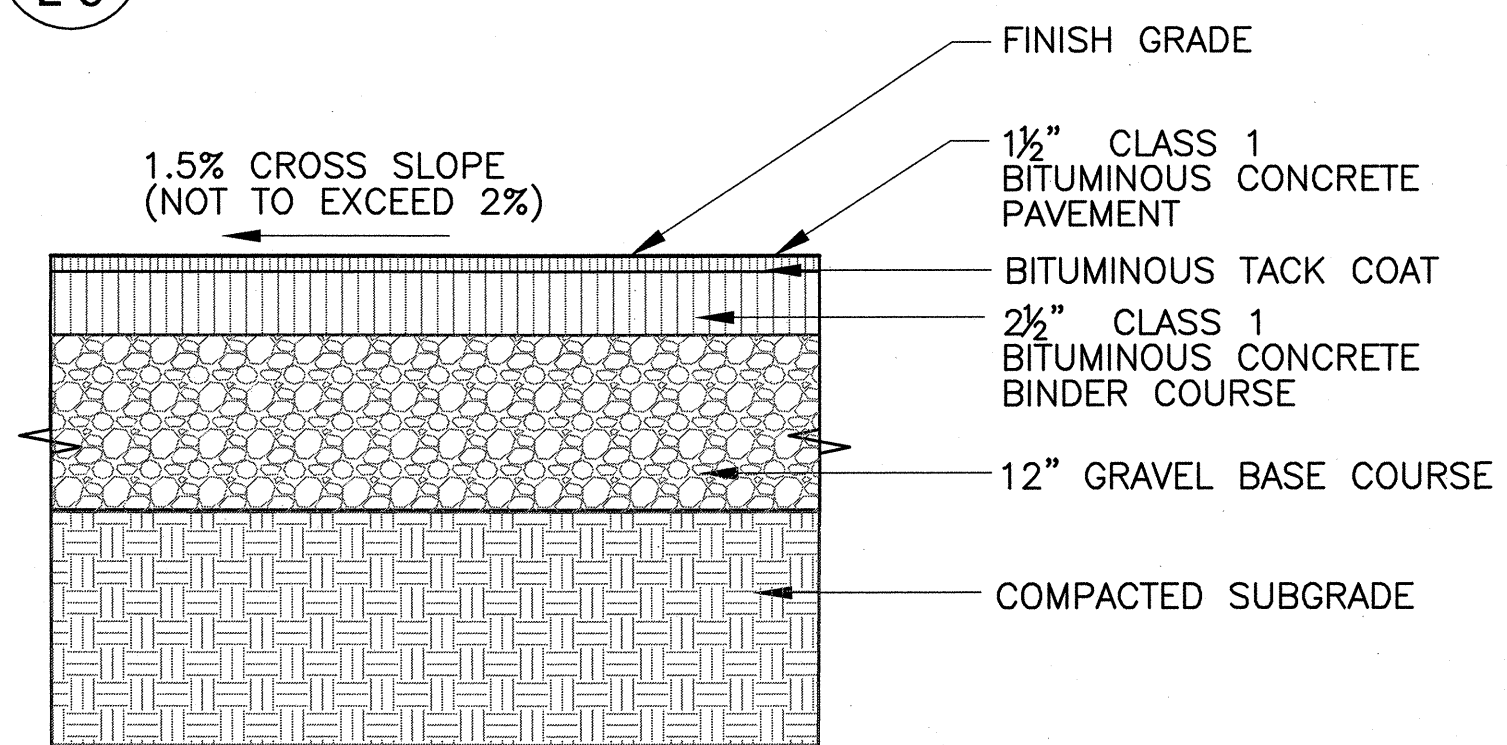


4 PLASTIC SIGN
SCALE: NTS

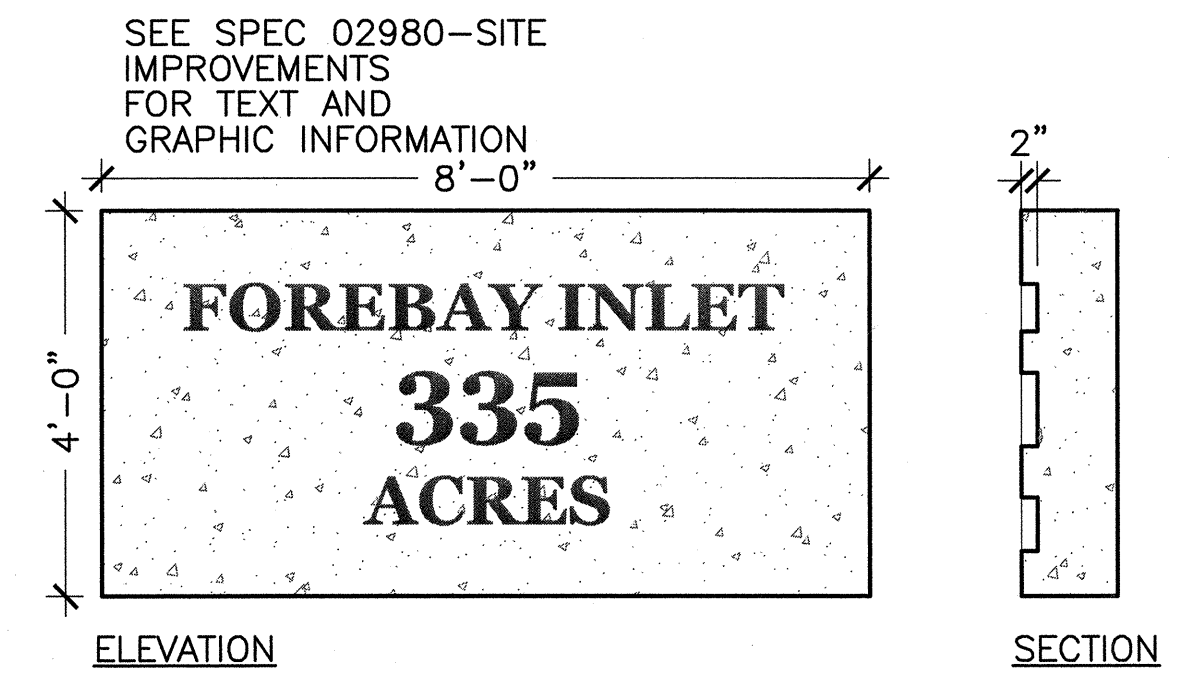
FOR SIGNAGE ATTACHMENT TO BOARDWALK RAIL, SEE DETAIL 3/L-11.
FOR SIGNAGE ATTACHMENT TO BOARDWALK MESH PANEL, SEE DETAIL 4/L-11.
SEE SPEC 02980-SITE IMPROVEMENTS FOR TEXT AND GRAPHIC INFORMATION



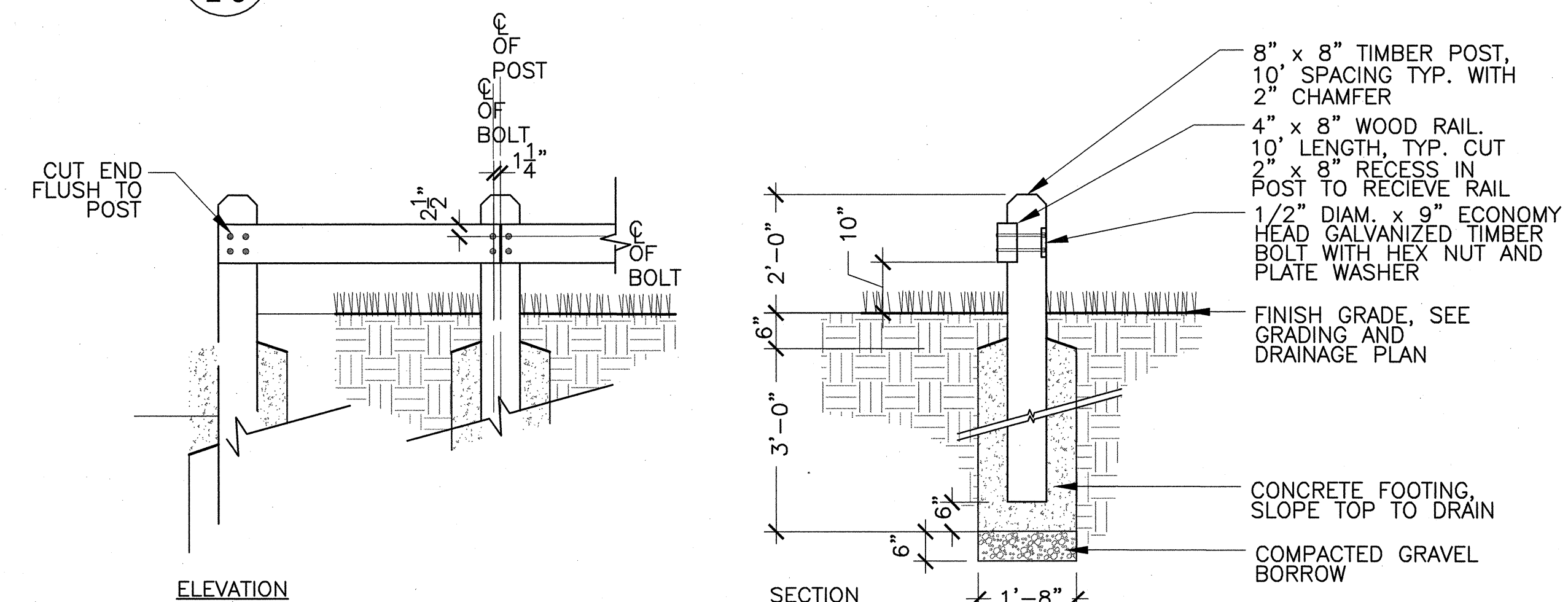
7 REMOVABLE ALUMINUM BOLLARD
SCALE: NTS



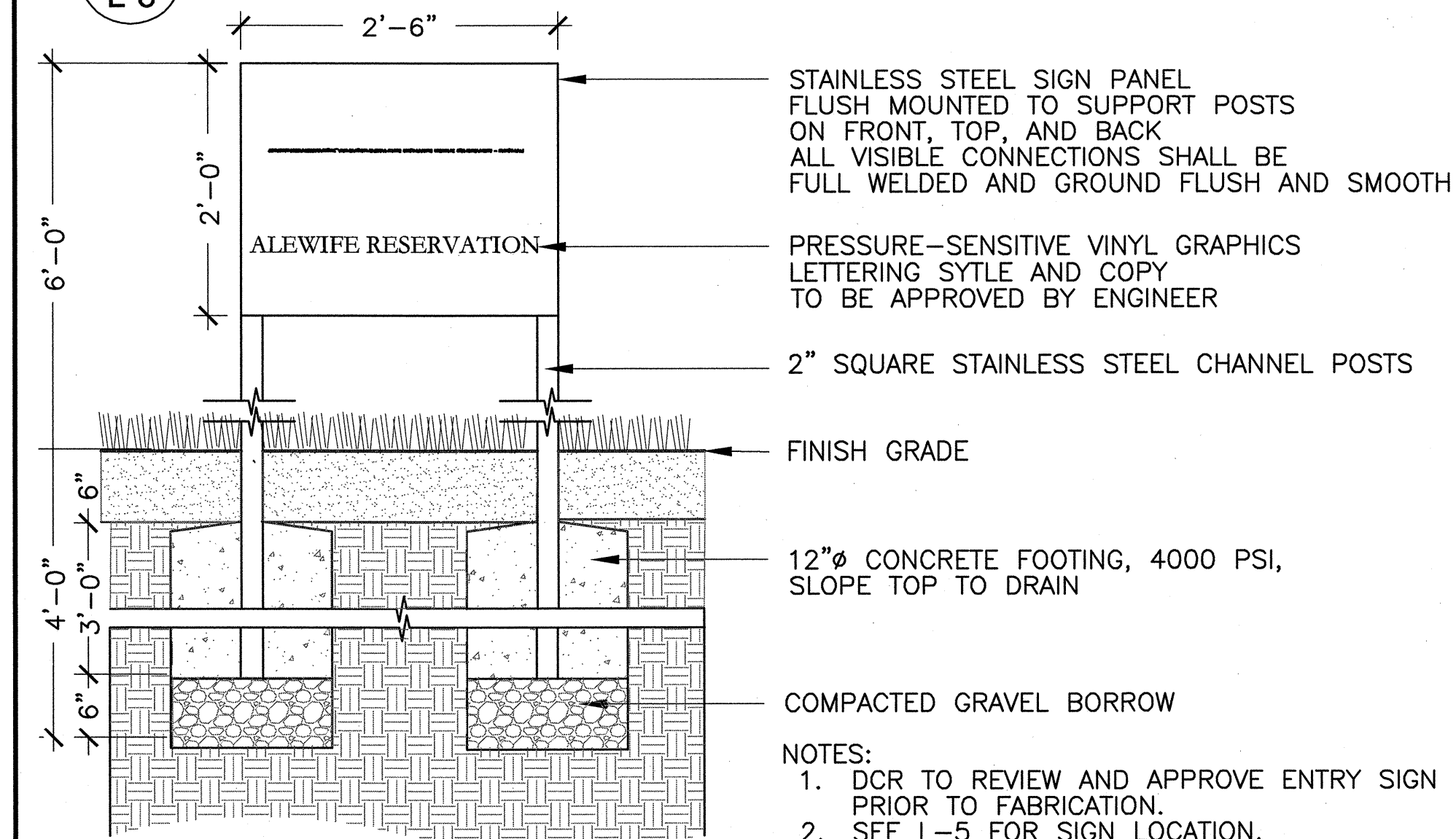
2 VEHICULAR BITUMINOUS CONCRETE PAVING
SCALE: NTS



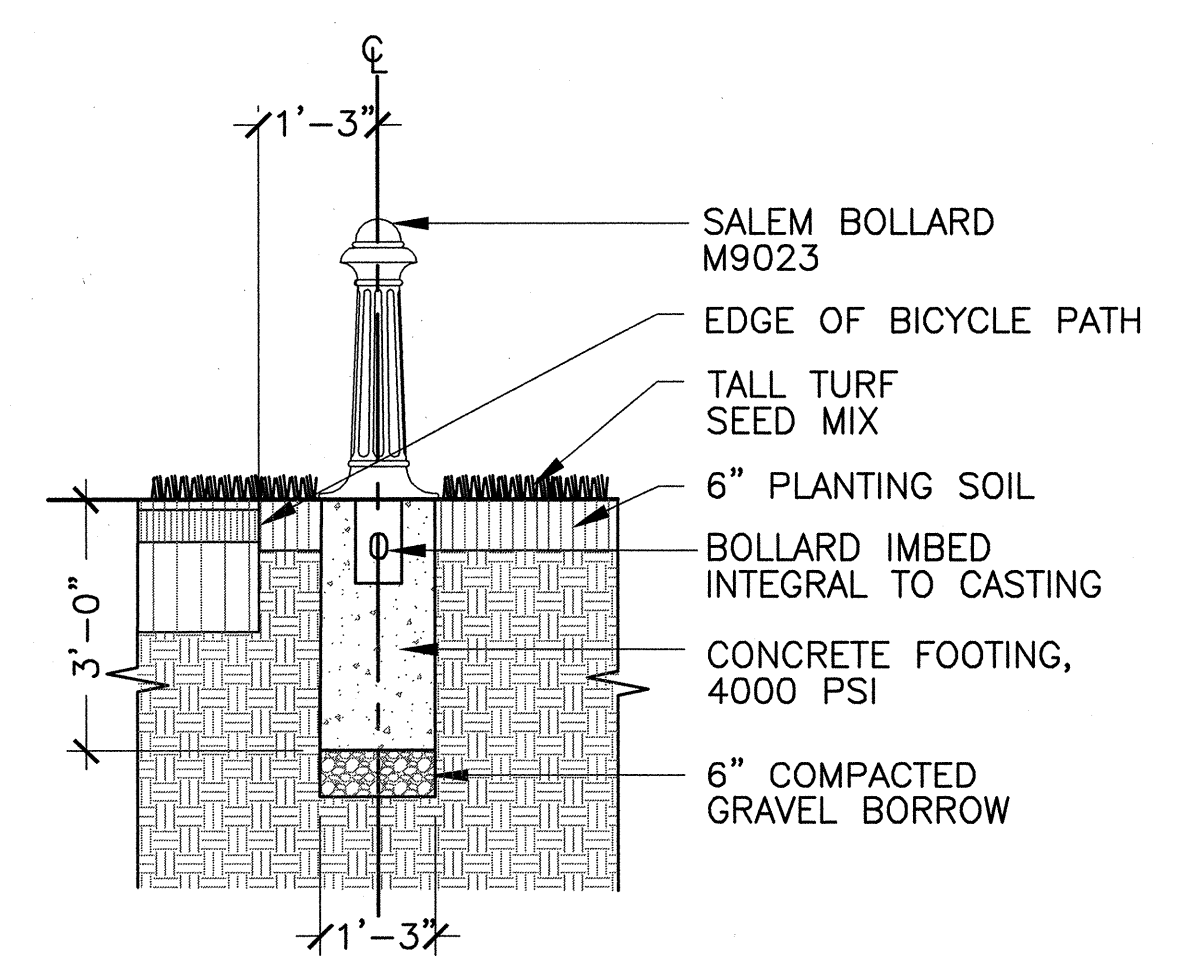
5 CONCRETE SIGN
SCALE: NTS



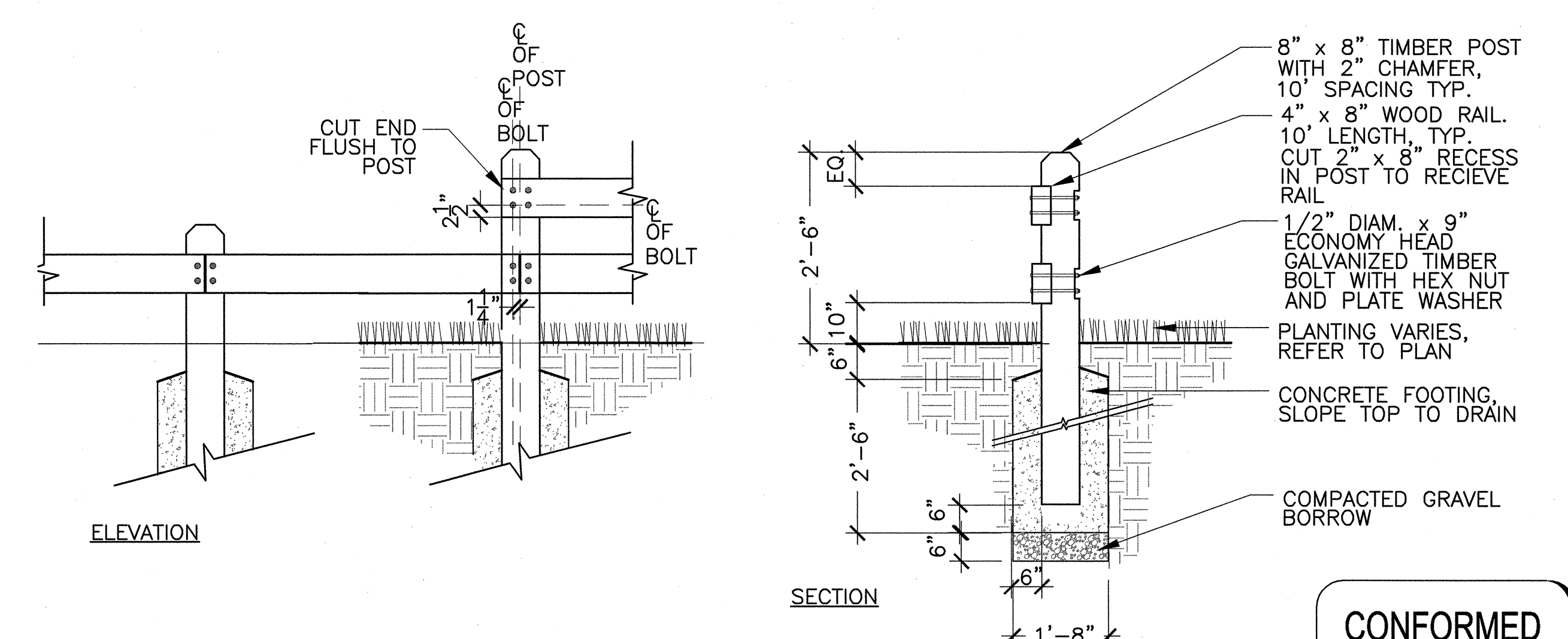
8 SINGLE TIMBER GUIDERAIL
SCALE: NTS



3 ENTRY SIGN
SCALE: NTS

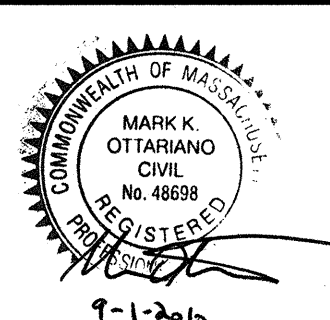
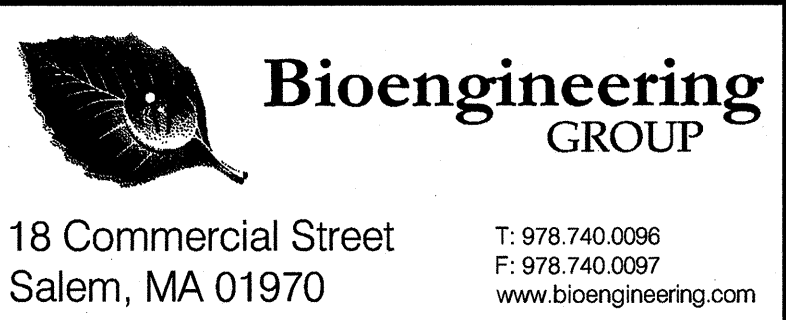


6 ALUMINUM BOLLARD
SCALE: NTS

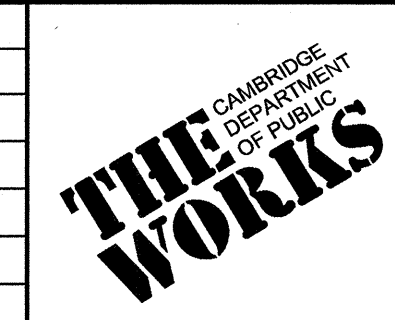


9 DOUBLE TIMBER GUIDERAIL
SCALE: NTS

CONFORMED SET

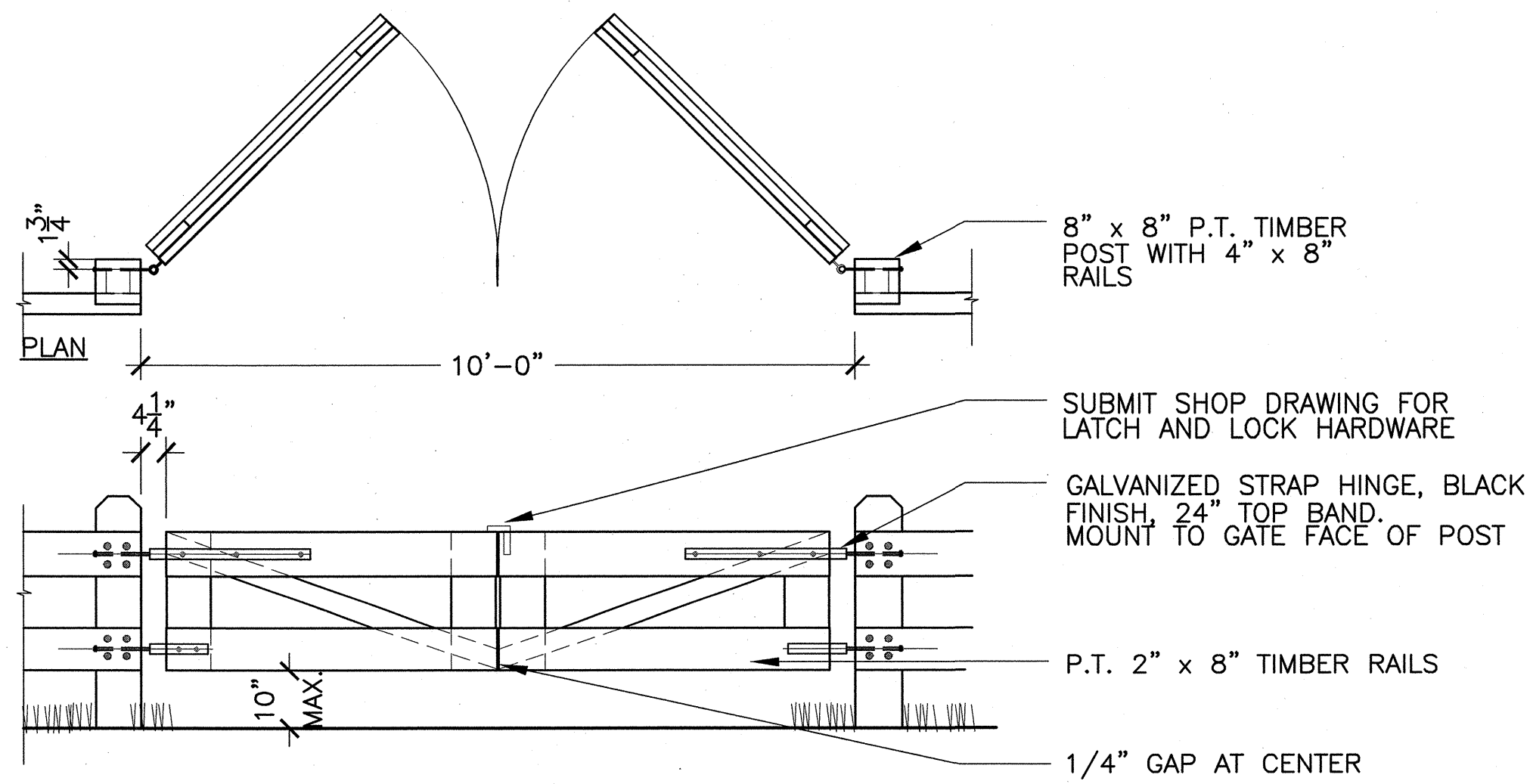


Scale	AS NOTED
Date	SEPTEMBER 1, 2010
Job No.	CAM
Designed by	EJW
Drawn by	MKO
Checked by	RWG/KB
Approved by	RWG



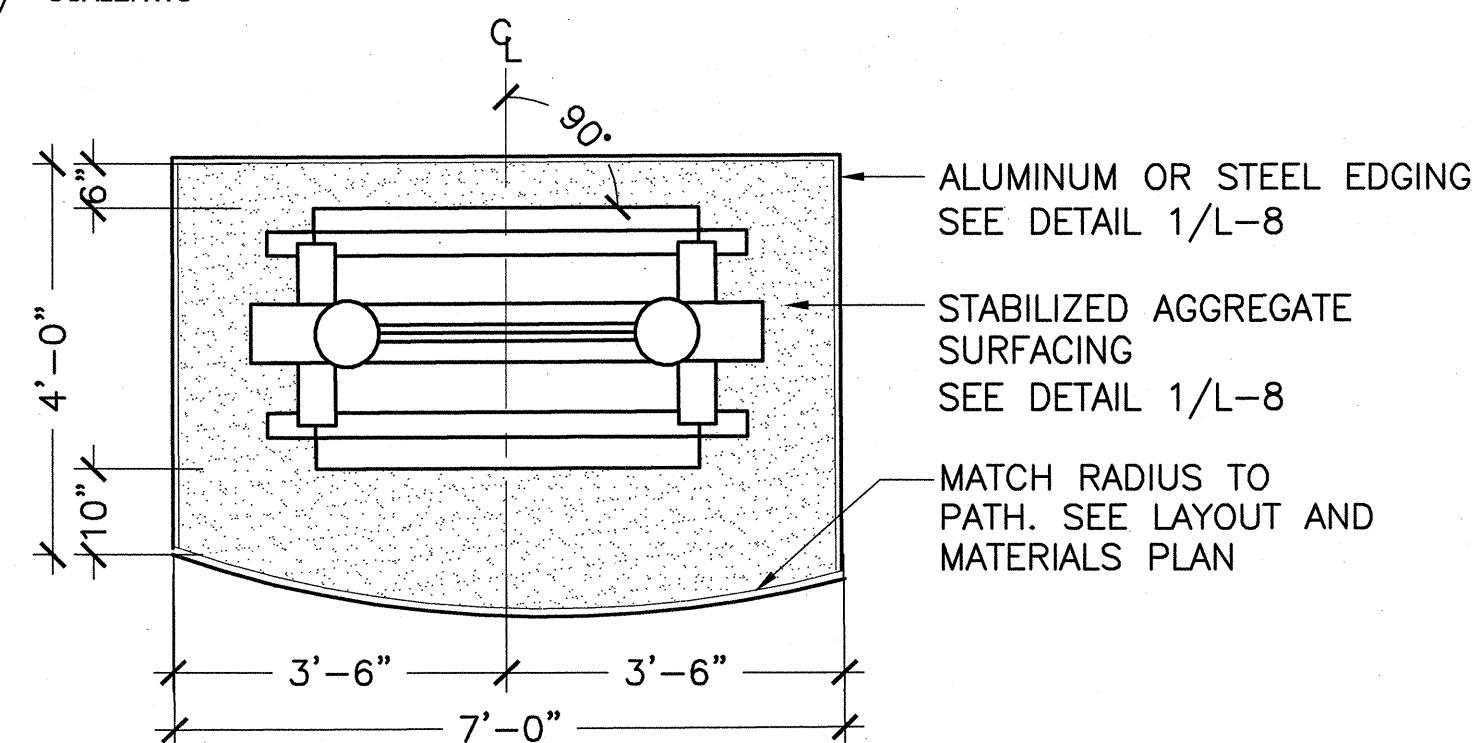
CITY OF CAMBRIDGE, MASSACHUSETTS
CAMBRIDGEPARK DRIVE AREA DRAINAGE IMPROVEMENTS
CONTRACT NO. 12
STORMWATER TREATMENT AREA AND MITIGATION AREA
LAYOUT AND MATERIAL DETAILS I

Sheet No. **L-8**
File No.

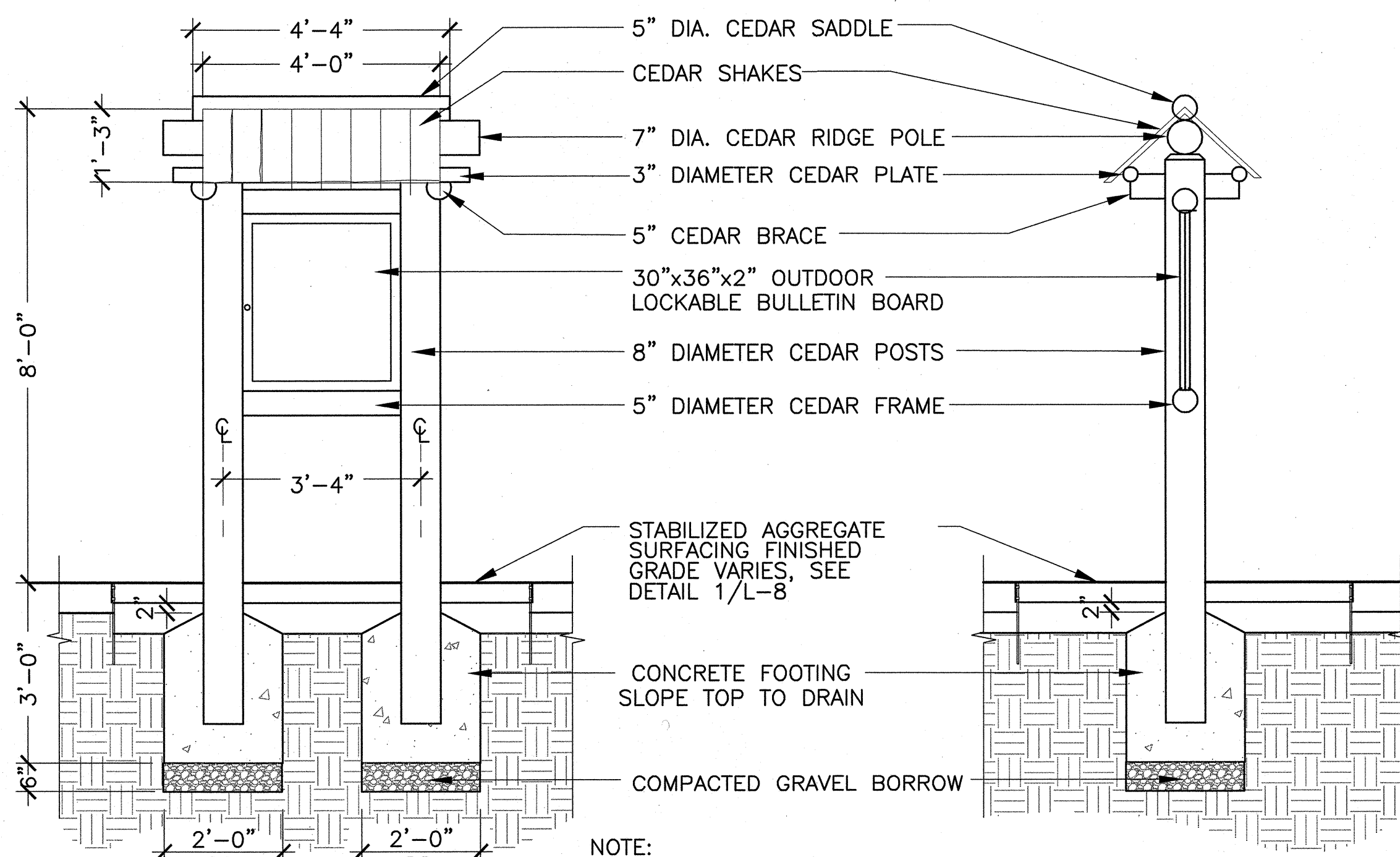


ELEVATION

1
L-9
TIMBER GATE
SCALE: NTS



PLAN

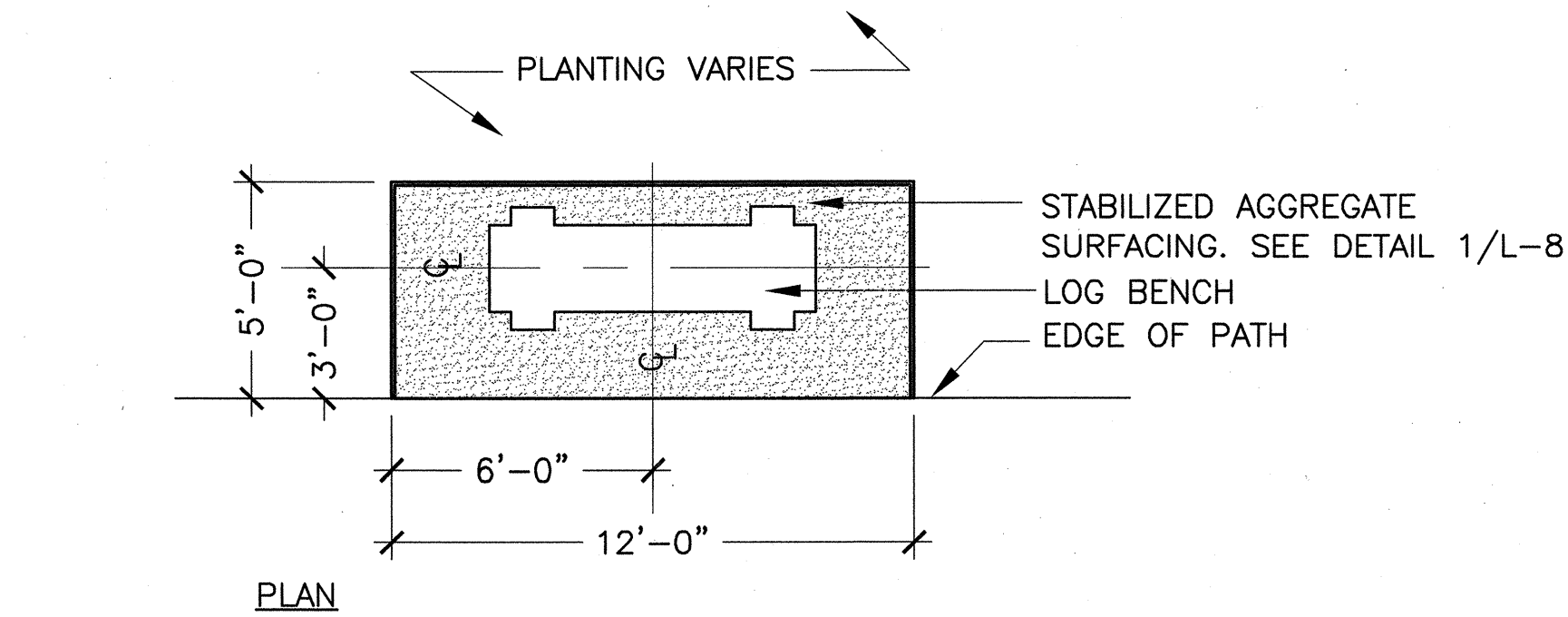


ELEVATION

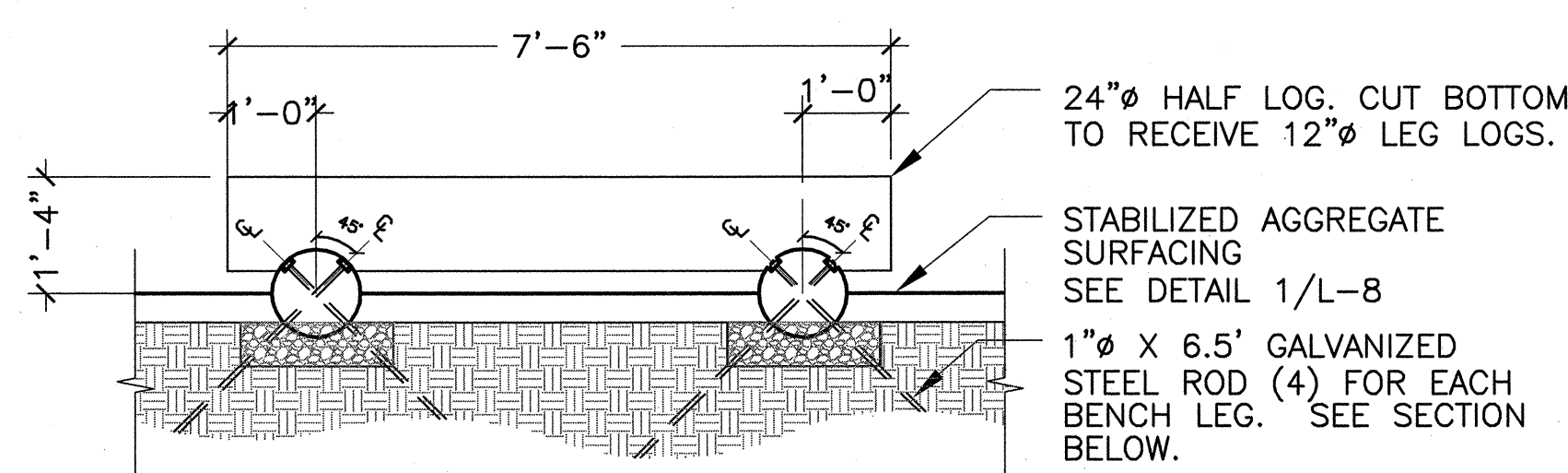
CROSS SECTION

2
L-9
KIOSK
SCALE: NTS

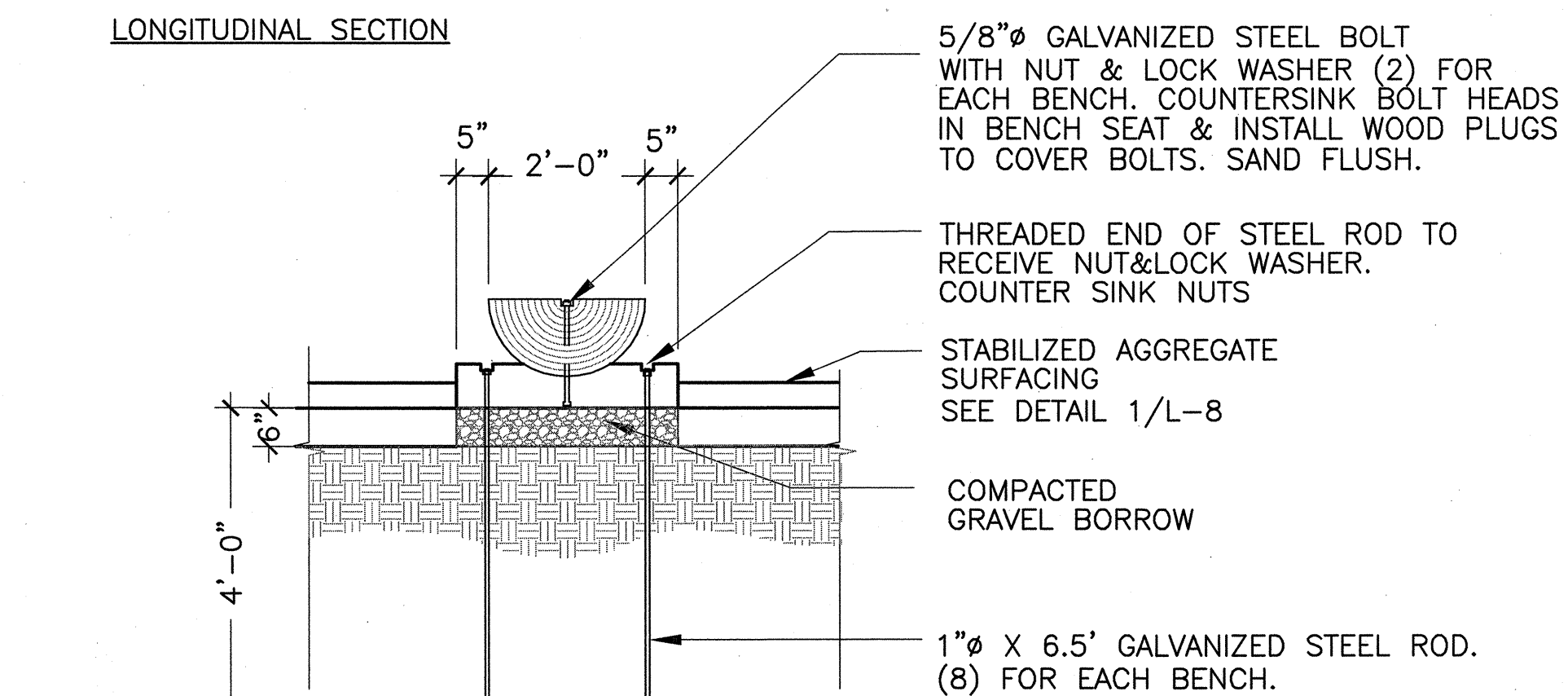
NOTE:
SUBMIT COMPLETE SHOP
DRAWINGS FOR KIOSK.



PLAN

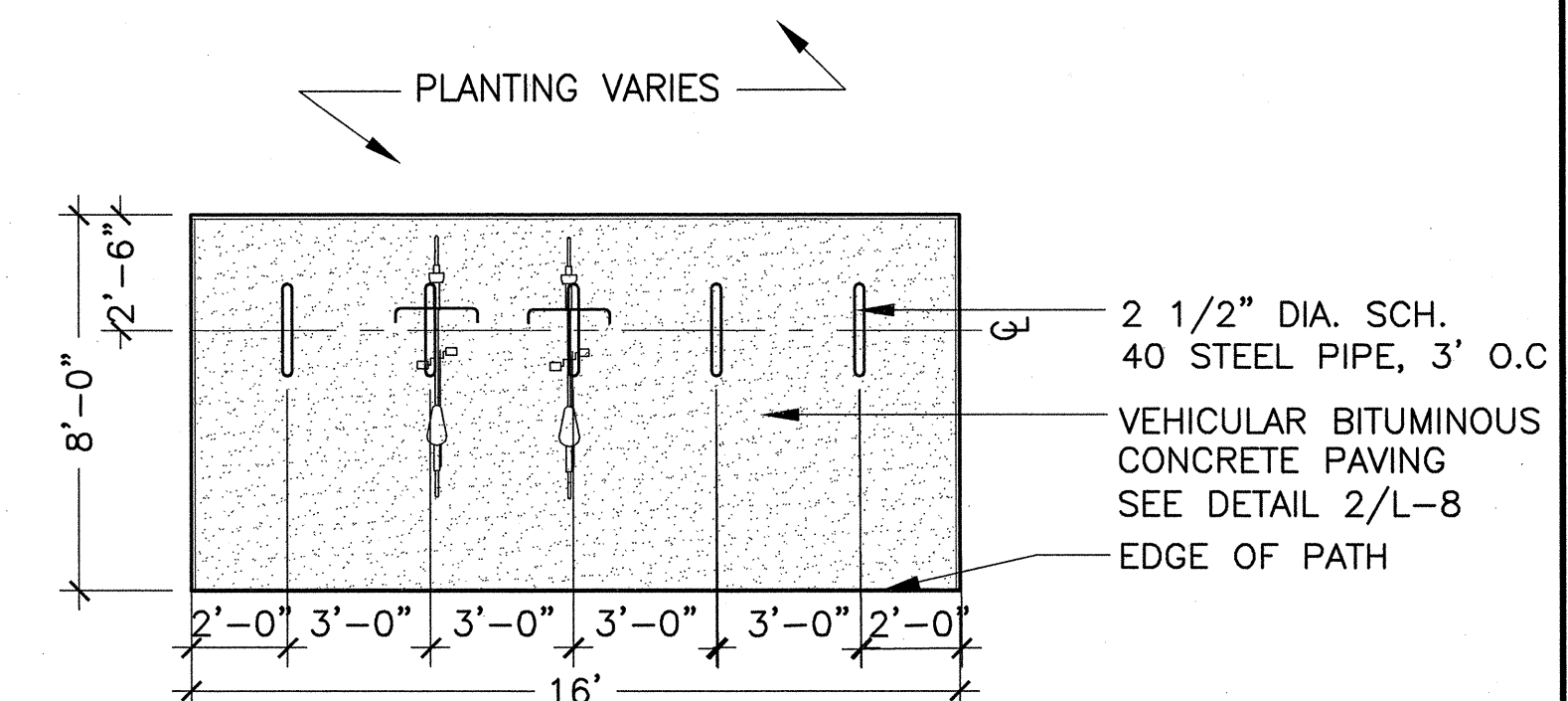


LONGITUDINAL SECTION

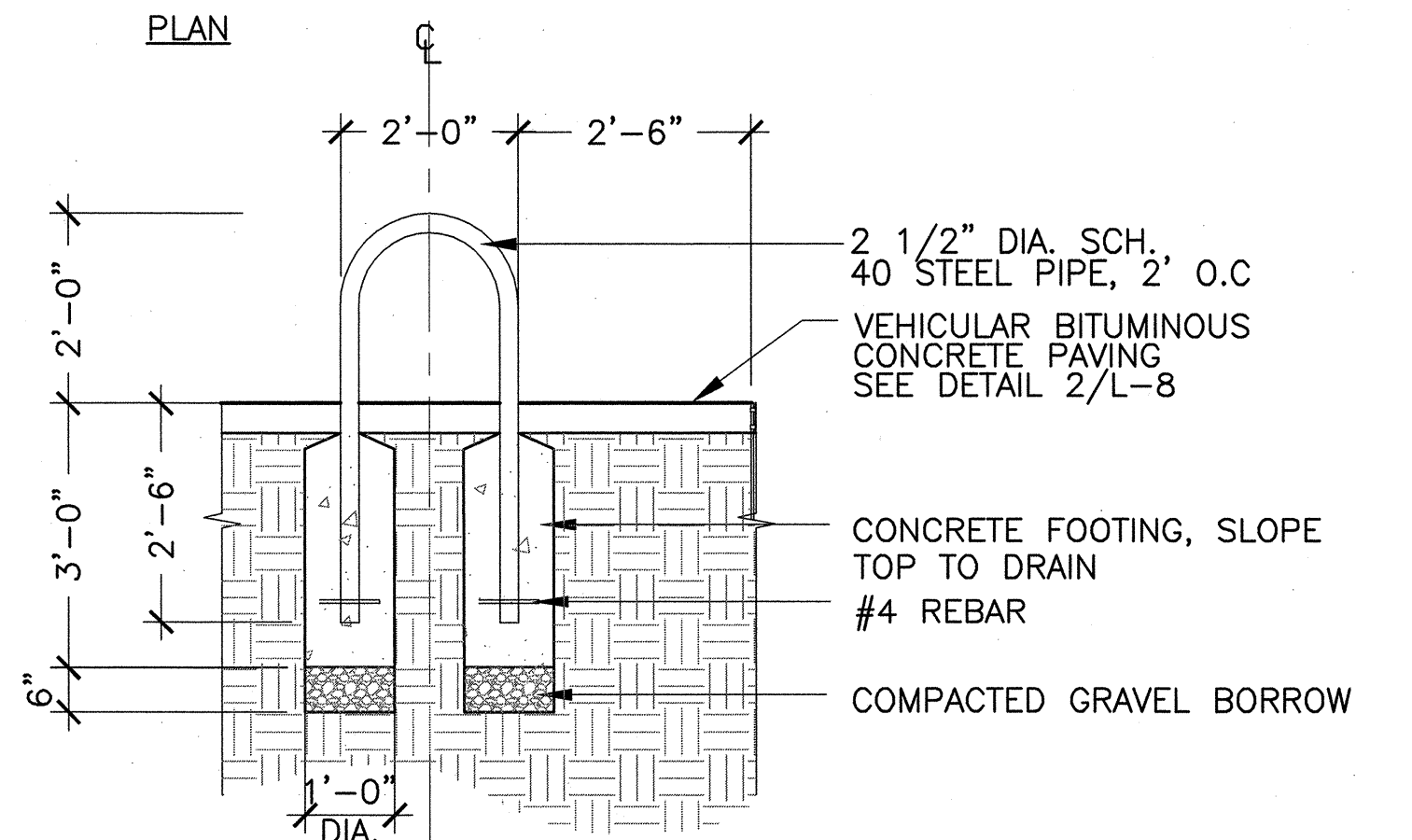


CROSS SECTION

3
L-9
LOG BENCH
SCALE: NTS

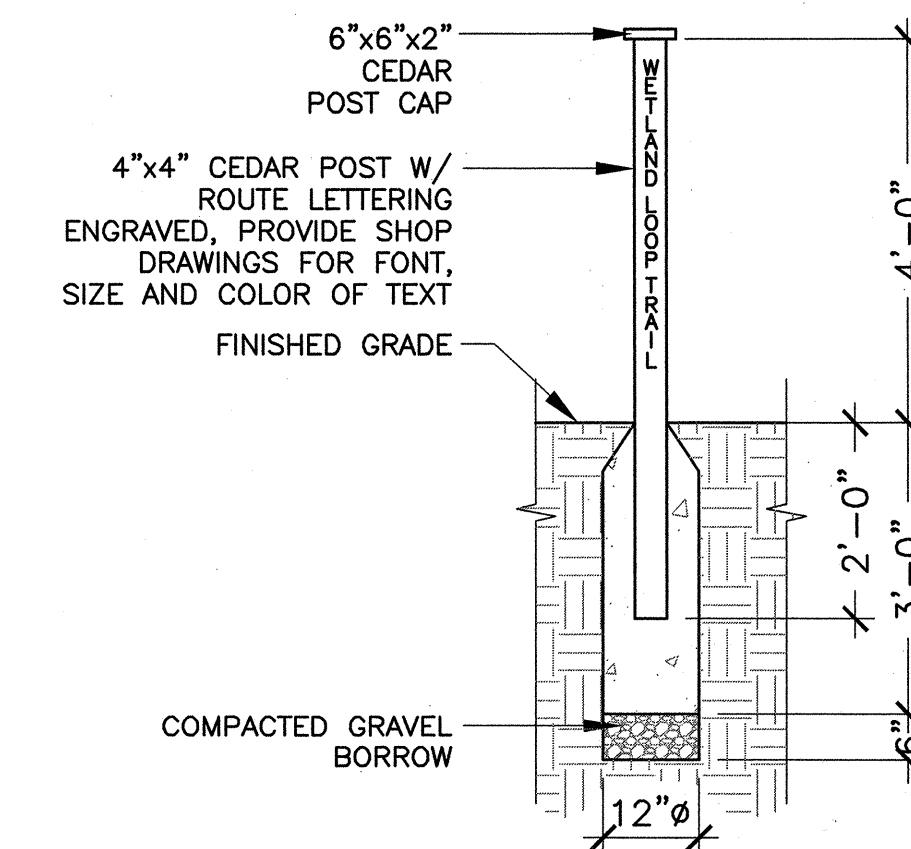


PLAN



SECTION

4
L-9
BIKE RACK
SCALE: NTS

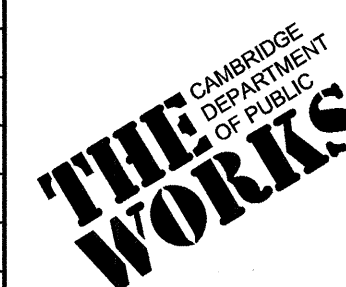


5
L-9
POLE SIGN
SCALE: NTS

CONFORMED SET

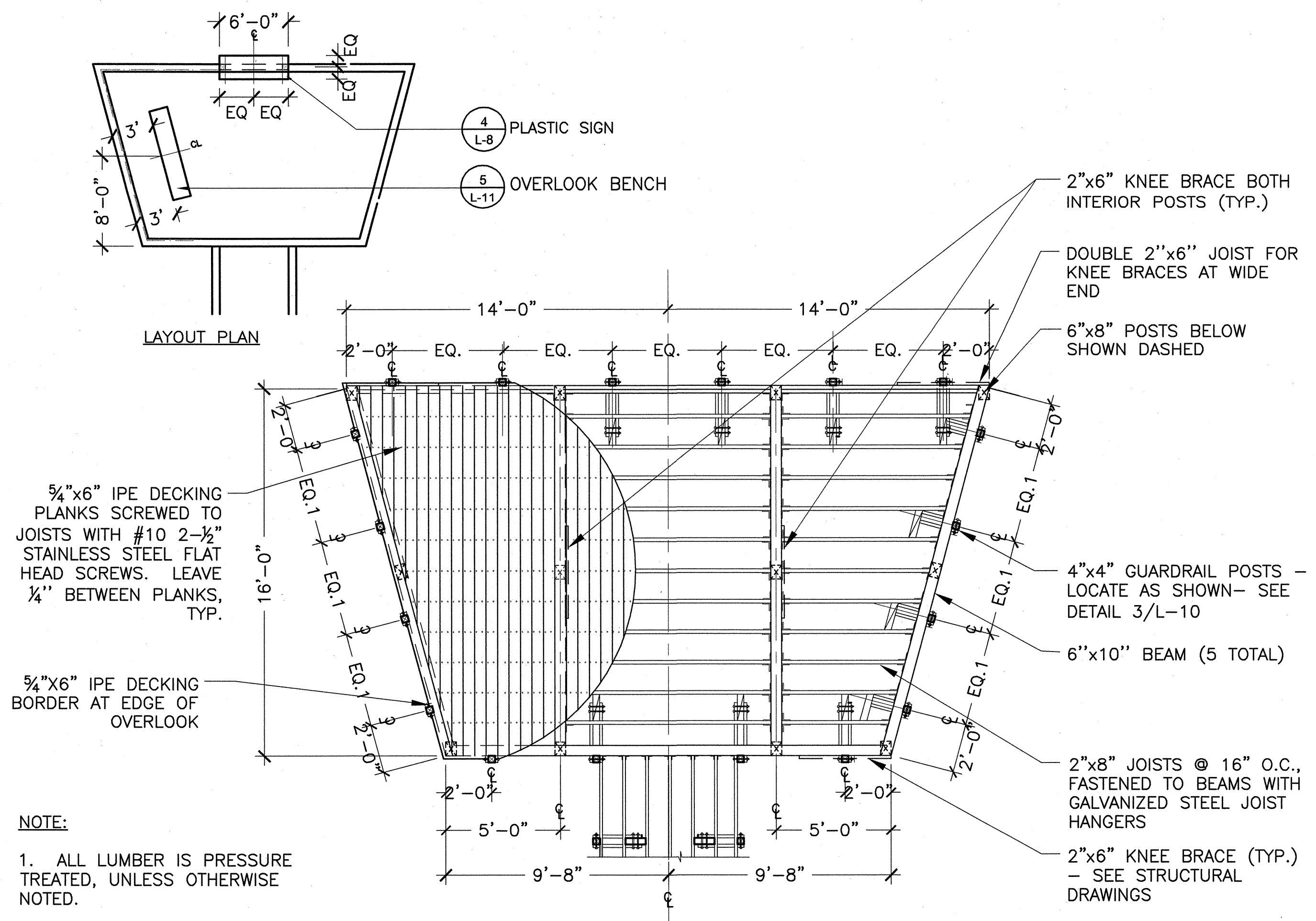


Scale	AS NOTED			
Date	SEPTEMBER 1, 2010			
Job No.	CAM			
Designed by	EJW			
Drawn by	MKO			
Checked by	RWG/KB	No.	Description	Date
Approved by	RWG		REVISIONS	

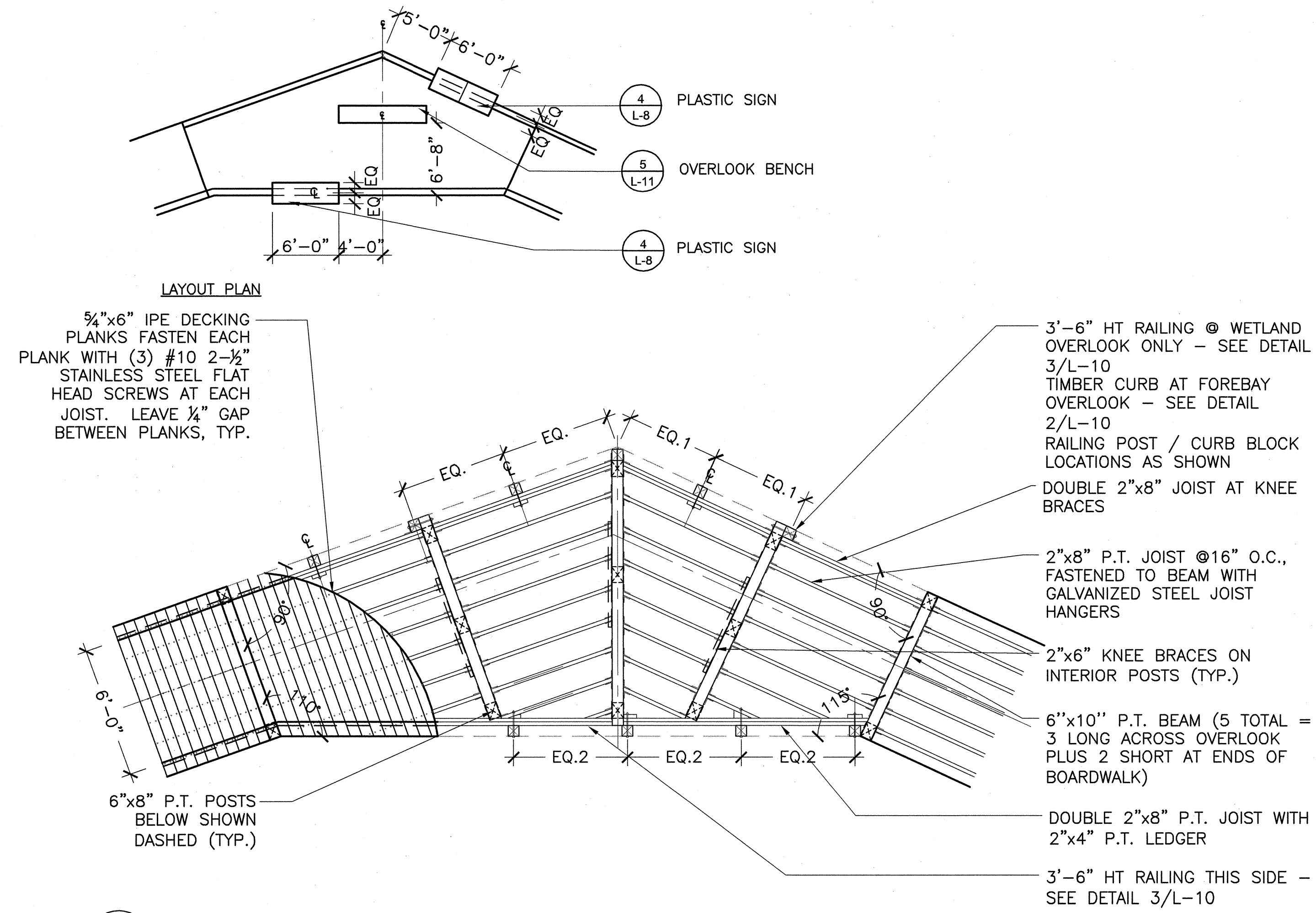


CITY OF CAMBRIDGE, MASSACHUSETTS	
CAMBRIDGE PARK DRIVE AREA DRAINAGE IMPROVEMENTS	
CONTRACT NO. 12	
STORMWATER TREATMENT AREA AND MITIGATION AREA LAYOUT AND MATERIAL DETAILS II	

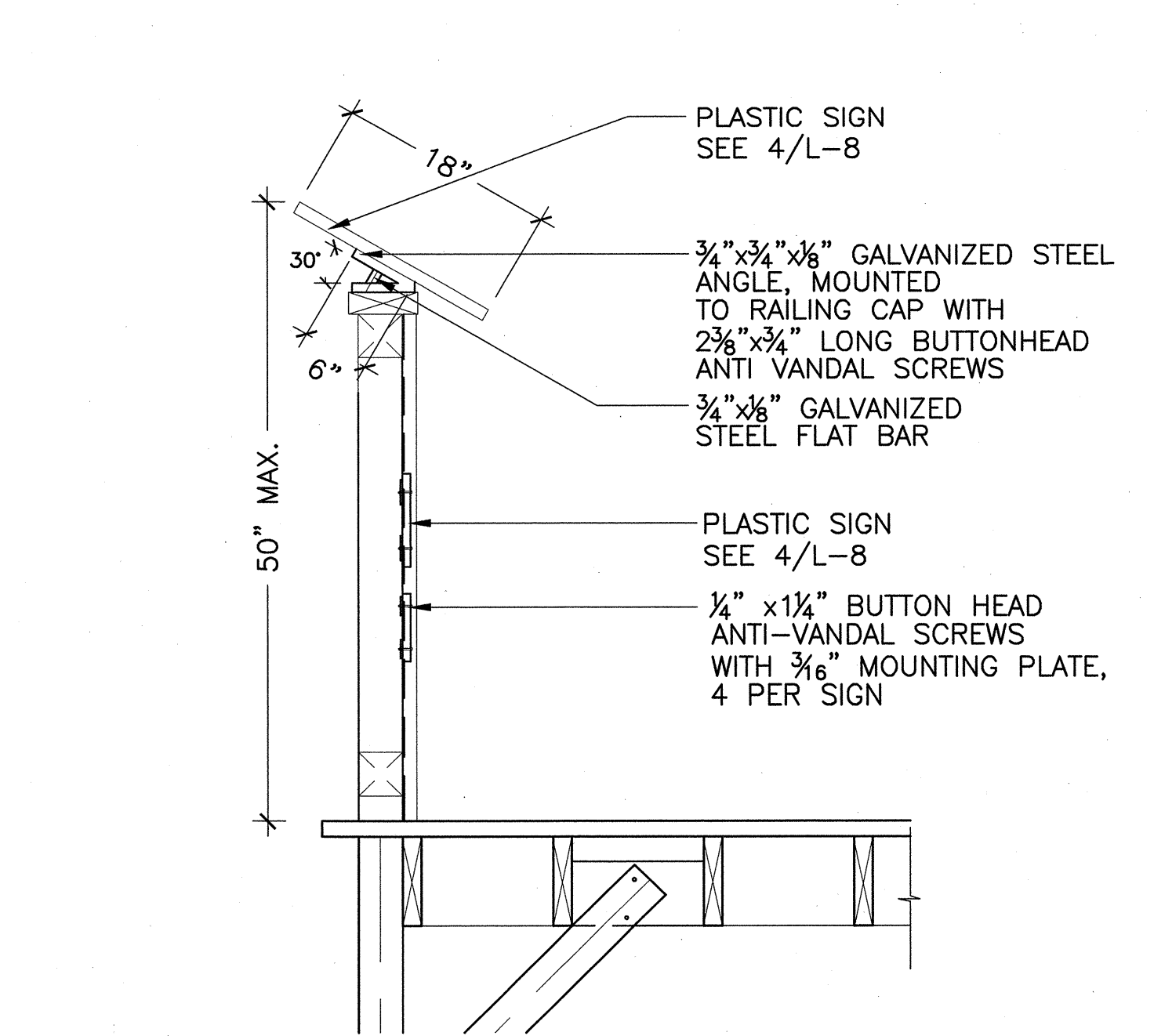
Sheet No.	L-9
File No.	



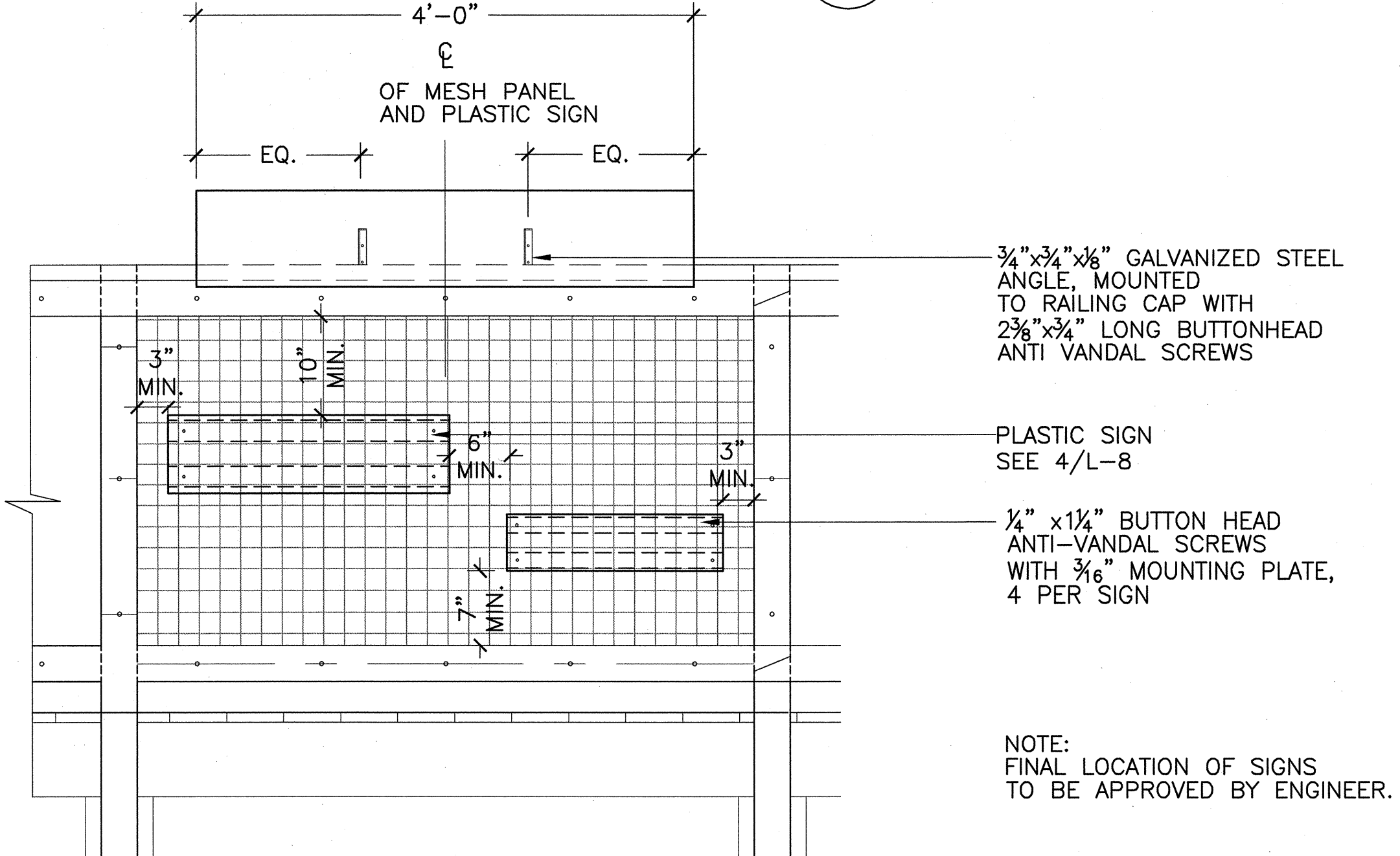
1 TIMBER OVERLOOK FRAMING PLAN, TYPE 1
SCALE: 1/4" = 1'-0"



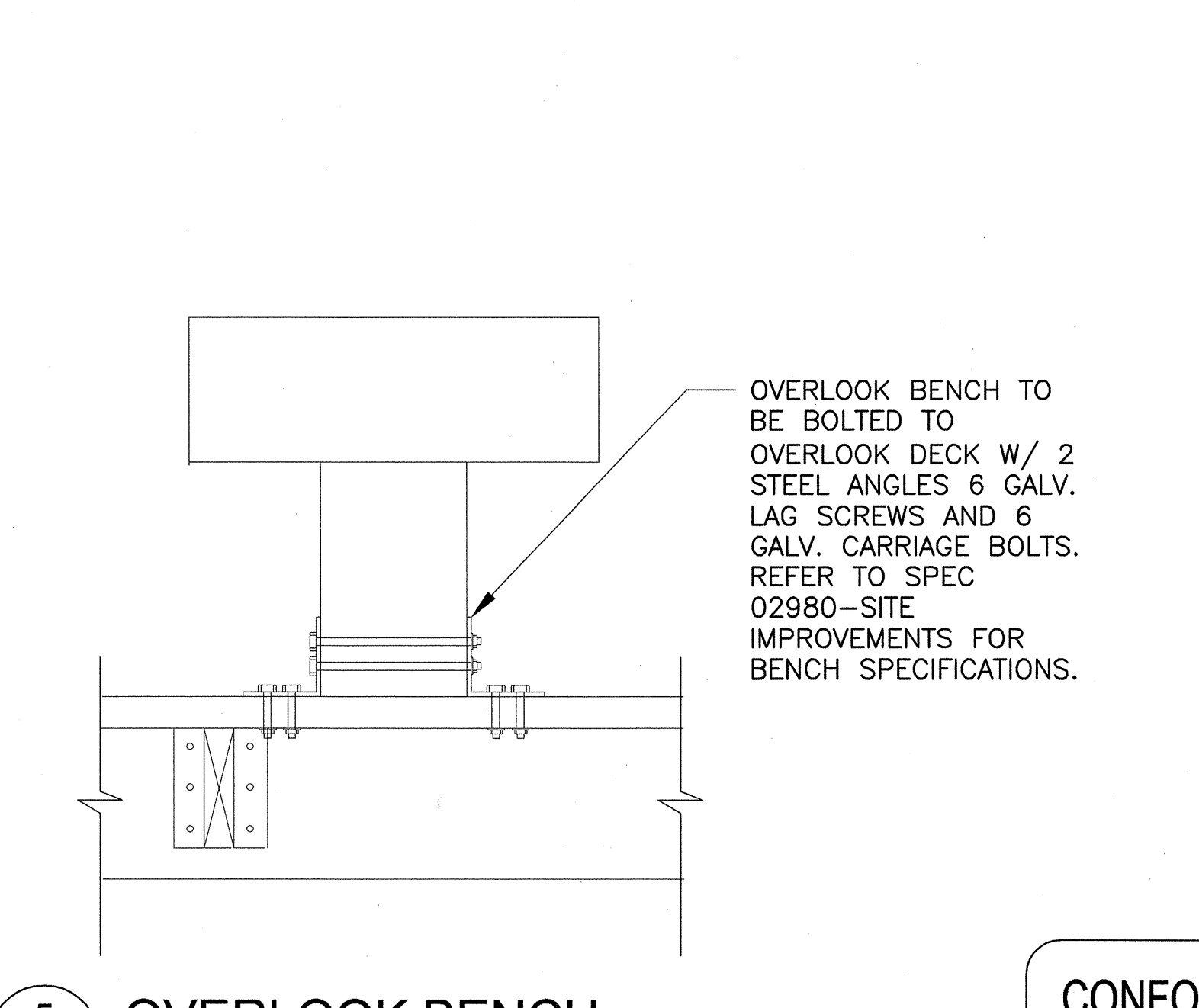
2 TIMBER OVERLOOK FRAMING PLAN, TYPE 2
SCALE: NTS



3 SIGNAGE ATTACHMENT (SECTION)
SCALE: NTS

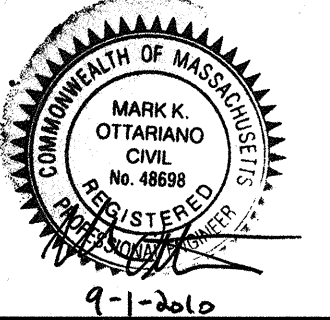


4 SIGNAGE ATTACHMENT (ELEVATION)
SCALE: NTS

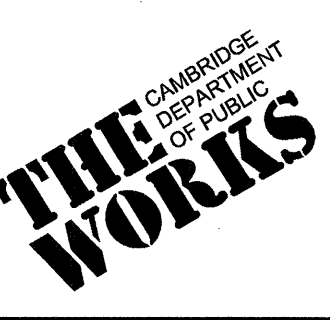


5 OVERLOOK BENCH
SCALE: NTS

CONFORMED SET



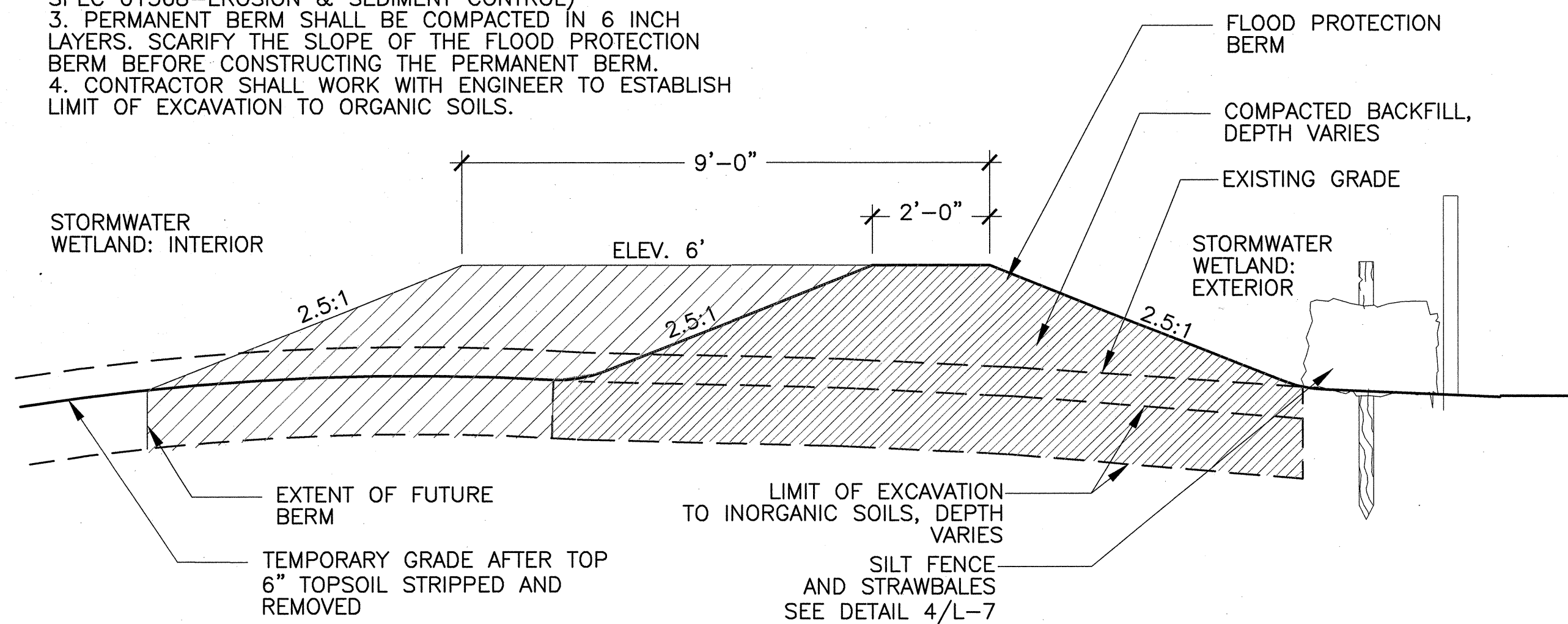
Scale	AS NOTED		
Date	SEPTEMBER 1, 2010		
Job No.	CAM		
Designed by	EJW		
Drawn by	MKO		
Checked by	RWG/KB	No.	Description
Approved by	RWG		REVISIONS



CITY OF CAMBRIDGE, MASSACHUSETTS	
CAMBRIDGEPARK DRIVE AREA DRAINAGE IMPROVEMENTS	
CONTRACT NO. 12	
STORMWATER TREATMENT AREA AND MITIGATION AREA	
LAYOUT AND MATERIAL DETAILS IV	

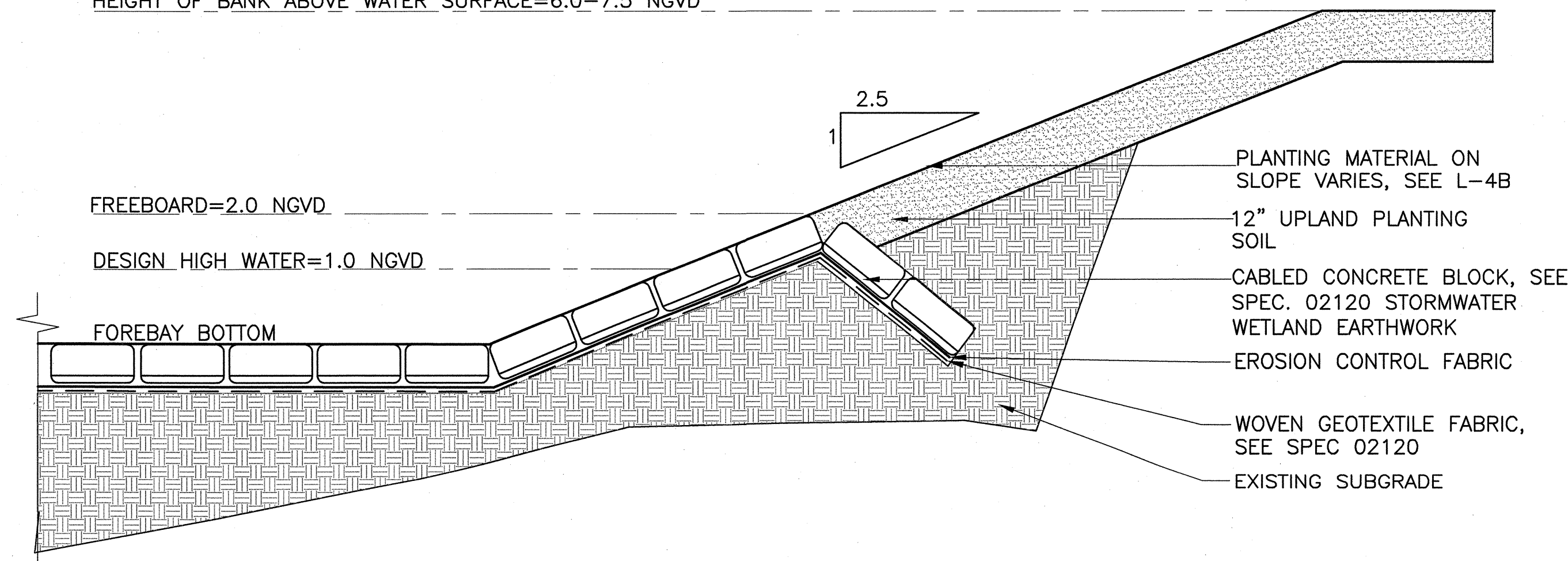
Sheet No.	L-11
File No.	

- NOTES:
 1. FLOOD PROTECTION BERM SHALL BE COMPACTED IN 6 INCH LAYERS
 2. BERM TO BE SEEDED WITH COVER CROP SEED MIX (SEE SPEC 01568-EROSION & SEDIMENT CONTROL)
 3. PERMANENT BERM SHALL BE COMPACTED IN 6 INCH LAYERS. SCARIFY THE SLOPE OF THE FLOOD PROTECTION BERM BEFORE CONSTRUCTING THE PERMANENT BERM.
 4. CONTRACTOR SHALL WORK WITH ENGINEER TO ESTABLISH LIMIT OF EXCAVATION TO ORGANIC SOILS.

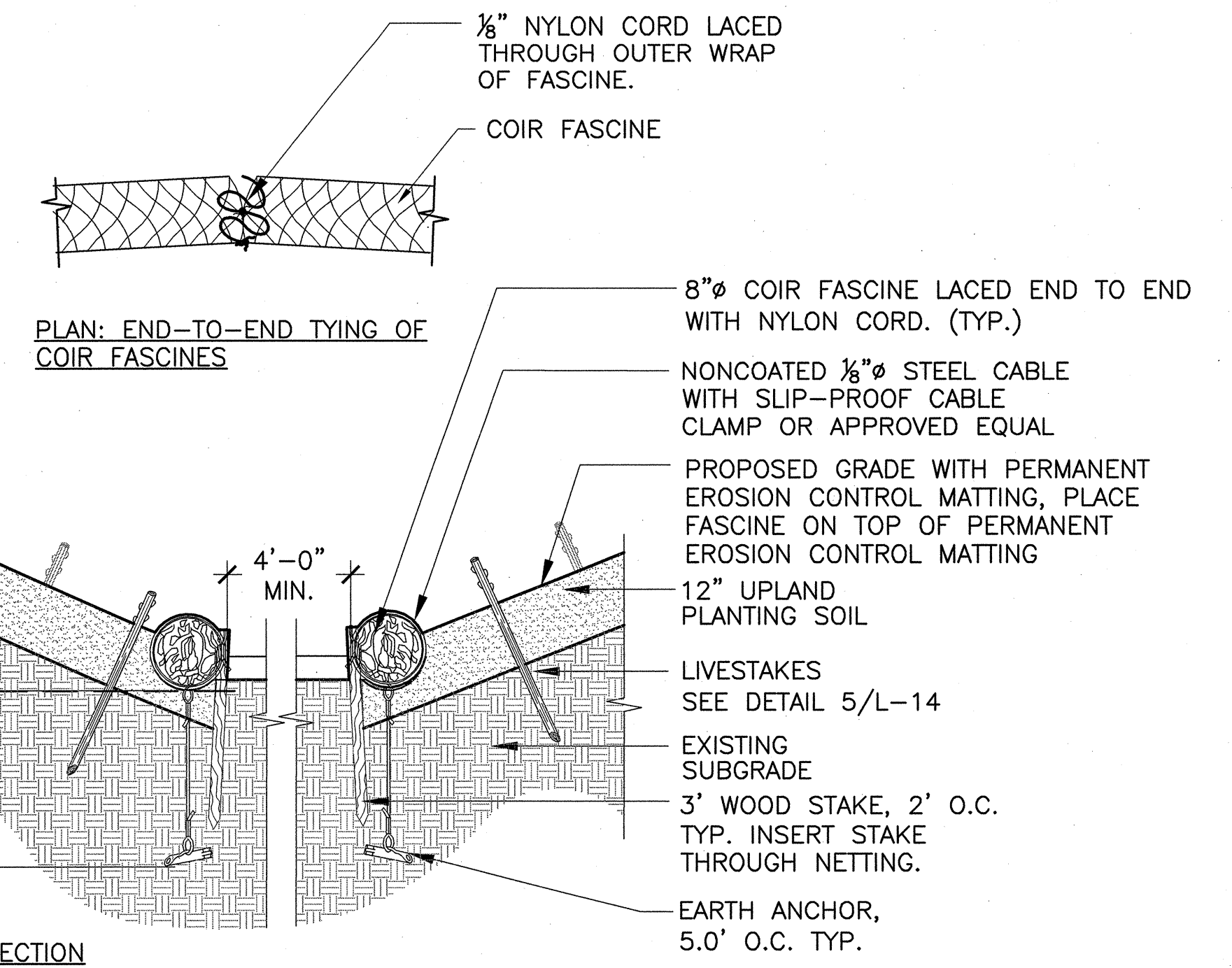


1 FLOOD PROTECTION BERM
 SCALE: NTS

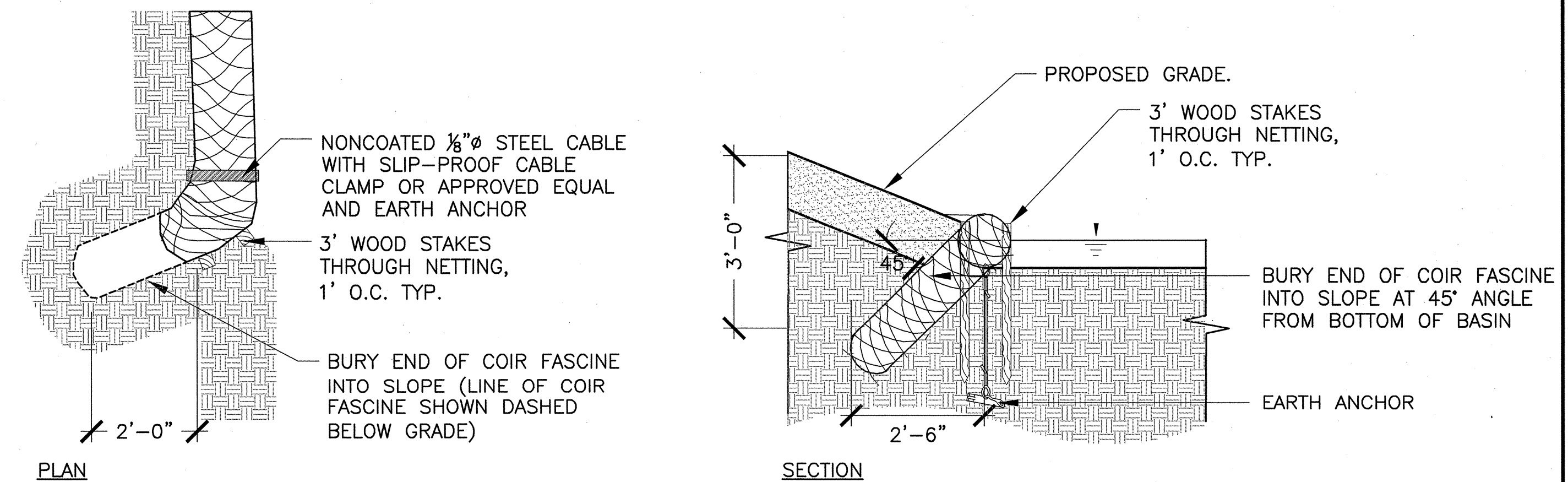
HEIGHT OF BANK ABOVE WATER SURFACE=6.0-7.5 NGVD



2 CABLED CONCRETE BLOCK
 SCALE: NTS

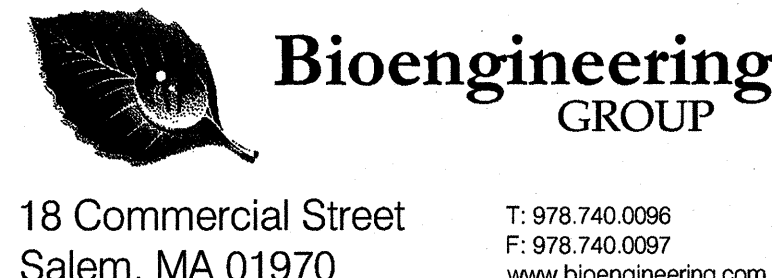


3 COIR FASCINE
 SCALE: NTS

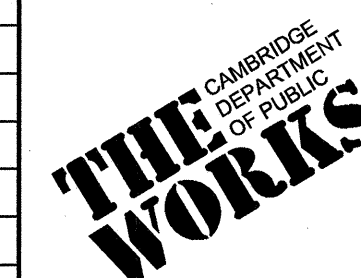


4 COIR END TREATMENT
 SCALE: NTS

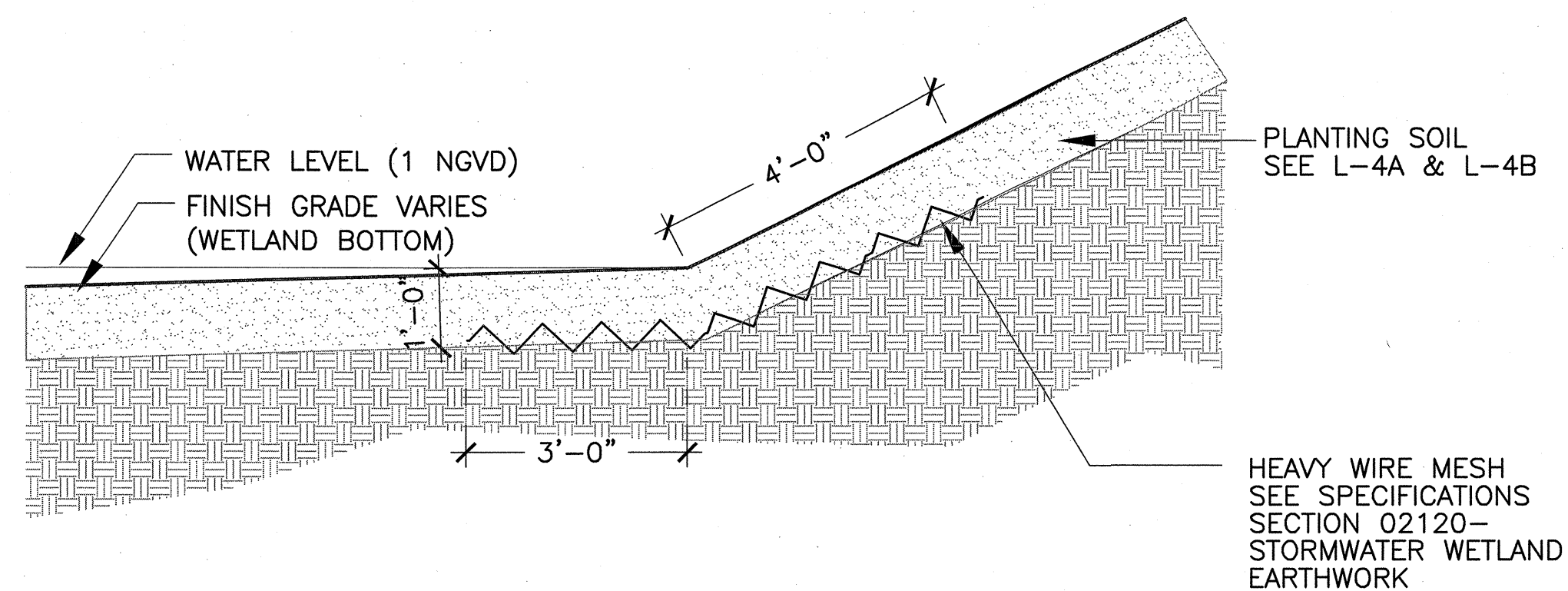
CONFORMED SET



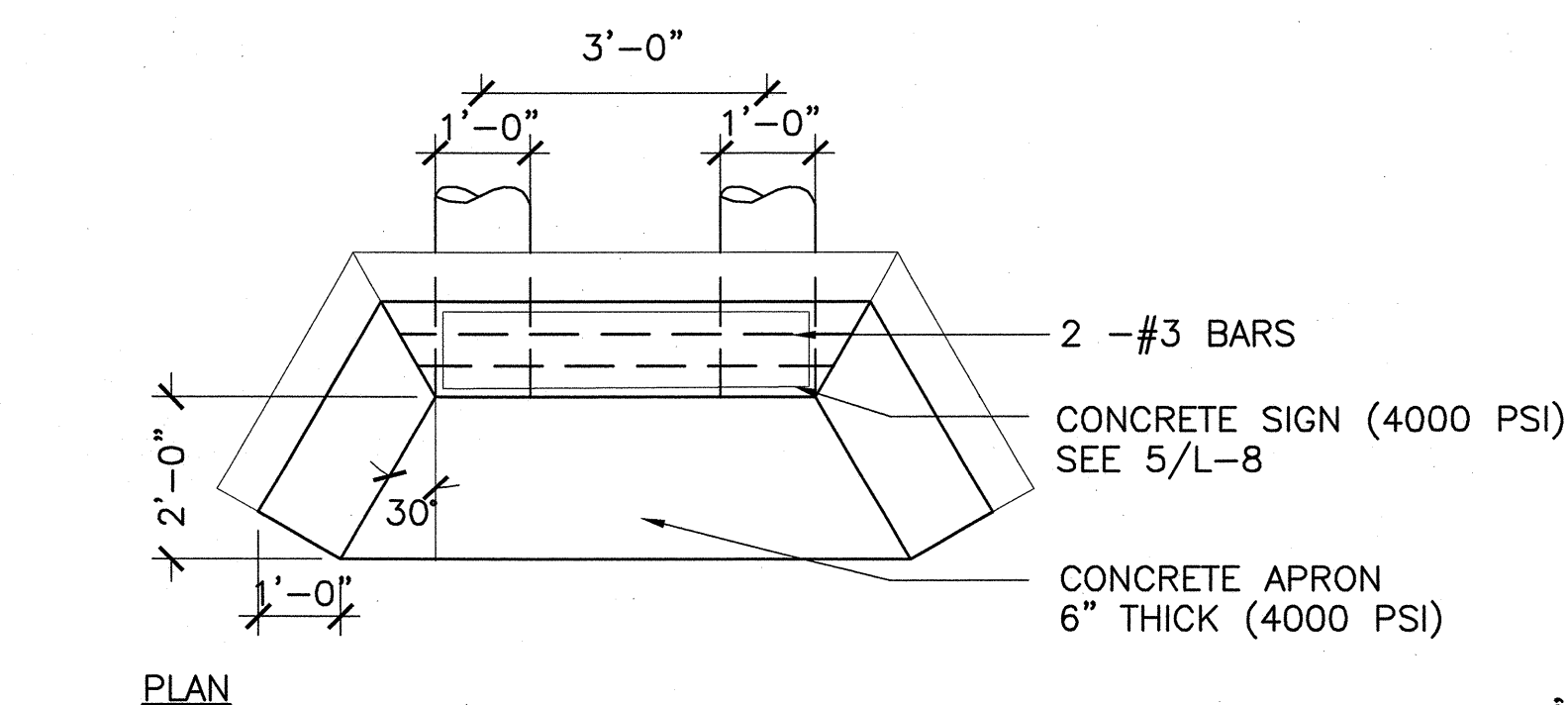
Scale	AS NOTED			
Date	SEPTEMBER 1, 2010			
Job No.	CAM			
Designed by	EJW			
Drawn by	MKO			
Checked by	RWG/KB	No.	Description	Date
Approved by	RWG		REVISIONS	



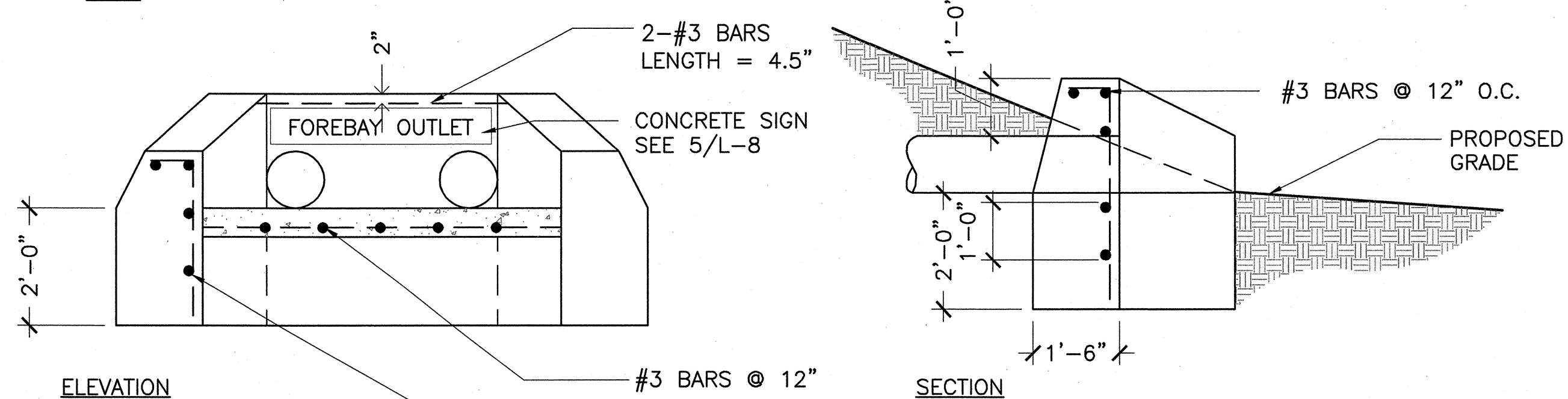
CITY OF CAMBRIDGE, MASSACHUSETTS	Sheet No.
CAMBRIDGEPARK DRIVE AREA DRAINAGE IMPROVEMENTS CONTRACT NO. 12	L-12
STORMWATER TREATMENT AREA AND MITIGATION AREA GRADING AND DRAINAGE DETAILS I	File No.



1 RODENT CONTROL
SCALE: NTS
L-13



PLAN



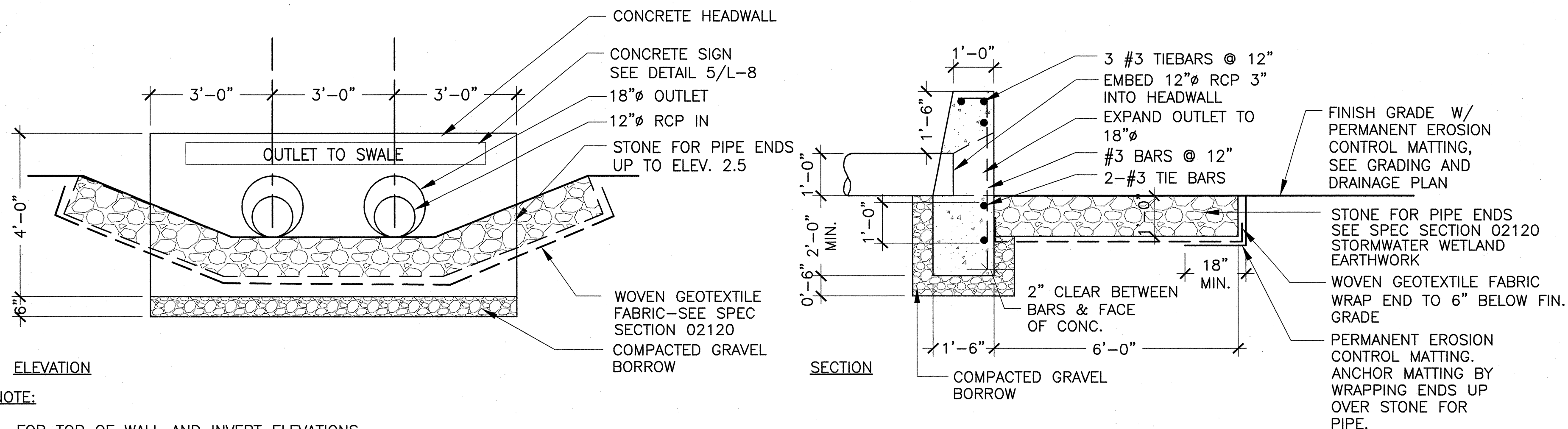
ELEVATION

SECTION

NOTES:

- ALL BARS #3 @ 12" MIN, 2" CLEAR OF OUTSIDE FACE OR AS SHOWN
- SEE GRADING PLANS FOR TOP OF WALL AND INVERT ELEVATIONS.

2 CROSS BERM INLET
SCALE: NTS
L-13



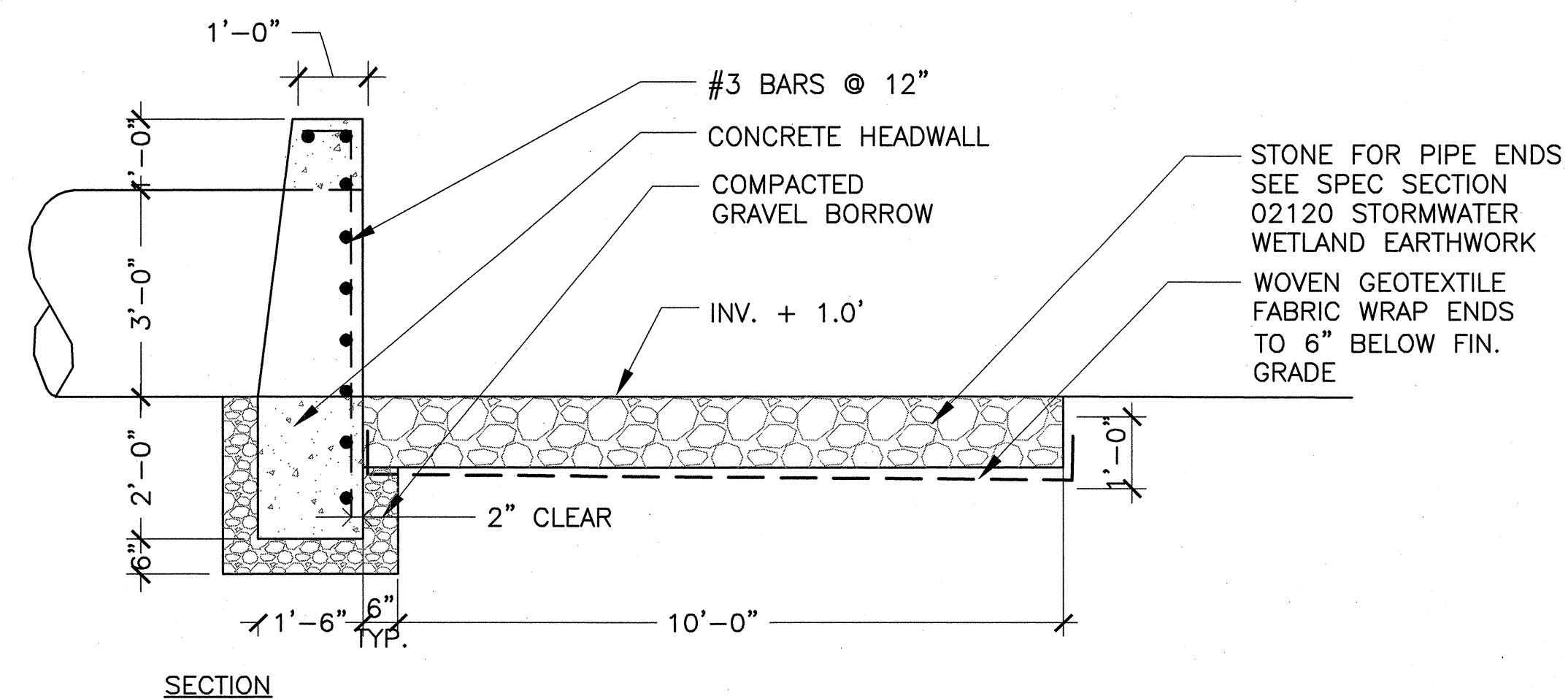
ELEVATION

SECTION

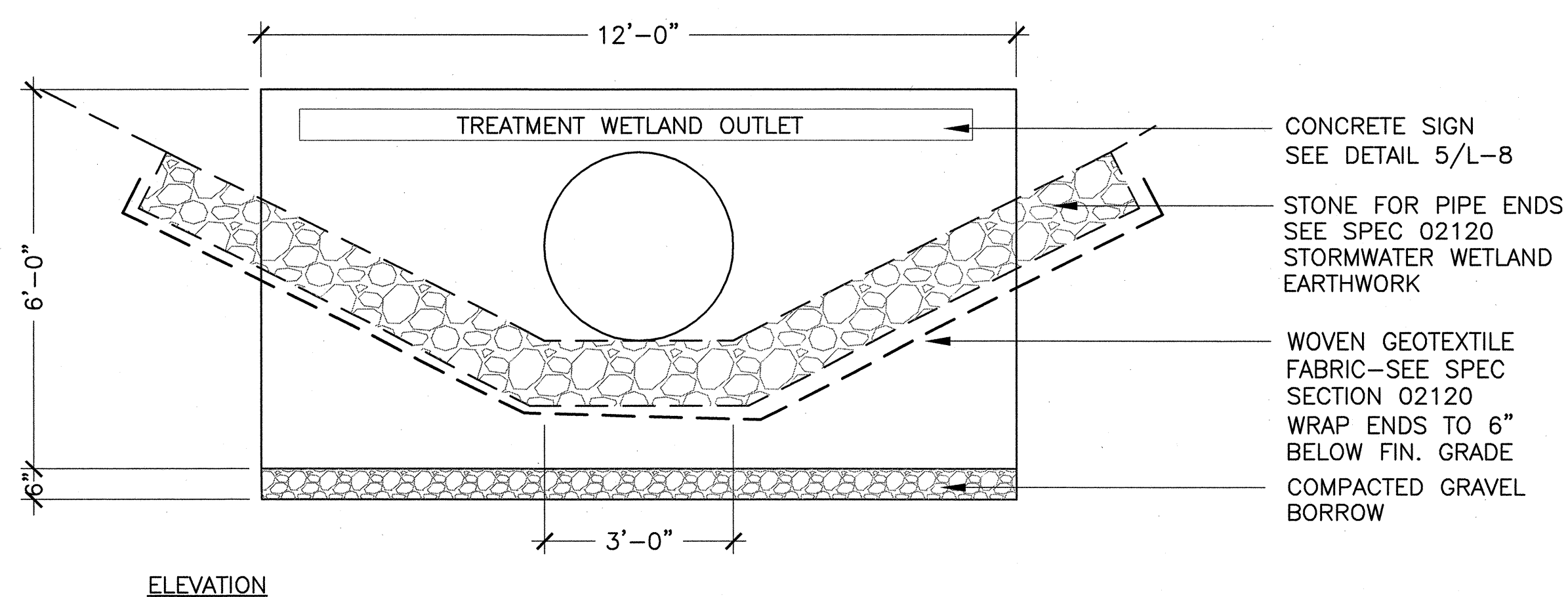
NOTE:

- FOR TOP OF WALL AND INVERT ELEVATIONS, SEE GRADING PLANS

3 CROSS BERM OUTLET
SCALE: NTS
L-13



SECTION



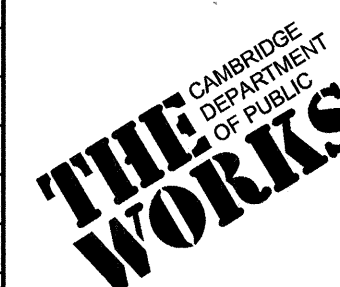
ELEVATION

4 WETLAND OUTLET
SCALE: NTS
L-13

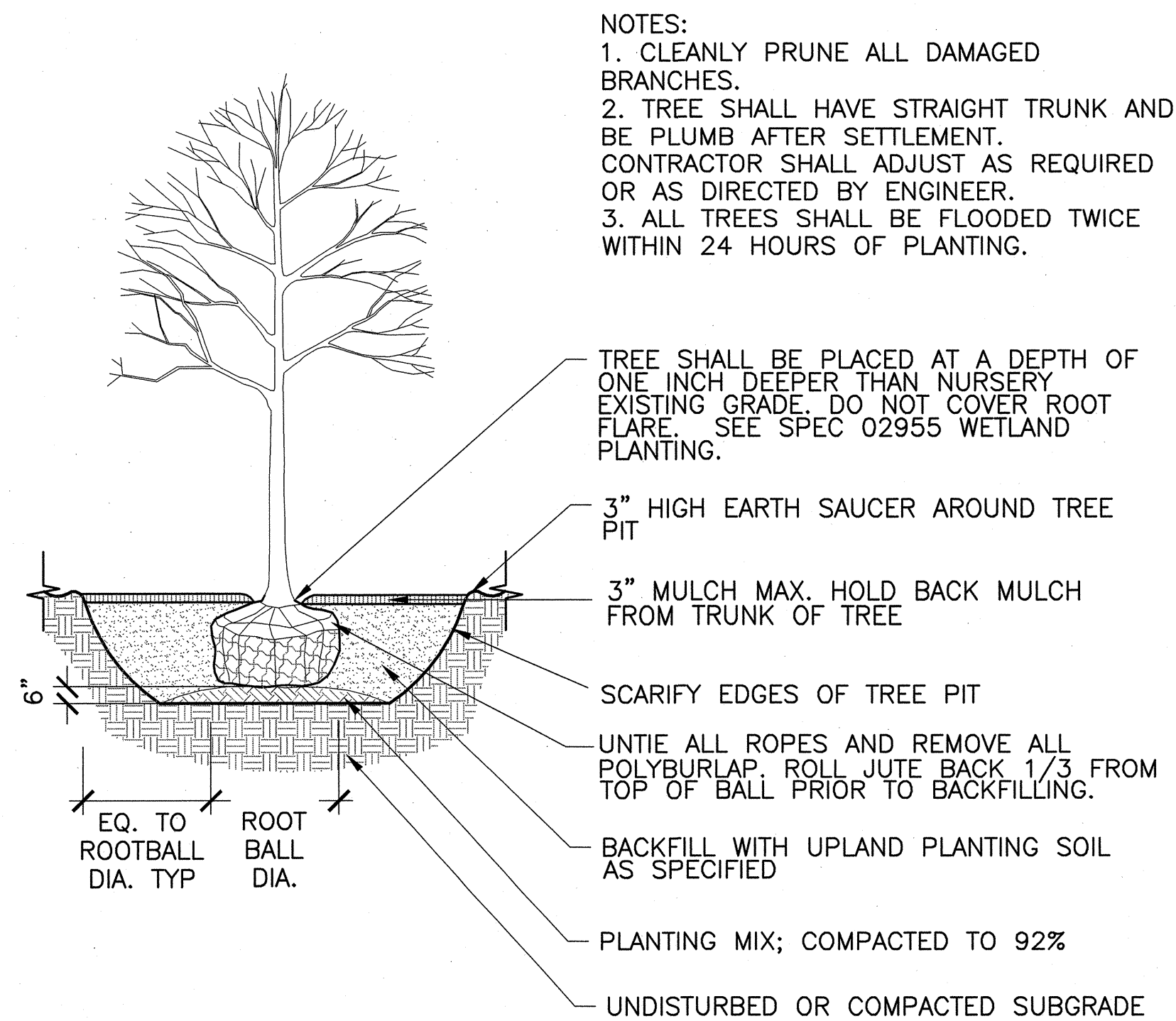
CONFORMED SET



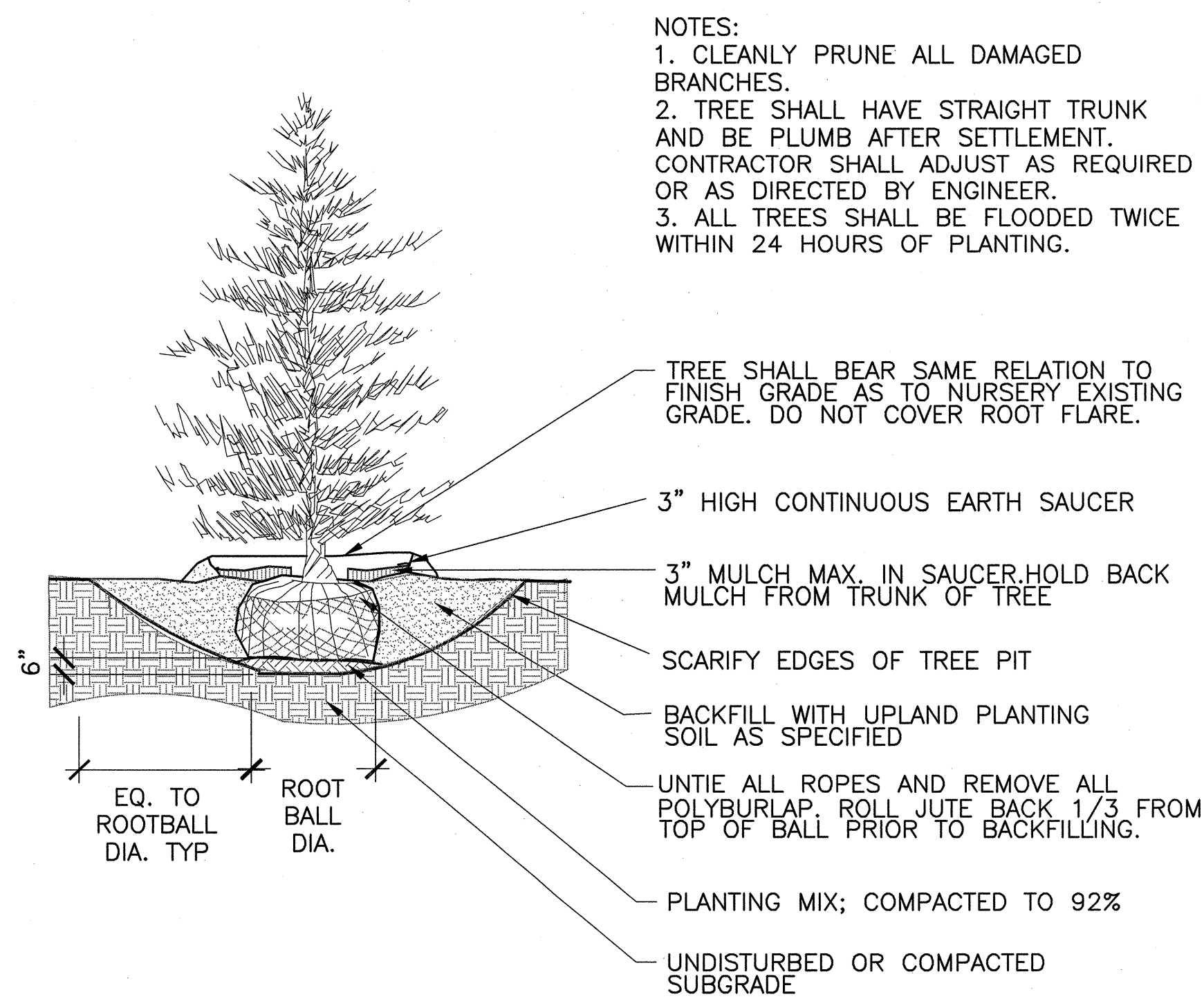
Scale	AS NOTED			
Date	SEPTEMBER 1, 2010			
Job No.	CAM			
Designed by	EJW			
Drawn by	MKO			
Checked by	RWG/KB	No.	Description	Date
Approved by	RWG		REVISIONS	



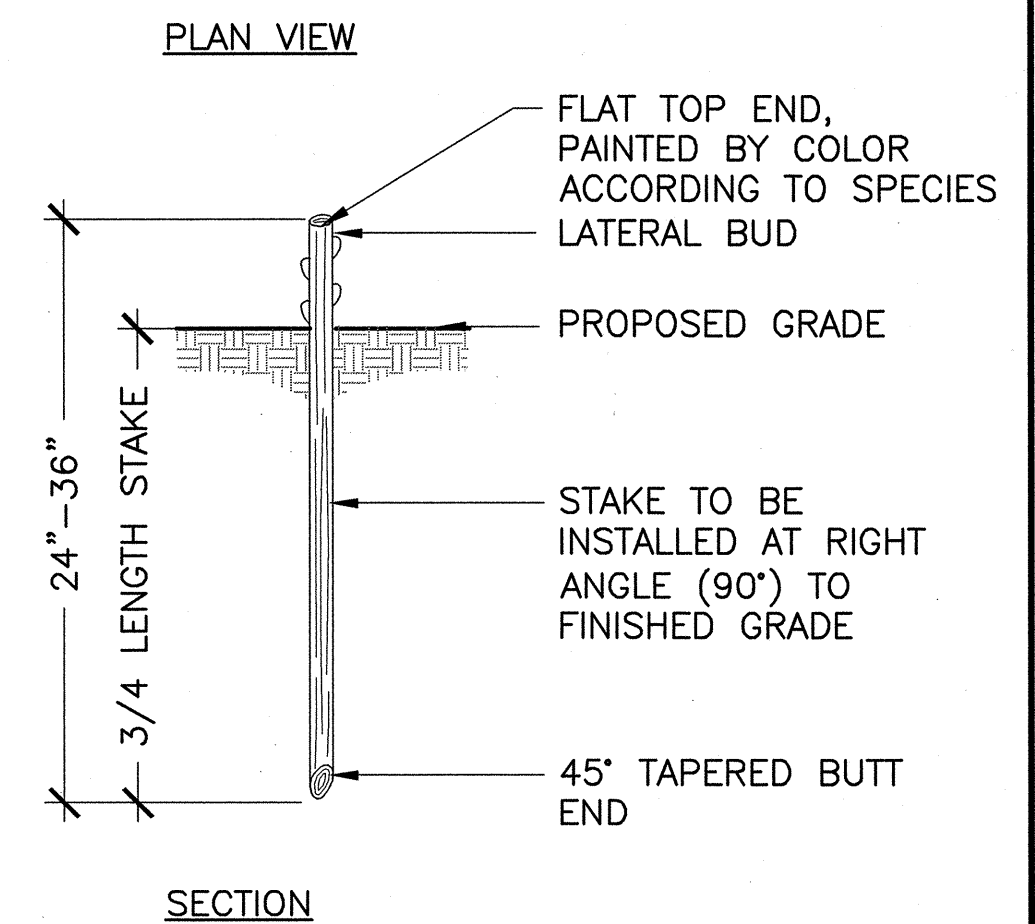
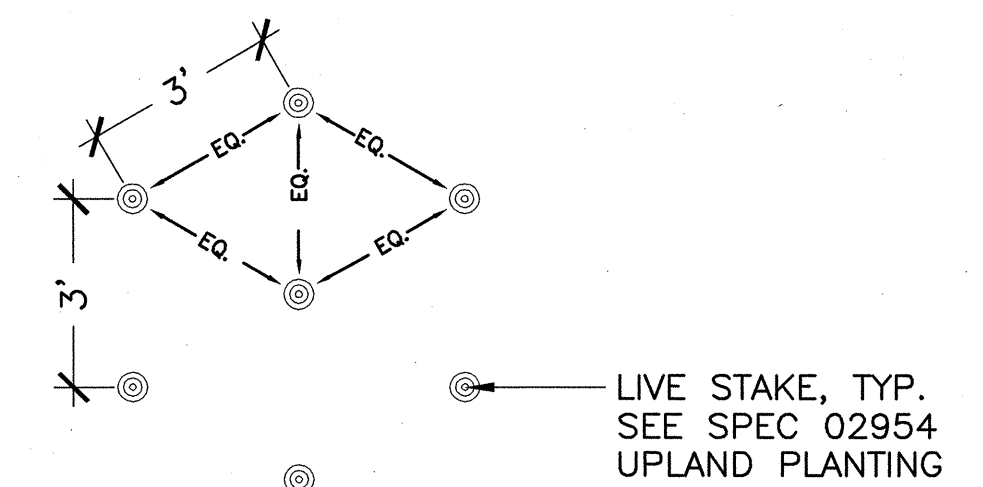
CITY OF CAMBRIDGE, MASSACHUSETTS	Sheet No.
CAMBRIDGEPARK DRIVE AREA DRAINAGE IMPROVEMENTS	L-13
CONTRACT NO. 12	File No.
STORMWATER TREATMENT AREA AND MITIGATION AREA GRADING AND DRAINAGE DETAILS II	



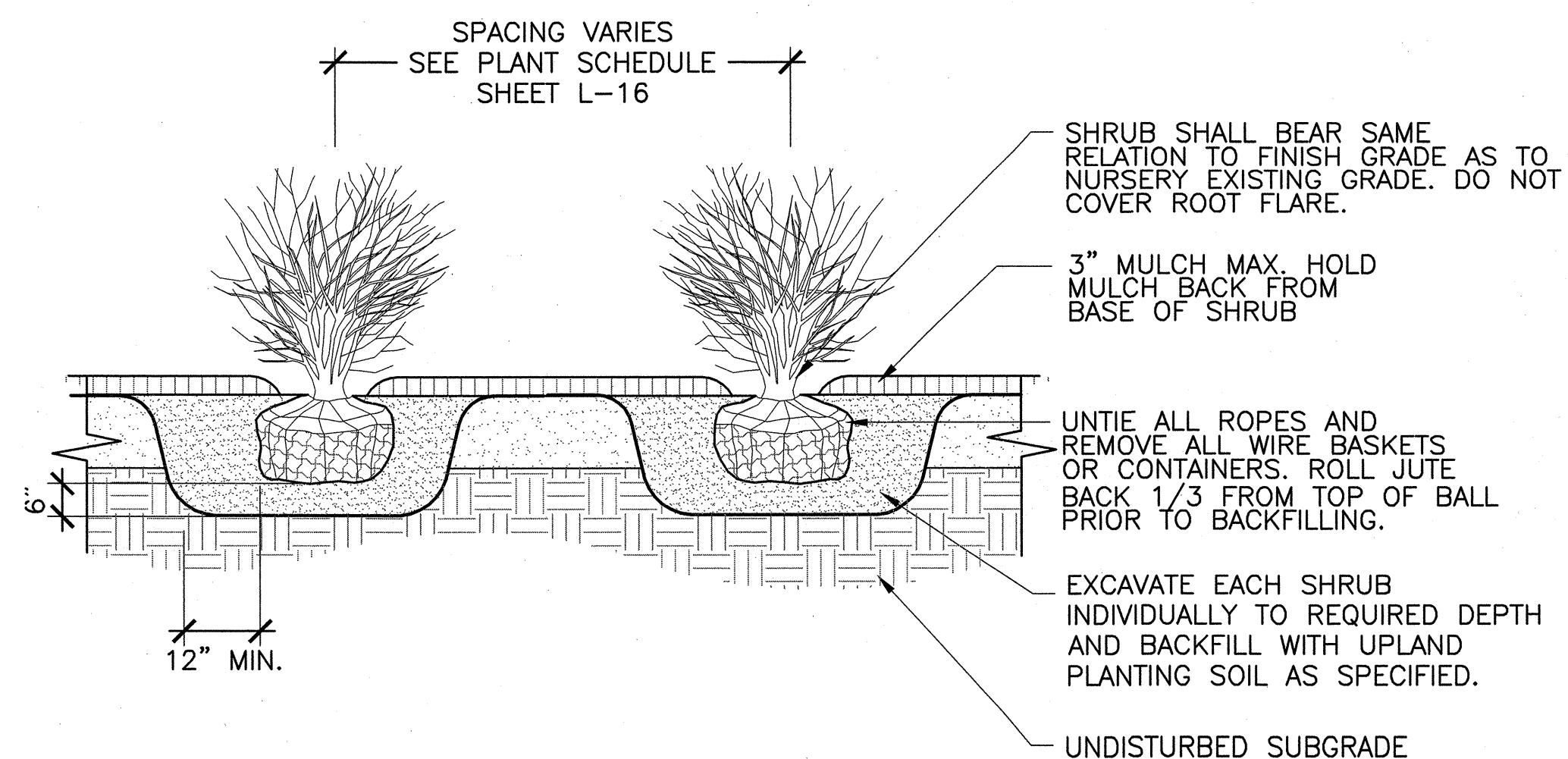
1 DECIDUOUS TREE PLANTING
 L-14 SCALE: NTS



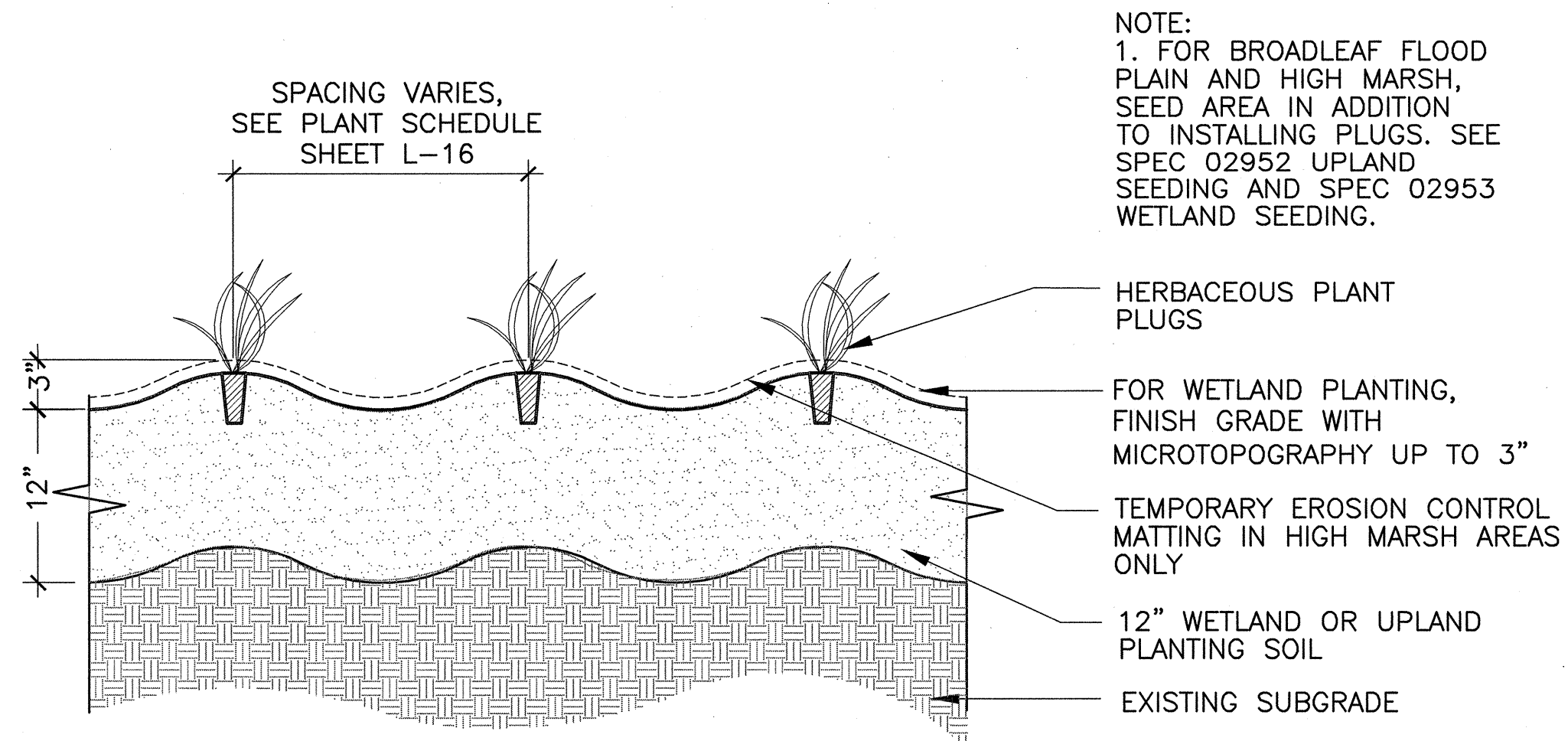
3 EVERGREEN TREE PLANTING
 L-14 SCALE: NTS



5 LIVESTAKE PLANTING
 L-14 SCALE: NTS

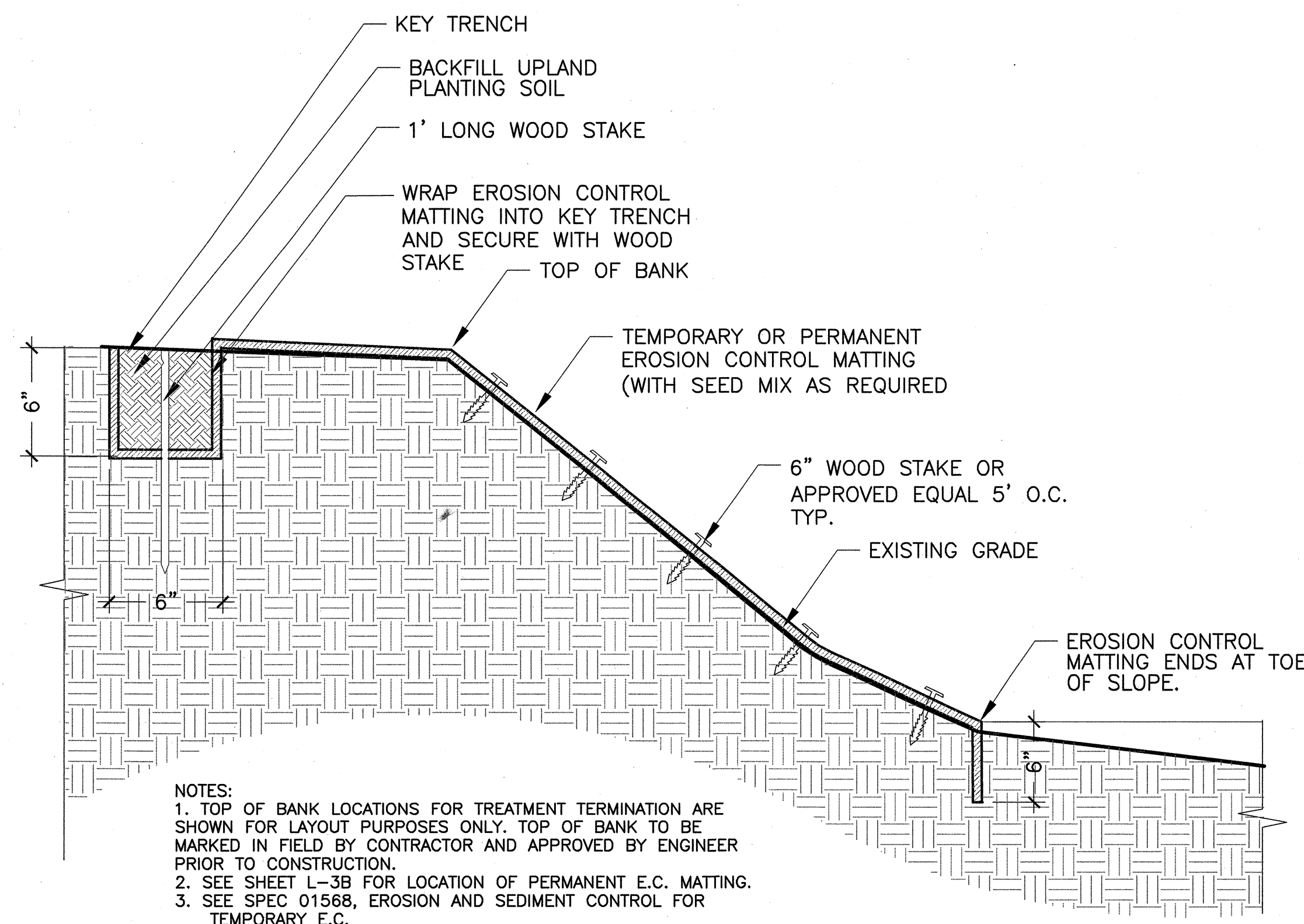


2 SHRUB PLANTING
 L-14 SCALE: NTS

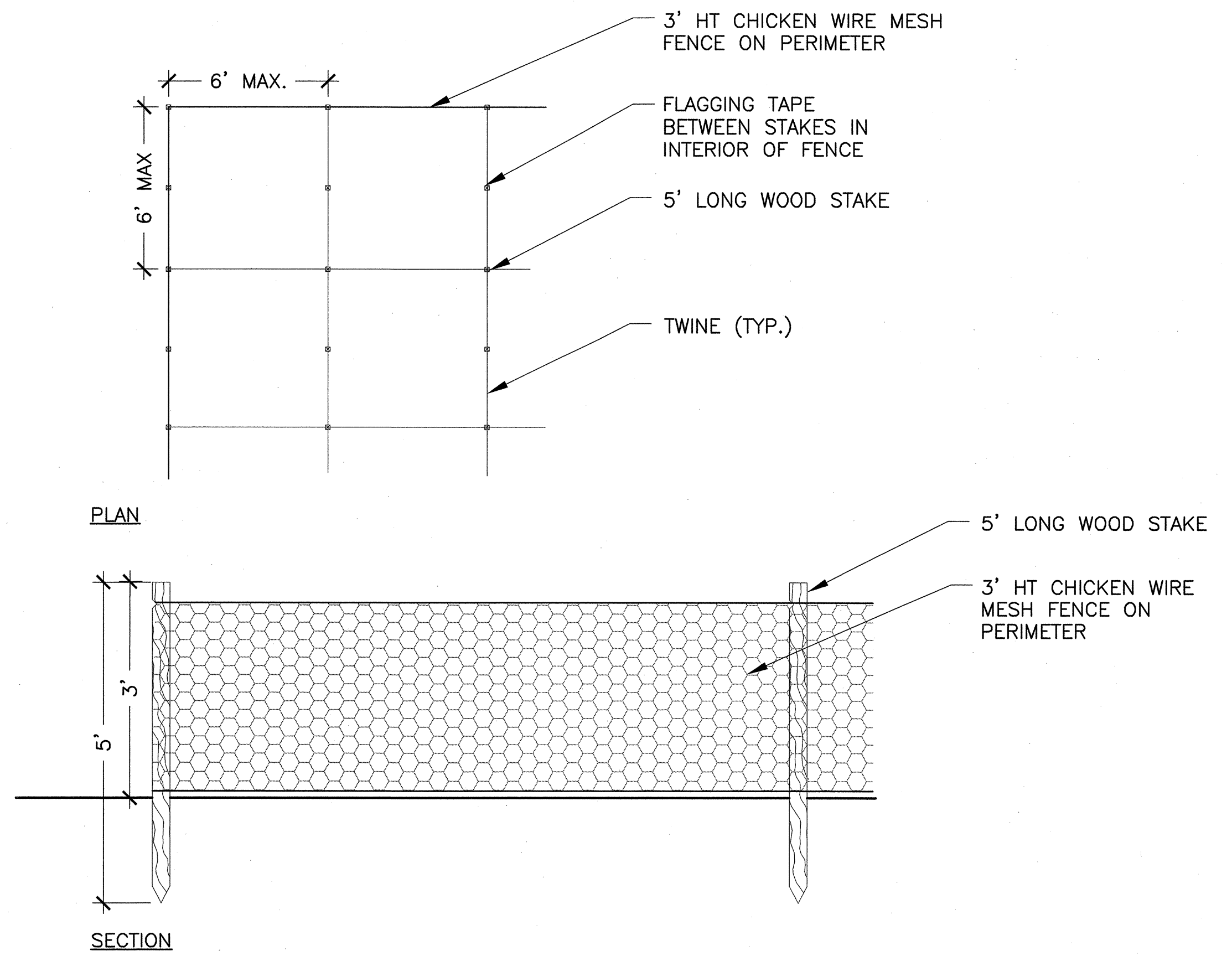


4 HERBACEOUS PLANTING
 L-14 SCALE: NTS

CONFORMED SET



1 EROSION CONTROL MATTING
 L-15 SCALE: NTS



2 GOOSE DETERRENT FENCE
 L-15 SCALE: NTS

CONFORMED SET

ENTRY WAY	TOTAL PLANTING AREA	ESTIMATED NUMBER	SYMBOL	SCIENTIFIC NAME	COMMON NAME	SIZE	SPACING	COMMENTS
TALL TURF SEED MIX	510 sf	2	Qr	Quercus rubra *	Red Oak	3" cal	25' O.C.	
SEE SHEET L-5								

AMPHI THEATRE	TOTAL PLANTING AREA	ESTIMATED NUMBER	SYMBOL	SCIENTIFIC NAME	COMMON NAME	SIZE	SPACING	COMMENTS
TALL TURF SEED MIX	5000 sf	1	Qa	Quercus alba *	White Oak	4" cal.	SEE L-6	
		3	Ns	Nyssa sylvatica *	Tupelo	2" cal.	SEE L-6	
		8	Bn	Betula Nigra *	River Birch	10' ht	SEE L-6	B&B Clump, 3-5 Stems
SEE SHEET L-6		256	Va	Vaccinium angustifolium	Low Bush Blueberry	6"-8" ht; #2 cont.	2' O.C.	

HABITAT TYPE / SEED MIX	TOTAL PLANTING AREA	ESTIMATED NUMBER	SYMBOL	SCIENTIFIC NAME	COMMON NAME	SIZE	SPACING	COMMENTS
RIPARIAN WOODLAND TYPE 1	29,180 sf	ELEVATION: 6'-8' 8'-14'						Plant in groups of 2 or 3 plants of the same species, typ.
WOODLAND SEED MIX		7	Ac	Amelanchier canadensis *	Shadblow Serviceberry	8' ht	10' O.C. min	B&B Clump, 3-5 Stems
		7	Bp	Betula populifolia	Gray Birch	8' ht	10' O.C. min	B&B Clump, 3-5 Stems
		7	Ps	Pinus strobus *	White Pine	8' ht	10' O.C. min	B&B
		8	Qr	Quercus rubrum *	Red Oak	2" cal	20' O.C. min	B&B
		29	Gp	Gaylussacia baccata	Black Huckleberry	18"-24" ht; #3 cont.	3' O.C. min	Plant in masses of 5-15 plants of the same species.
		58	Mp	Myrica pennsylvanica	Northern Bayberry	18"-24" ht; #3 cont.	3' O.C. min	
SEE L-4A - L-4B		44	Va	Vaccinium angustifolium	Lowbush Blueberry	6"-8" ht; #3 cont.	3' O.C. min	

HABITAT TYPE / SEED MIX	TOTAL PLANTING AREA	ESTIMATED NUMBER	SYMBOL	SCIENTIFIC NAME	COMMON NAME	SIZE	SPACING	COMMENTS
RIPARIAN WOODLAND TYPE 2	39,410 sf	ELEVATION: 1'-3' 3'-6'						Plant in groups of 2 or 3 plants of the same species, typ.
WET WOODLAND SEED MIX		5	Ar	Acer rubrum *	Red maple	8' ht	20' O.C. min	B&B Clump, 3-5 Stems
		5	Ar	Acer rubrum *	Red maple	2" cal	20' O.C. min	Alternate with clump variety
		19	Au	Alnus rugosa	Hazel alder	2" cal	20' O.C. min	B&B Clump, 3-5 Stems
		7	Fp	Fraxinus pennsylvanica	Green ash	2" cal	20' O.C. min	B&B
		6	Ns	Nyssa sylvatica	Tupelo	2" cal	20' O.C. min	B&B
		20	Sn	Salix nigra	Black willow	2" cal	20' O.C. min	B&B
		16	Ua	Ulmus americana	American elm	2" cal	20' O.C. min	B&B
		5	Qb	Quercus bicolor	Swamp white oak	2" cal	20' O.C. min	B&B
		104	le	Ilex verticillata	Common winterberry	18"-24" ht; #3 cont.	3' O.C. min	Plant in masses of 5 plants of the same species, typ. Include 6 male plants
SEE L-4A - L-4B		117	Vd	Viburnum dentatum	Arrowwood viburnum	2'-3" ht; #3 cont.	3' O.C. min	
		118	Vt	Viburnum trilobum	Cranberry viburnum	2'-3" ht; #3 cont.	3' O.C. min	

HABITAT TYPE / SEED MIX	TOTAL PLANTING AREA	ESTIMATED NUMBER	SYMBOL	SCIENTIFIC NAME	COMMON NAME	SIZE	SPACING	COMMENTS
SCRUB/SHRUB TYPE 1	8,530 sf	ELEVATION: 1'-6'						Plant in masses of 5-15 plants of the same species, typ.
WET WOODLAND SEED MIX		177	Co	Cephalanthus occidentalis	Buttonbush	Livestakes	3' O.C.	Dormant Installation Only
		177	Ca	Cornus amomum	Silky Dogwood	Livestakes	3' O.C.	Dormant Installation Only
SEE L-4A - L-4B		177	Sd	Salix discolor	Pussy Willow	Livestakes	3' O.C.	Dormant Installation Only

HABITAT TYPE / SEED MIX	TOTAL PLANTING AREA	ESTIMATED NUMBER	SYMBOL	SCIENTIFIC NAME	COMMON NAME	SIZE	SPACING	COMMENTS
SCRUB/SHRUB TYPE 2	14,700 sf	ELEVATION: 1'-6'						Plant in masses of 3 plants of the same species, typ.
WET WOODLAND SEED MIX		105	Am	Aronia melanocarpa	Black Chokeberry	18"-24" ht; #2 cont.	3' O.C. min	
		105	Ca	Clethra alnifolia	Sweet Pepperbush	18"-24" ht; #2 cont.	3' O.C. min	
		105	Sl	Spiraea latifolia	Meadowweet	18"-24" ht; #2 cont.	3' O.C. min	
SEE L-4A - L-4B		105	Vc	Vaccinium corymbosum	Highbush blueberry	18"-24" ht; #2 cont.	3' O.C. min	

NOTES:
 ALL ELEVATIONS REFER TO NATIONAL GEODETIC VERTICAL DATUM, (NGVD).
 * TREES TO RECEIVE TREE GATORS. USE TREE GATORS FOR TREES PLANTED ON SLOPES ≤ 5%.

HABITAT TYPE / SEED MIX	TOTAL PLANTING AREA	ESTIMATED NUMBER	SYMBOL	SCIENTIFIC NAME	COMMON NAME	SIZE	SPACING	COMMENTS
BROADLEAF FLOODPLAIN	4,270 sf	ELEVATION: 1'-6'						Plant in masses of 5-15 plants of the same species, typ.
NO SEED MIX		125	Ai	Asclepias incarnata	Swamp Milkweed	2" plug	2' O.C.	
		215	An	Aster novae angliae	New England Aster	2" plug	2' O.C.	
		125	Ap	Aster puniceus	Swamp Aster	2" plug	2' O.C.	
		125	Em	Eupatorium maculatum	Spotted Joe Pye Weed	2" plug	2' O.C.	
		44	Ep	Eupatorium perfoliatum	Boneset	2" plug	2' O.C.	
		44	Oc	Osmunda cinamomea	Cinnamon Fern	2" plug	2' O.C.	
		44	Or	Osmunda regalis	Royal Fern	2" plug	2' O.C.	
		44	Os	Onoclea sensibilis	Sensitive Fern	2" plug	2' O.C.	
SEE L-4A - L-4B		120	Sc	Solidago canadensis	Canada Goldenrod	2" plug	2' O.C.	
		125	Vh	Verbena hastata	Blue Vervain	2" plug	2' O.C.	
	PLANT TOTAL	1011						

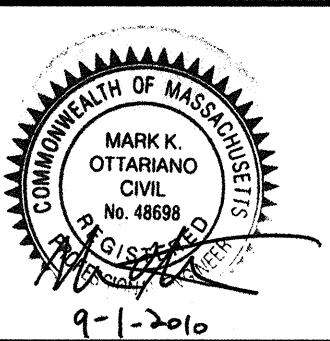
HABITAT TYPE / SEED MIX	TOTAL PLANTING AREA	ESTIMATED NUMBER	SYMBOL	SCIENTIFIC NAME	COMMON NAME	SIZE	SPACING	COMMENTS
HIGH MARSH	39,920 sf	ELEVATION: 0.5'-1.0'						Plant in masses of 5-15 plants of the same species, typ.
WETLAND SEED MIX AND BIONET		570	Cp	Caitha palustris	Marsh Marigold	2" plug	2' O.C.	
		560	Cs	Carex stipata	Common Fox Sedge	2" plug	2' O.C.	
		1085	Ct	Carex stricta	Tussock Sedge	2" plug	2' O.C.	
		570	Cv	Carex vulpinodea	Foxtail Sedge	2" plug	2' O.C.	
		570	Eh	Elymus hystrix	Bottlebrush Grass	2" plug	2' O.C.	
		570	Er	Elymus riparius	Riverbank Wild Rye	2" plug	2' O.C.	
		570	Ev	Elymus virginicus	Virginia Wild Rye	2" plug	2' O.C.	
		1085	Hm	Hibiscus moscheutos	Marsh Hibiscus	2" plug	2' O.C.	
		1085	Jc	Juncus canadensis	Canada Rush	2" plug	2' O.C.	
		1085	Je	Juncus effusus	Soft Rush	2" plug	2' O.C.	
SEE L-4A - L-4B		1085	Lo	Leersia oryzoides	Rice cut grass	2" plug	2' O.C.	
		1045	Sy	Scirpus cyperinus	Wool Grass	2" plug	2' O.C.	
	PLANT TOTAL	9,880						

HABITAT TYPE / SEED MIX	TOTAL PLANTING AREA	ESTIMATED NUMBER	SYMBOL	SCIENTIFIC NAME	COMMON NAME	SIZE	SPACING	COMMENTS
EMERGENT MARSH	41,310 sf	ELEVATION: 0.5'-0'						Plant in masses of 5-15 plants of the same species, typ.
NO SEED MIX		13,765	Ct	Carex stricta	Tussock Sedge	2" plug	8" O.C.	
		13,765	Ep	Eleocharis palustris	Spike Rush	2" plug	8" O.C.	
		13,765	Iv	Iris versicolor	Blue Flag Iris	2" plug	8" O.C.	
		13,765	Je	Juncus effusus	Soft Rush	2" plug	8" O.C.	
		13,765	Pv	Peltandra virginica	Arrow Arum	2" plug	8" O.C.	
		13,765	Sa	Sparganium americanum	Lesser Bur-reed	2" plug	8" O.C.	
SEE L-4A - L-4B		13,765	St	Scirpus atrovirens	Green Bulrush	2" plug	8" O.C.	
	PLANT TOTAL	96,355						

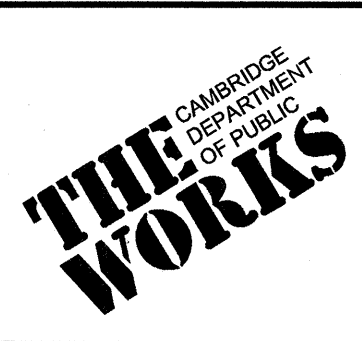
HABITAT TYPE / SEED MIX	TOTAL PLANTING AREA	ESTIMATED NUMBER	SYMBOL	SCIENTIFIC NAME	COMMON NAME	SIZE	SPACING	COMMENTS
DEEP MARSH TYPE 1	1,470 lf	ELEVATION: -0.5'						Plant in single row, alternating species in groups of 10-20.
NO SEED MIX		310	Sm	Sparganium americanum	Lesser Bur-reed	#SP4 cont.	18" O.C.	
		310	Su	Scirpus acutus	Hard Stem Bulrush	#SP4 cont.	18" O.C.	
		555	Sv	Scirpus validus	Soft Stem Bulrush	#SP4 cont.	18" O.C.	
SEE L-4A - L-4B								
	PLANT TOTAL	1175						

HABITAT TYPE / SEED MIX	TOTAL PLANTING AREA	ESTIMATED NUMBER	SYMBOL	SCIENTIFIC NAME	COMMON NAME	SIZE	SPACING	COMMENTS
DEEP MARSH TYPE 2	11,730 sf	ELEVATION: -0.5'-1.0'						Plant in masses of 5-15 plants of the same species, typ.
NO SEED MIX		2,083	No	Nymphaea odorata	White Water Lily	#SP4 cont.	18" O.C.	
		2,083	Pc	Pontederia cordata	Pickeralweed	#SP4 cont.	18" O.C.	
SEE L-4A - L-4B		2,083	Si	Sagittaria latifolia	Northern Arrowhead	#SP4 cont.	18" O.C.	
	PLANT TOTAL	6,249						

CONFORMED SET

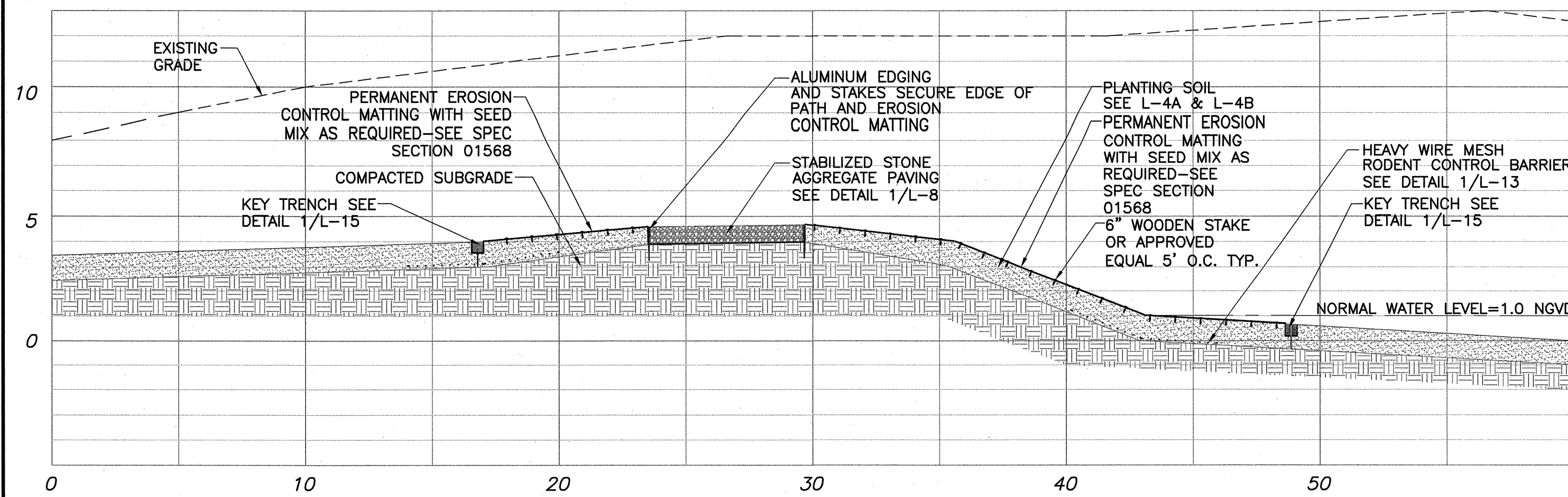


Scale	AS NOTED		
Date	SEPTEMBER 1, 2010		
Job No.	CAM		
Designed by	EJW		
Drawn by	MKO		
Checked by	RWG/KB	No.	Description
Approved by	RWG		Date



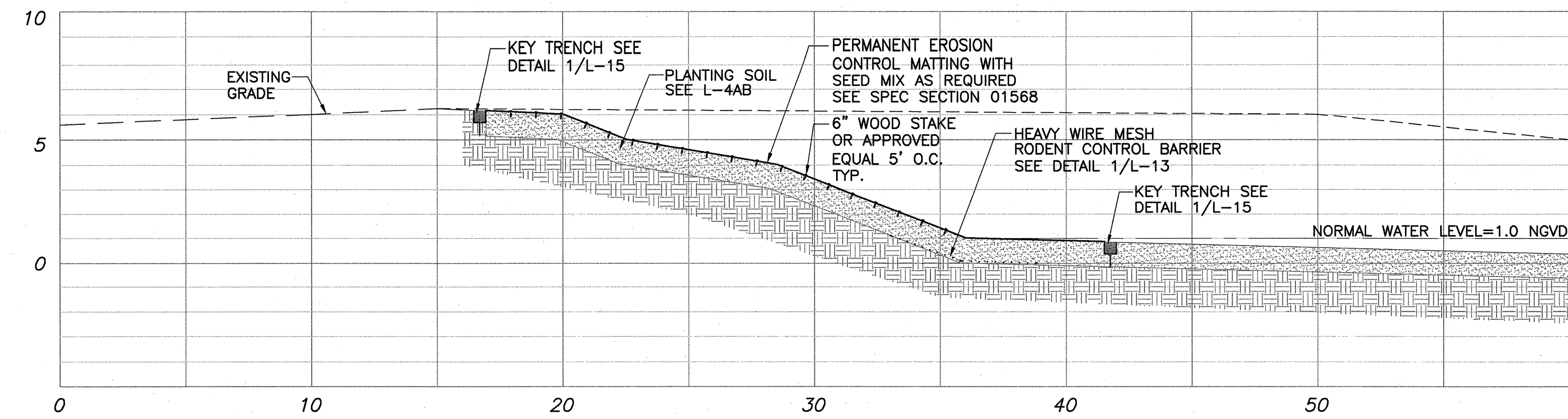
CITY OF CAMBRIDGE, MASSACHUSETTS
 CAMBRIDGE PARK DRIVE AREA DRAINAGE IMPROVEMENTS
 CONTRACT NO. 12
 STORMWATER TREATMENT AREA AND MITIGATION AREA
 GRADING AND DRAINAGE DETAILS III

Sheet No. L-16
 File No.



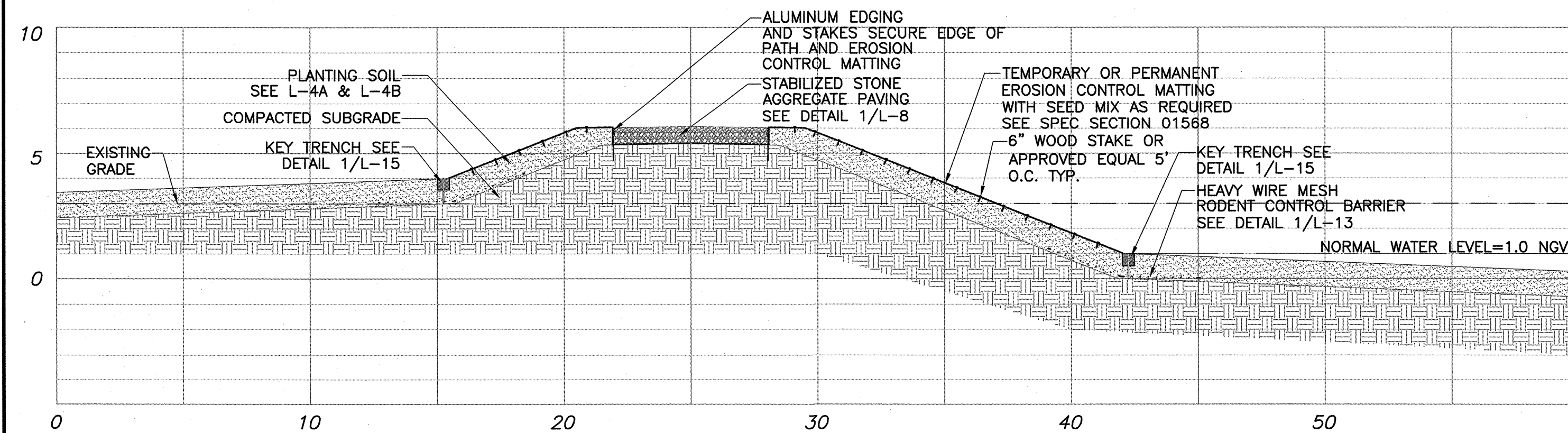
SECTION AA WEST SPILLWAY

SCALE: 1"=4'



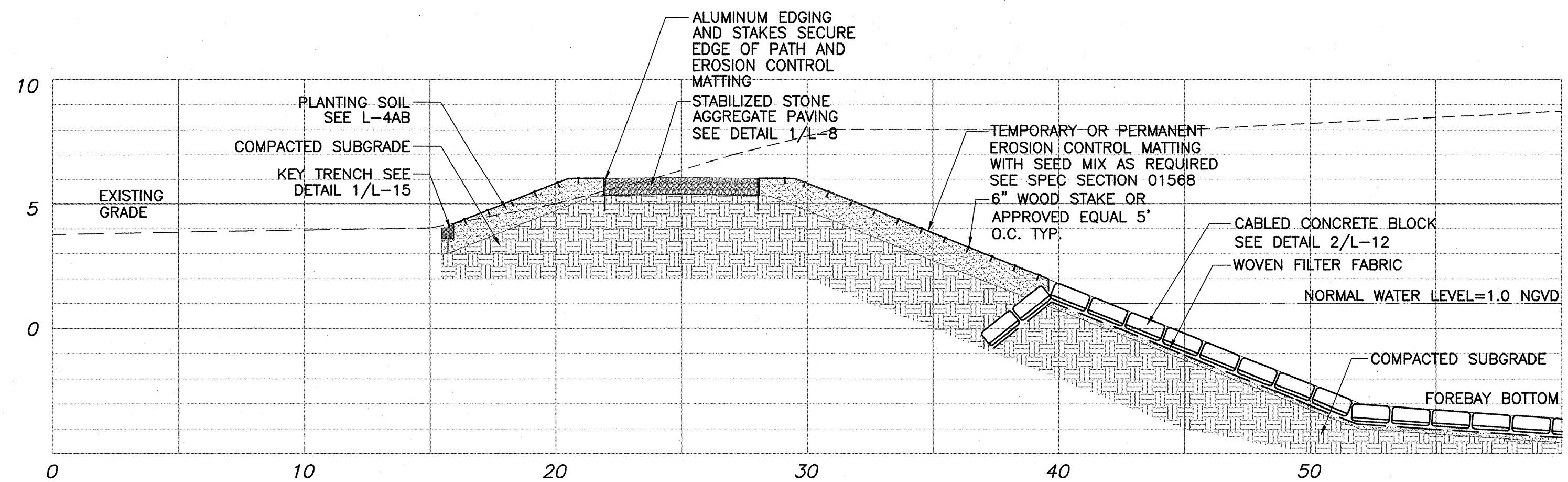
SECTION DD EAST SPILLWAY

SCALE: 1"=4'



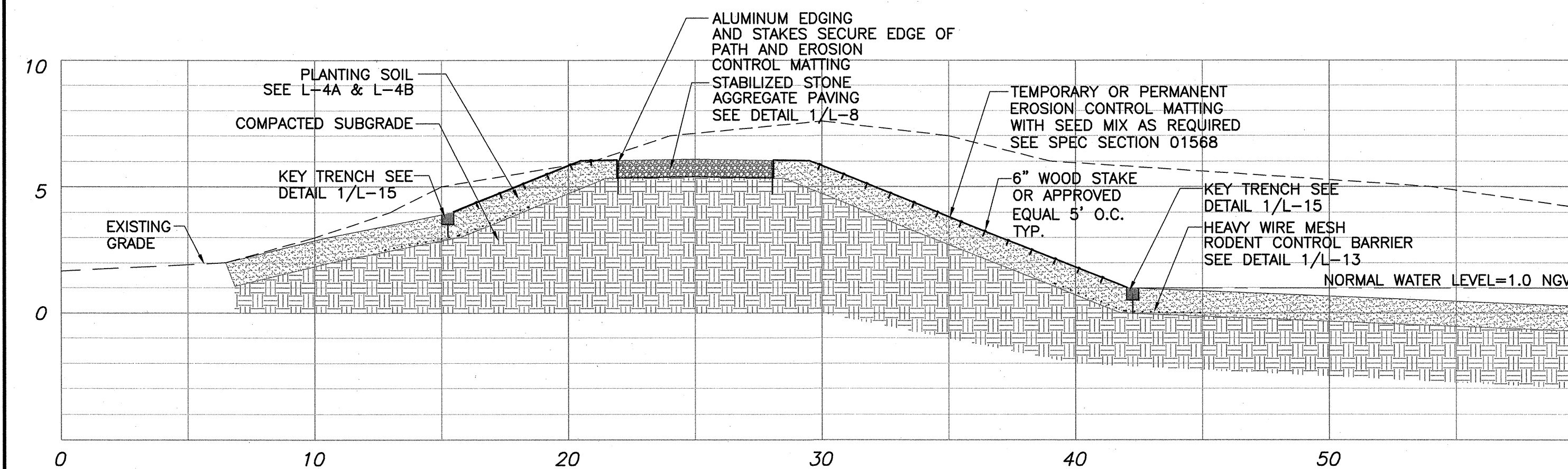
SECTION BB

SCALE: 1"=4'



SECTION EE

SCALE: 1"=4'



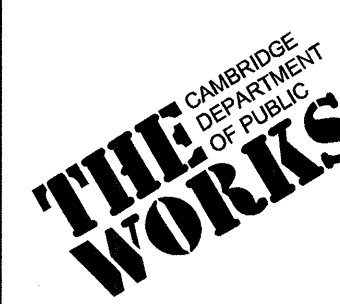
SECTION CC

SCALE: 1"=4'

CONFORMED SET



Scale	AS NOTED		
Date	SEPTEMBER 1, 2010		
Job No.	CAM		
Designed by	EJW		
Drawn by	MKO		
Checked by	RWG/KB	No.	Description
Approved by	RWG		REVISIONS



CITY OF CAMBRIDGE, MASSACHUSETTS	
CAMBRIDGE PARK DRIVE AREA DRAINAGE IMPROVEMENTS	
CONTRACT NO. 12	
STORMWATER TREATMENT AREA AND MITIGATION AREA	
BERM CROSS SECTIONS	

Sheet No.	L-17
File No.	