

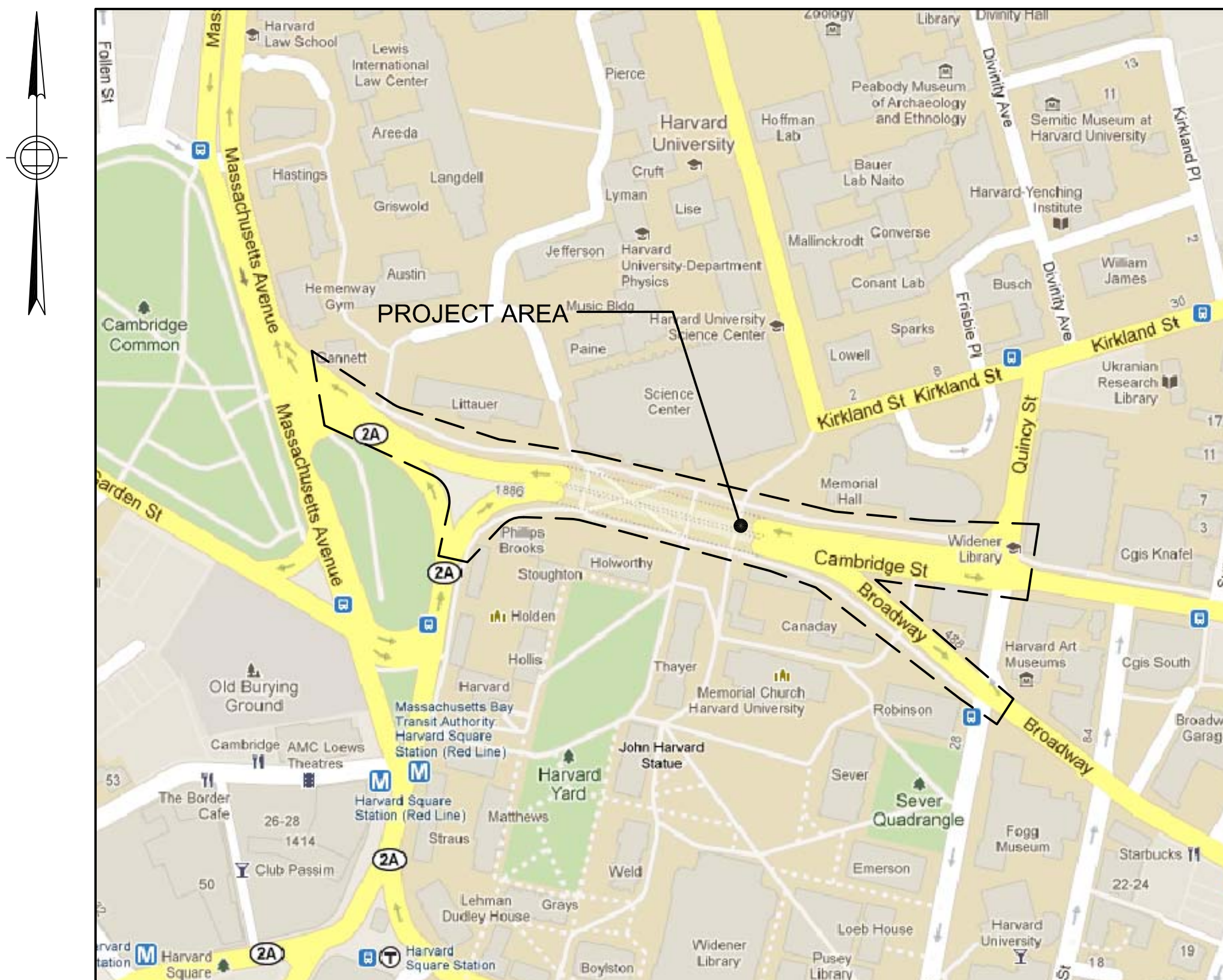
CITY OF CAMBRIDGE, MA

RESTORATION OF THE CAMBRIDGE STREET UNDERPASS (CONTRACT #)

INDEX OF DRAWINGS

SHEET NO.	SHEET TITLE
R-G-01	COVER SHEET
R-G-02	LEGEND & ABBREVIATIONS
R-G-03	GENERAL NOTES
R-G-04	KEY PLAN
R-C-01	TRAVERSE CONTROL PLAN
R-C-02	TYPICAL SECTIONS 1 OF 2
R-C-03	TYPICAL SECTIONS 2 OF 2
R-C-04	CONSTRUCTION PLAN 1 OF 4
R-C-05	CONSTRUCTION PLAN 2 OF 4
R-C-06	CONSTRUCTION PLAN 3 OF 4
R-C-07	CONSTRUCTION PLAN 4 OF 4
R-C-08	CURB TIE DETAILS
R-C-09	PAVEMENT MARKING AND SIGN PLAN 1 OF 4
R-C-10	PAVEMENT MARKING AND SIGN PLAN 2 OF 4
R-C-11	PAVEMENT MARKING AND SIGN PLAN 3 OF 4
R-C-12	PAVEMENT MARKING AND SIGN PLAN 4 OF 4
R-C-13	SIGN SUMMARY
R-C-14	CONSTRUCTION DETAILS
R-C-15	WHEELCHAIR RAMP DETAILS
R-T-01	TRAFFIC MANAGEMENT PLAN - NOTES
R-T-02	TRAFFIC MANAGEMENT PLAN - PHASE 1, 1 OF 2
R-T-03	TRAFFIC MANAGEMENT PLAN - PHASE 1, 2 OF 2
R-T-04	TRAFFIC MANAGEMENT PLAN - PHASE 2, 1 OF 2
R-T-05	TRAFFIC MANAGEMENT PLAN - PHASE 2, 2 OF 2
R-T-06	TRAFFIC MANAGEMENT PLAN - PHASE 3A
R-T-07	TRAFFIC MANAGEMENT PLAN - PHASE 3B
R-T-08	TRAFFIC MANAGEMENT PLAN - PHASE 3C
R-T-09	TRAFFIC MANAGEMENT PLAN - PHASE 3D
R-T-10	TRAFFIC MANAGEMENT PLAN - PHASE 3E
R-T-11	TRAFFIC MANAGEMENT PLAN - DETOUR, 1 OF 2
R-T-12	TRAFFIC MANAGEMENT PLAN - DETOUR, 2 OF 2
R-T-13	TRAFFIC MANAGEMENT PLAN - DETAILS
R-S-1	CAMBRIDGE STREET UNDERPASS PLAN
R-S-2	UNDERPASS STRUCTURE
R-S-3	STRUCTURE JOINT KEY PLAN
R-S-4	UNDERPASS ROADWAY REPAIR PLAN
R-S-5	UNDERPASS CEILING REPAIR PLAN
R-S-6	WESTBOUND UNDERPASS EXTERIOR WALLS REPAIR ELEVATION
R-S-7	EASTBOUND UNDERPASS EXTERIOR WALLS REPAIR ELEVATION
R-S-8	WESTBOUND CENTER WALLS REPAIR ELEVATION
R-S-9	EASTBOUND CENTER WALLS REPAIR ELEVATION
R-S-10	WEST ROADWAY APPROACH REPAIR PLAN
R-S-11	EAST ROADWAY APPROACH REPAIR PLAN
R-S-12	WEST APPROACH RETAINING WALLS - WESTBOUND REPAIR ELEVATION
R-S-13	EAST APPROACH RETAINING WALLS - WESTBOUND REPAIR ELEVATION
R-S-14	EAST APPROACH RETAINING WALLS - EASTBOUND REPAIR ELEVATION
R-S-15	WEST APPROACH RETAINING WALLS - EASTBOUND REPAIR ELEVATION
R-S-16	CONCRETE REPAIR DETAILS
R-S-17	CENTER WALL FIBER REINFORCED POLYMER (FRP) DETAILS
R-S-18	ROADWAY REPAIR DETAILS
E-1	LEGEND, ABBREVIATIONS, DETAILS, KEY PLAN AND GENERAL NOTES
E-2	UNDERPASS ROADWAY LIGHTING DEMOLITION PLANS
E-3	UNDERPASS ROADWAY LIGHTING PLANS
E-4	TYPICAL TUNNEL SECTIONS

100% COORDINATION SUBMISSION DRAFT APRIL 19, 2012



LOCUS PLAN
NOT TO SCALE

**THE CAMBRIDGE
DEPARTMENT
OF PUBLIC
WORKS**

CAMBRIDGE DEPARTMENT OF PUBLIC WORKS

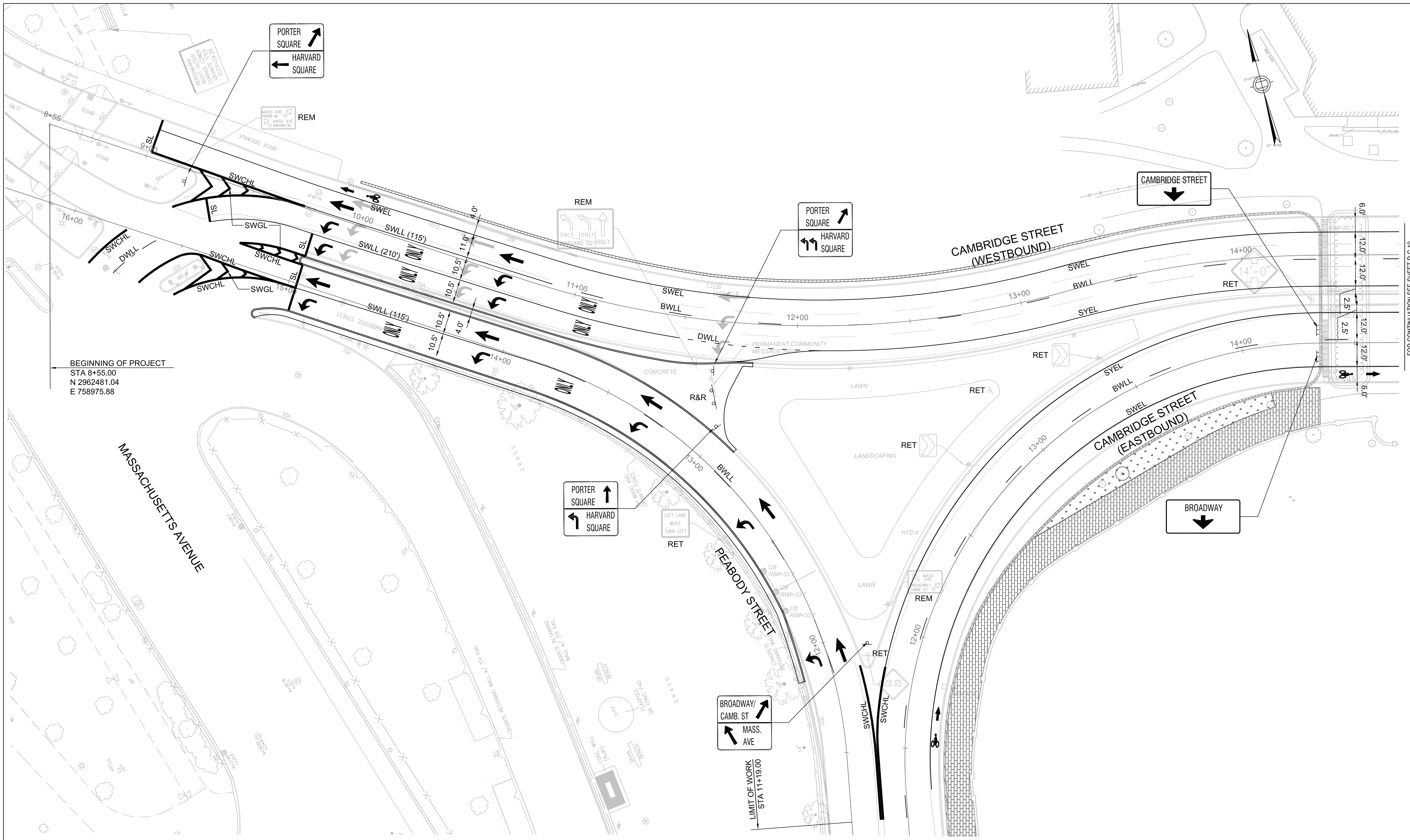
PREPARED BY

STV
STV Incorporated

321 Summer Street
Boston, MA 02210
www.stvinc.com

Sheet No.

R-G-01



FOR CONTINUATION SEE SHEET RC-10

STV
STV Incorporated
 321 Summer Street
 Boston, MA 02210
 www.stvinc.com

100% PROGRESS SET

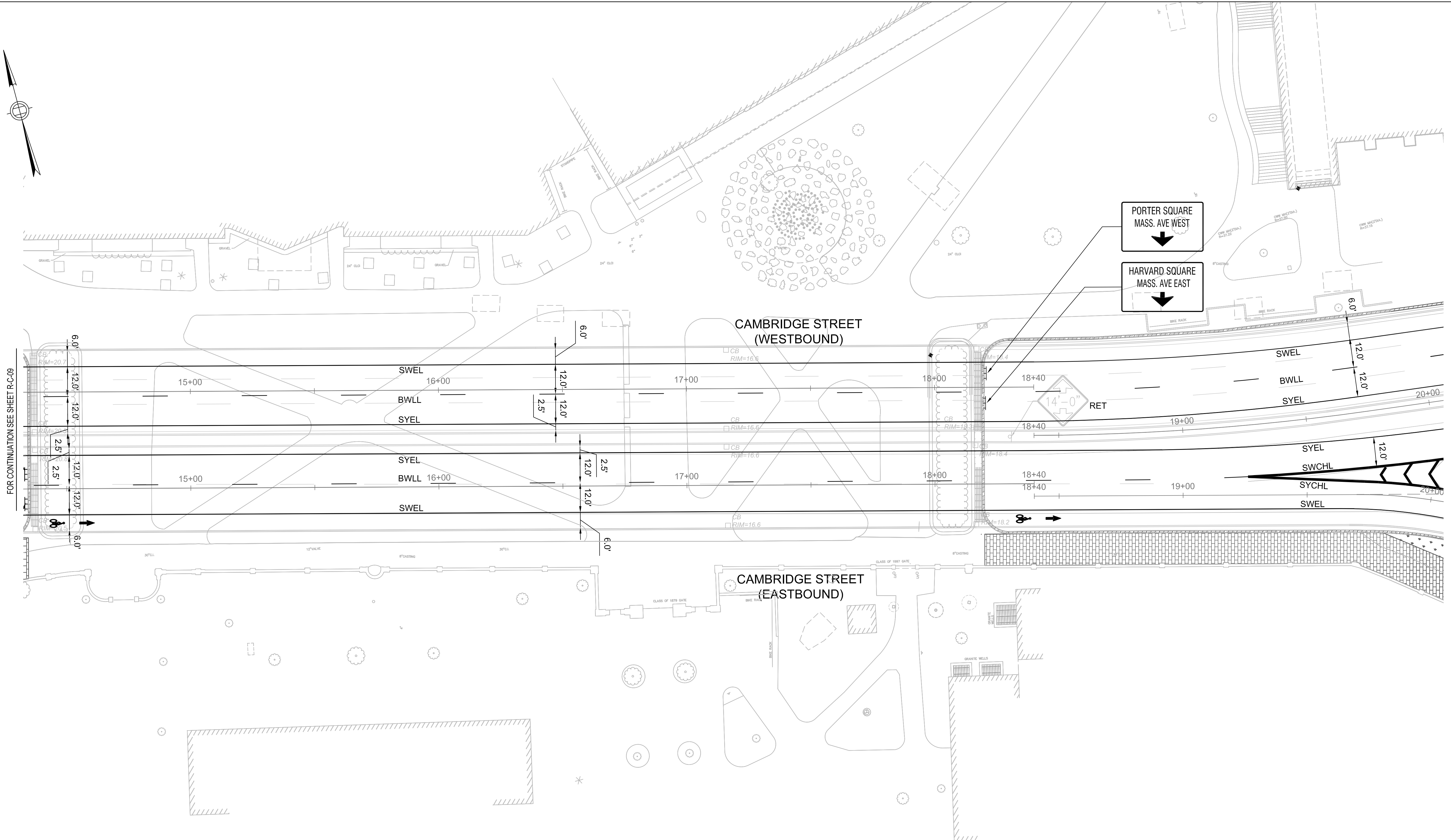
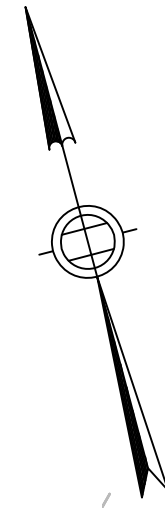


Scale	1"=20'		
Date	4/19/2012		
Job No.	4014834		
Designed by	WA		
Drawn by	WA		
Checked by	NB	No.	Date
Approved by			REVISIONS



CITY OF CAMBRIDGE, MASSACHUSETTS
 RESTORATION OF THE CAMBRIDGE STREET UNDERPASS
 CONTRACT NO. XX (ROADWAY LEVEL)
 PAVEMENT MARKING AND SIGN PLAN 1 OF 4

Sheet No.
R-C-09
 File No.

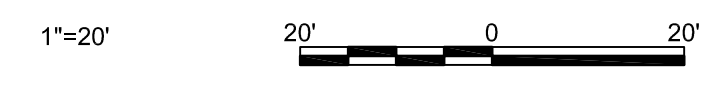


FOR CONTINUATION SEE SHEET R-C-09

FOR CONTINUATION SEE SHEET R-C-11

STV
STV Incorporated
 321 Summer Street
 Boston, MA 02210
 www.stvinc.com

100% PROGRESS SET

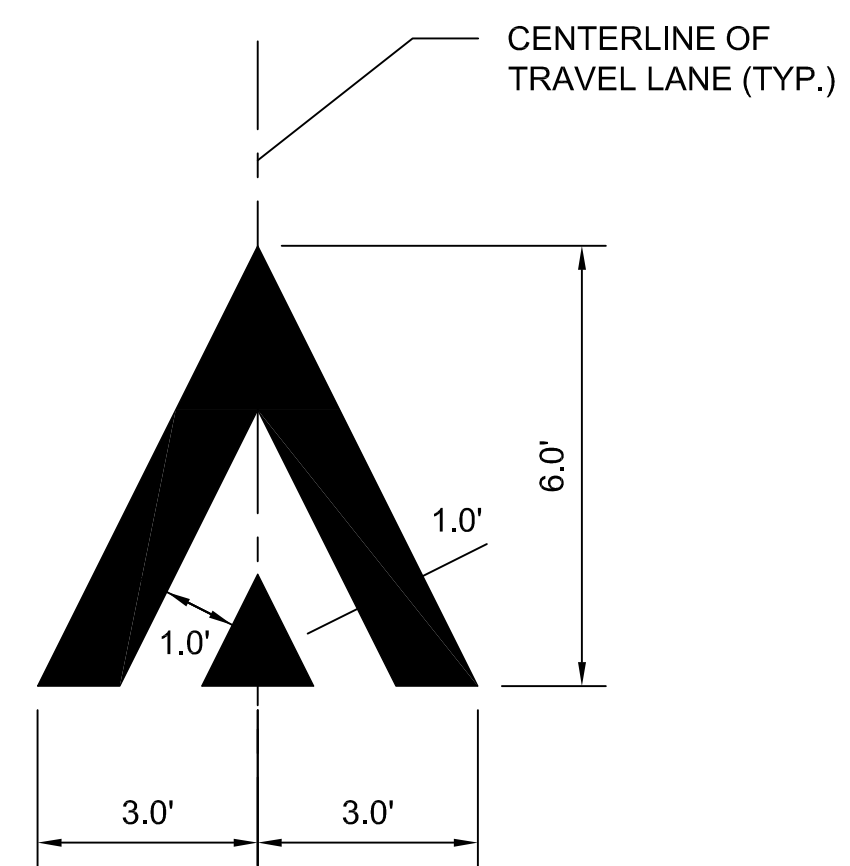
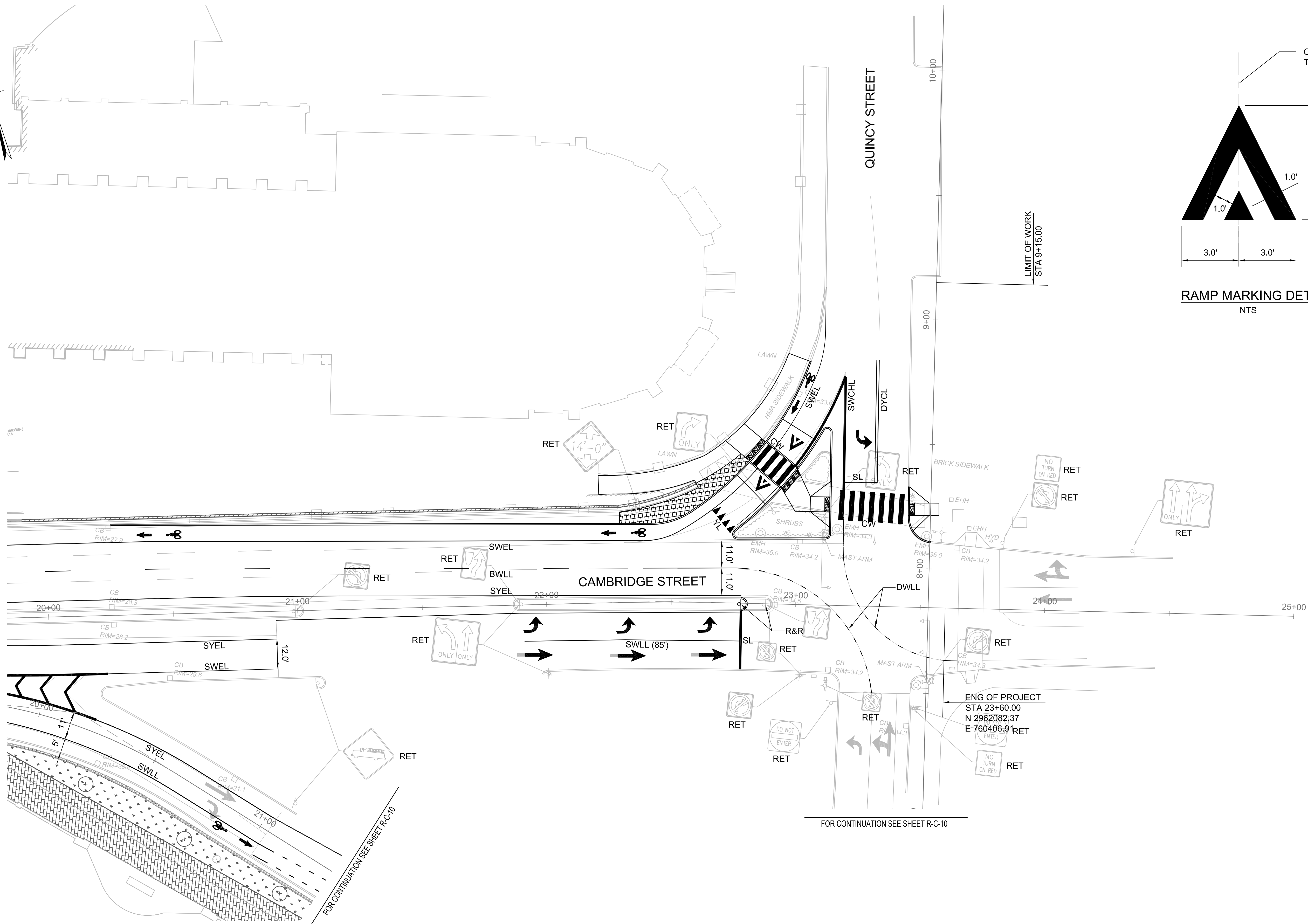
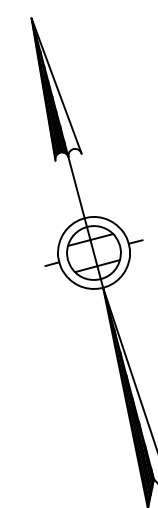


Scale	1"=20'			
Date	4/19/2012			
Job No.	4014834			
Designed by	WA			
Drawn by	WA			
Checked by	NB	No.		Date
Approved by				



CITY OF CAMBRIDGE, MASSACHUSETTS
 RESTORATION OF THE CAMBRIDGE STREET UNDERPASS
 CONTRACT NO. XX (ROADWAY LEVEL)
 PAVEMENT MARKING AND SIGN PLAN 2 OF 4

Sheet No. **R-C-10**
 File No.



RAMP MARKING DETAIL
NTS

FOR CONTINUATION SEE SHEET R-C-10

FOR CONTINUATION SEE SHEET R-C-10

STV
STV Incorporated
321 Summer Street
Boston, MA 02210
www.stvinc.com

100% PROGRESS SET

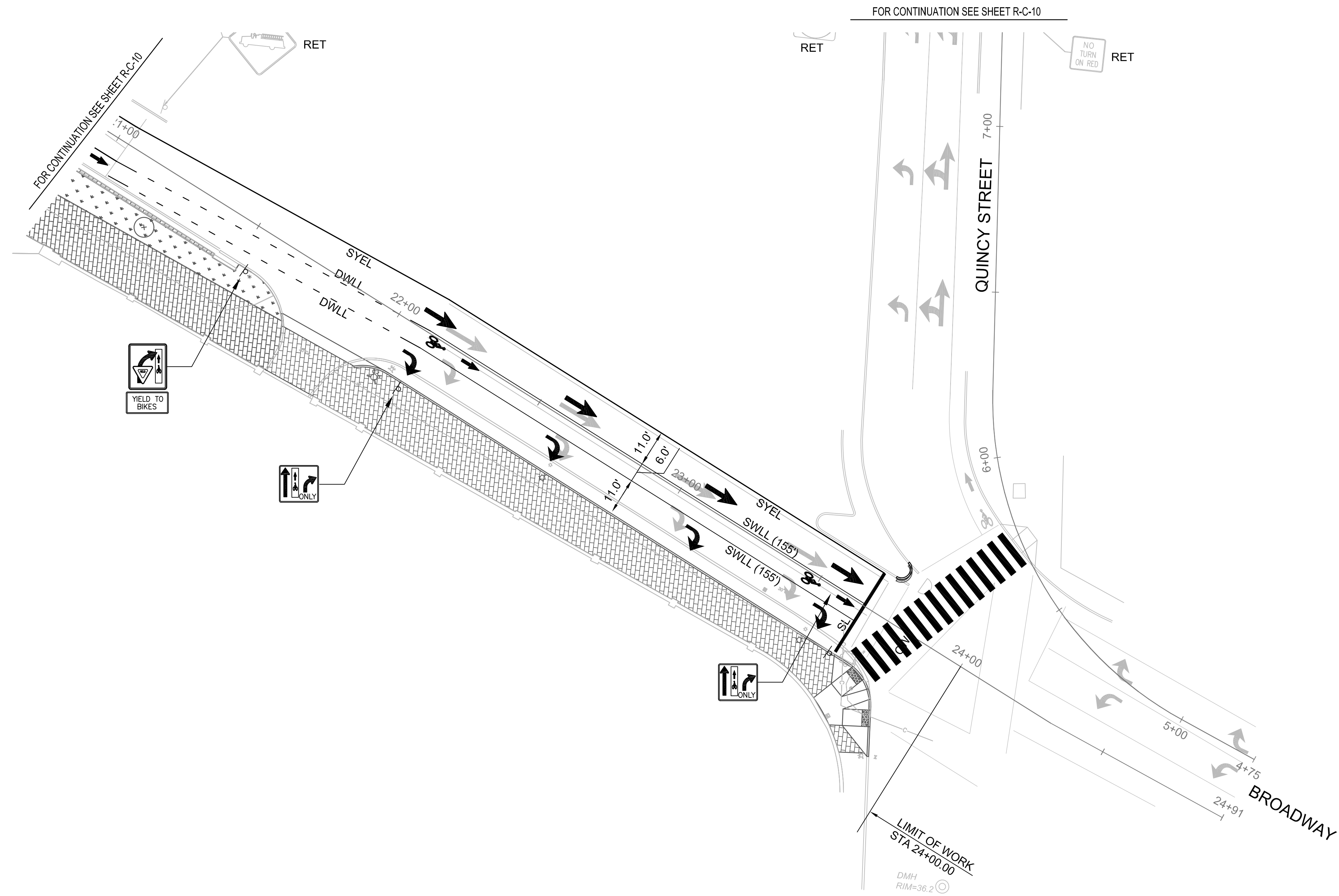
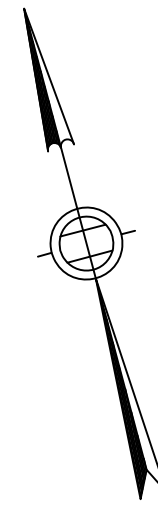


Scale	1"=20'			
Date	4/19/2012			
Job No.	4014834			
Designed by	WA			
Drawn by	WA			
Checked by	NB	No.		Date
Approved by				

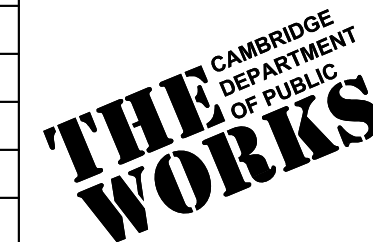


CITY OF CAMBRIDGE, MASSACHUSETTS
RESTORATION OF THE CAMBRIDGE STREET UNDERPASS
CONTRACT NO. XX (ROADWAY LEVEL)
PAVEMENT MARKING AND SIGN PLAN 3 OF 4


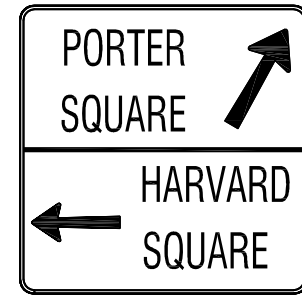
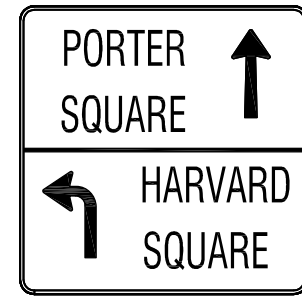

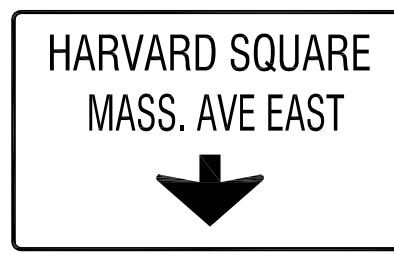
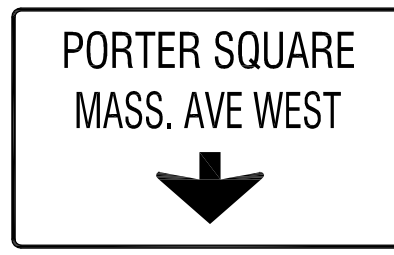
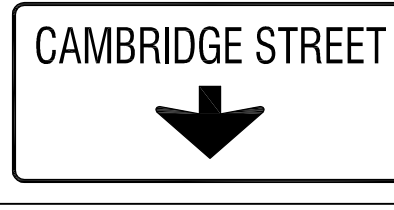
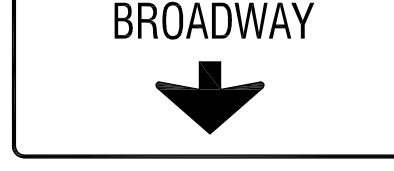
Sheet No.
R-C-11
File No.



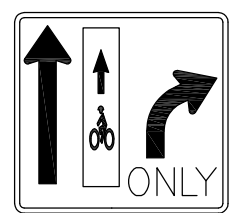
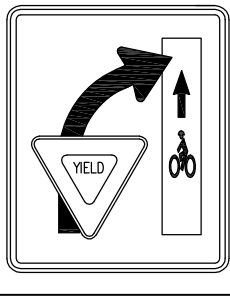

Scale	1"=20'			
Date	4/19/2012			
Job No.	4014834			
Designed by	WA			
Drawn by	WA			
Checked by	NB	No.		Date
Approved by				



TRAFFIC SIGN SUMMARY
(PERMANENT SIGNS)

IDENTIFICATION NUMBER	SIZE OF SIGN		TEXT	TEXT DIMENSIONS (INCHES)			NUMBER OF SIGNS REQUIRED	COLOR		
	WIDTH (INCHES)	HEIGHT (INCHES)		LETTER HEIGHT	VERTICAL SPACING	ARROW RTE MKR		BACK-GROUND	LEGEND	BORDER
S-1	48	48		6C 6C 6C 6C	4 5 6 5 4	6 x 15 @ 60° 2-6 x 12 @ 0°	1	GREEN	WHITE	WHITE
S-2	48	48		6C 6C 6C 6C	4 5 6 5 4	6 x 15 @ 60° 6 x 15 @ 0°	1			
S-3	48	48		6C 6C 6C 6C	4 5 6 5 4	6 x 15 @ 90° 9 x 15 @ 0°	1			
S-4	48	48		6C 6C 6C 6C	4 5 6 5 4	6 x 15 @ 60° 6 x 15 @ 60°	1			
OHS-5	66	40		6C 6C	4 4 4 4	18 x 12	1	BROWN	WHITE	WHITE
OHS-6	66	40		6C 6C	4 4 4 4	18 x 12	1			
OHS-7	66	30		6C	4 4 4 4	18 x 12	1			
OHS-8	66	30		6C	4 4 4 4	18 x 12	1			

TRAFFIC SIGN SUMMARY
(PERMANENT SIGNS)

IDENTIFICATION NUMBER	SIZE OF SIGN		TEXT	TEXT DIMENSIONS (INCHES)			NUMBER OF SIGNS REQUIRED	COLOR		
	WIDTH (INCHES)	HEIGHT (INCHES)		LETTER HEIGHT	VERTICAL SPACING	ARROW RTE MKR		BACK-GROUND	LEGEND	BORDER
S-9	30	30		4C	2 2	6 x 18 @ 90° 6 x 12 @ 90°	2	WHITE	BLACK w/ BLUE BIKE LANE	BLACK
S-10	30	36			4.5 4.5	6 x 25 @ 90°	1	WHITE	BLACK w/ BLUE BIKE LANE	BLACK
S-11	30	18		4C 4C	3.5 2 3.5		1	WHITE	BLACK	BLACK

