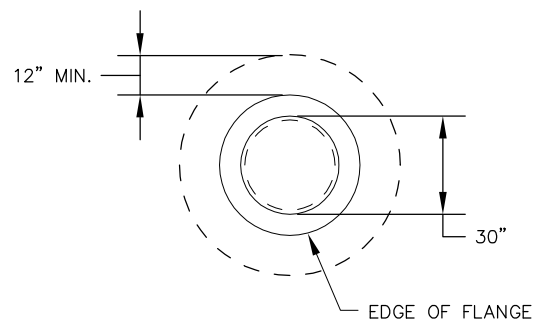
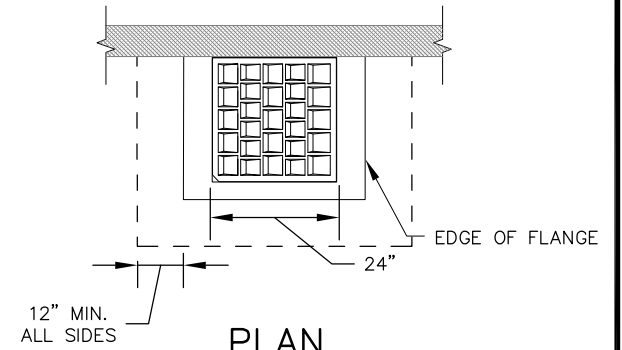


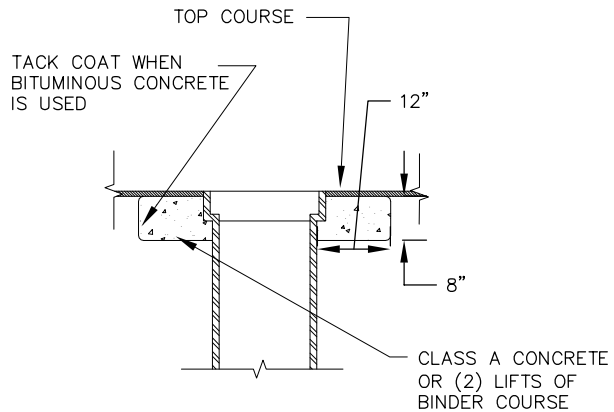
PLAN



PLAN

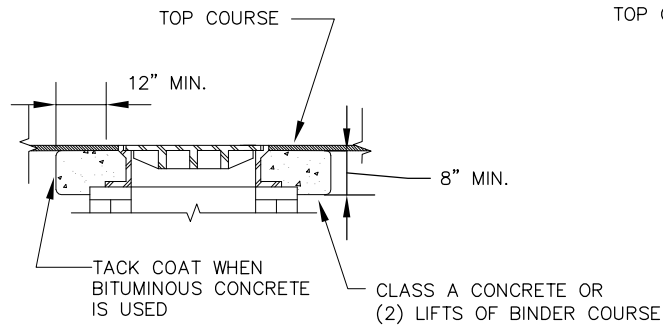


PLAN



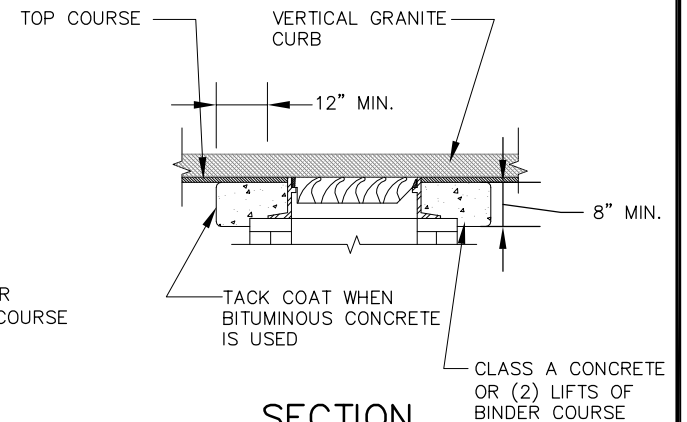
SECTION

GATE BOXES



SECTION

MANHOLES



SECTION

CATCH BASINS

95% DETAILS
NOT FOR CONSTRUCTION



RAISING CASTINGS DETAIL

CITY OF CAMBRIDGE STANDARD SPECIFICATIONS AND DETAILS

SCALE: N.T.S.	DATE OF ISSUE: 02/05	SPEC. SECTION REF#: 02252	2252.14
---------------	----------------------	---------------------------	----------------