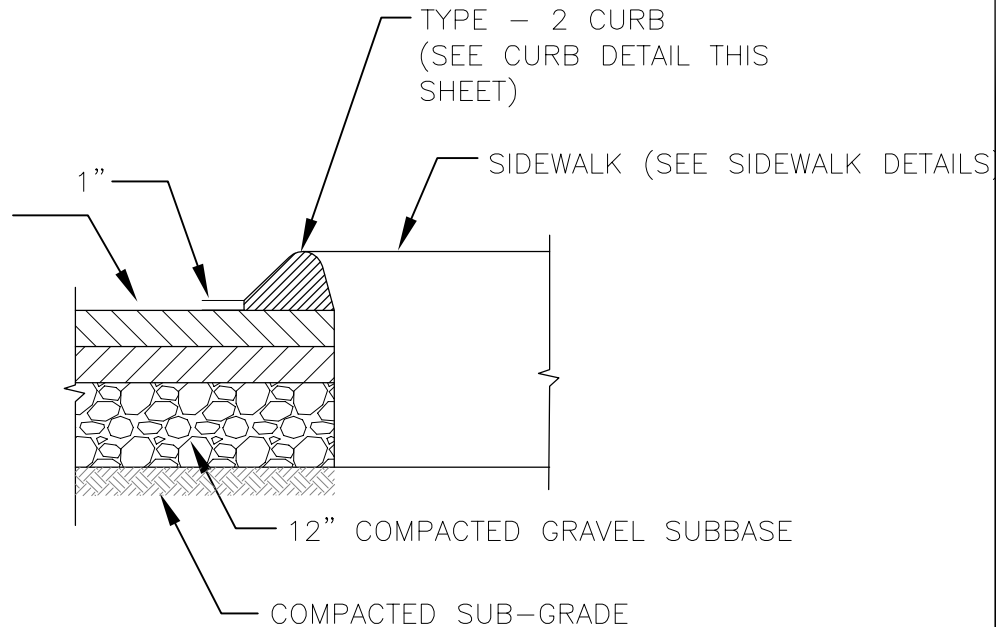


CURB DETAIL

CURB IS TYPE-2 PER MHD CONSTRUCTION STANDARDS

VERTICAL BACK
OPTIONAL AND AS
APPROVED

PAVEMENT PER
PAVING AND
SURFACING



TYPE - 2 CURB
(SEE CURB DETAIL THIS
SHEET)

SIDEWALK (SEE SIDEWALK DETAILS)

12" COMPACTED GRAVEL SUBBASE

COMPACTED SUB-GRADE

95% DETAILS
NOT FOR CONSTRUCTION



BITUMINOUS CONCRETE CURB DETAIL

CITY OF CAMBRIDGE STANDARD SPECIFICATIONS AND DETAILS

SCALE: N.T.S.	DATE OF ISSUE: 02/05	SPEC. SECTION REF#: 02524	2524.9
---------------	----------------------	---------------------------	---------------