

30" STANDARD MANHOLE FRAME & COVER (UNLESS NOTED OTHERWISE) TO BE MARKED "DRAIN" OR "SEWER" AS APPLICABLE

SET CASTING IN GROUT AND GROUT ALL AROUND TO 4" ABOVE THE FLANGE (UNLESS NOTED OTHERWISE)

COAT WITH (2) COATS OF BITUMINOUS DAMPPROOFING

BUTYL RUBBER JOINT (TYP.)

SEAL ALL HOLES WITH HYDRAULIC CEMENT

SEE TABLE 1

BRICK TABLE (SEE MANHOLE GENERAL NOTE 1)

FOR BOTTOM SLAB THICKNESS SEE TABLE 1

UNDISTURBED MATERIAL

SET RIM AT FINISHED GRADE

USE BRICK COURSES AS NEEDED TO BRING MANHOLE RIM TO REQUIRED ELEVATION (MAX 3 COURSES OF BRICKS) SEAL INSIDE AND OUTSIDE OF BRICK WITH HYDRAULIC CEMENT

FINISH GRADE

STANDARD PRECAST ECCENTRIC OR CONCENTRIC CONE SECTION, OR FLAT TOP (AS REQUIRED)

SEAL ALL INTERIOR AND EXTERIOR JOINTS WITH HYDRAULIC CEMENT

STANDARD PRECAST BARREL SECTION COMBINATIONS OF 1', 2', 3' OR 4' LENGTHS AS NEEDED TO BRING MANHOLE RIM TO REQUIRED ELEVATION (SEE MANHOLE GENERAL NOTE 4)

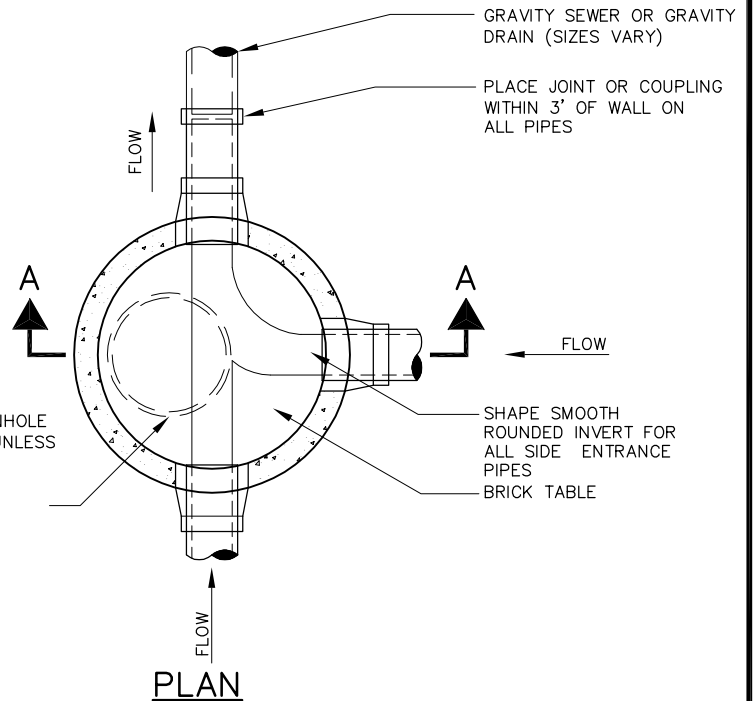
STANDARD PRECAST BASE IN 3' LENGTHS (MIN.)

3000 PSI CONCRETE

FLEXIBLE WATERTIGHT SLEEVE REQUIRED FOR PVC AND DI. USE NON SHRINK GROUT FOR RCP CONNECTIONS. CAST OPENING IN STRUCTURE. (TYP.)

12" (MIN.) OF 3/4" CRUSHED STONE UNLESS OTHERWISE INDICATED ON PROFILE

SECTION A-A



95% DETAILS  
NOT FOR CONSTRUCTION



TYPE 1 - MANHOLE DETAIL

CITY OF CAMBRIDGE STANDARD SPECIFICATIONS AND DETAILS

|               |                      |                           |        |
|---------------|----------------------|---------------------------|--------|
| SCALE: N.T.S. | DATE OF ISSUE: 02/05 | SPEC. SECTION REF#: 02252 | 2252.2 |
|---------------|----------------------|---------------------------|--------|