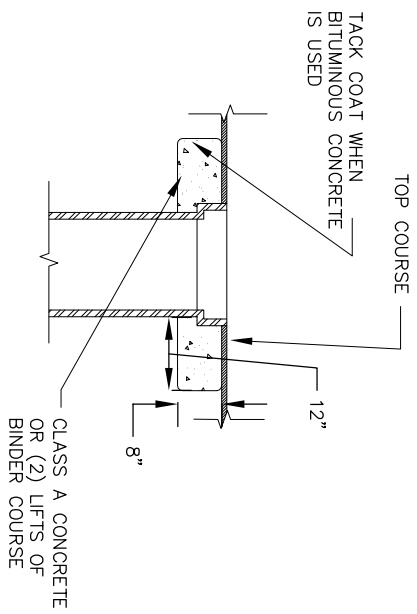
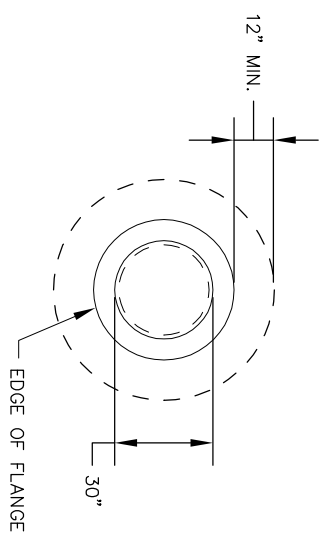


PLAN

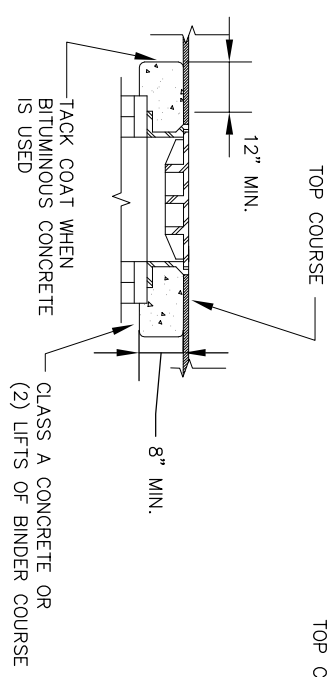


SECTION

GATE BOXES

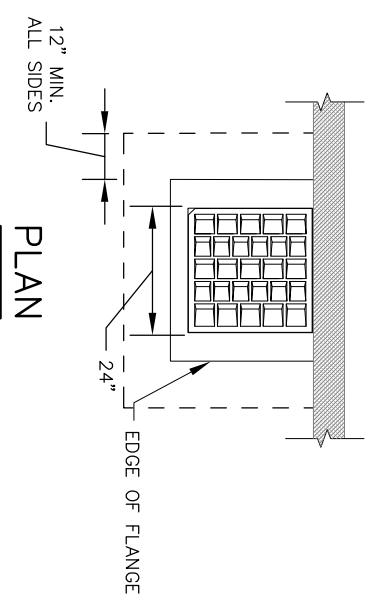


PLAN

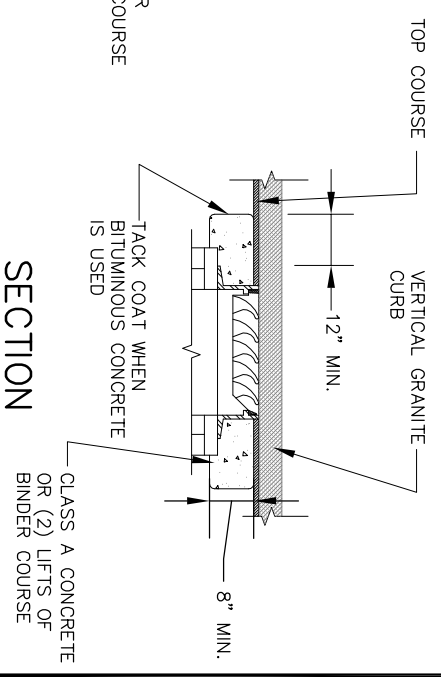


SECTION

MANHOLES



PLAN



SECTION

CATCH BASINS

95% DETAILS  
NOT FOR CONSTRUCTION



**RAISING CASTINGS DETAIL**

CITY OF CAMBRIDGE STANDARD SPECIFICATIONS AND DETAILS

SCALE: N.T.S.

DATE OF ISSUE: 02/05

SPEC. SECTION REF#: 02252

**2252.14**