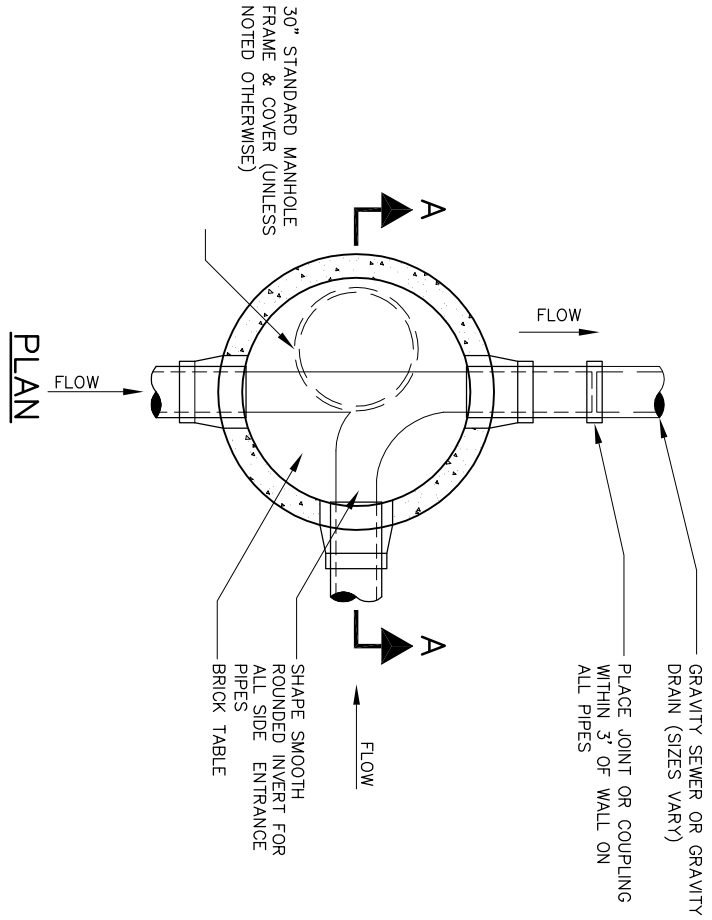


SECTION A-A



95% DETAILS
NOT FOR CONSTRUCTION



TYPE 1 - MANHOLE DETAIL

CITY OF CAMBRIDGE STANDARD SPECIFICATIONS AND DETAILS			
SCALE: N.T.S.	DATE OF ISSUE: 02/05	SPEC. SECTION REF#: 02252	2252.2