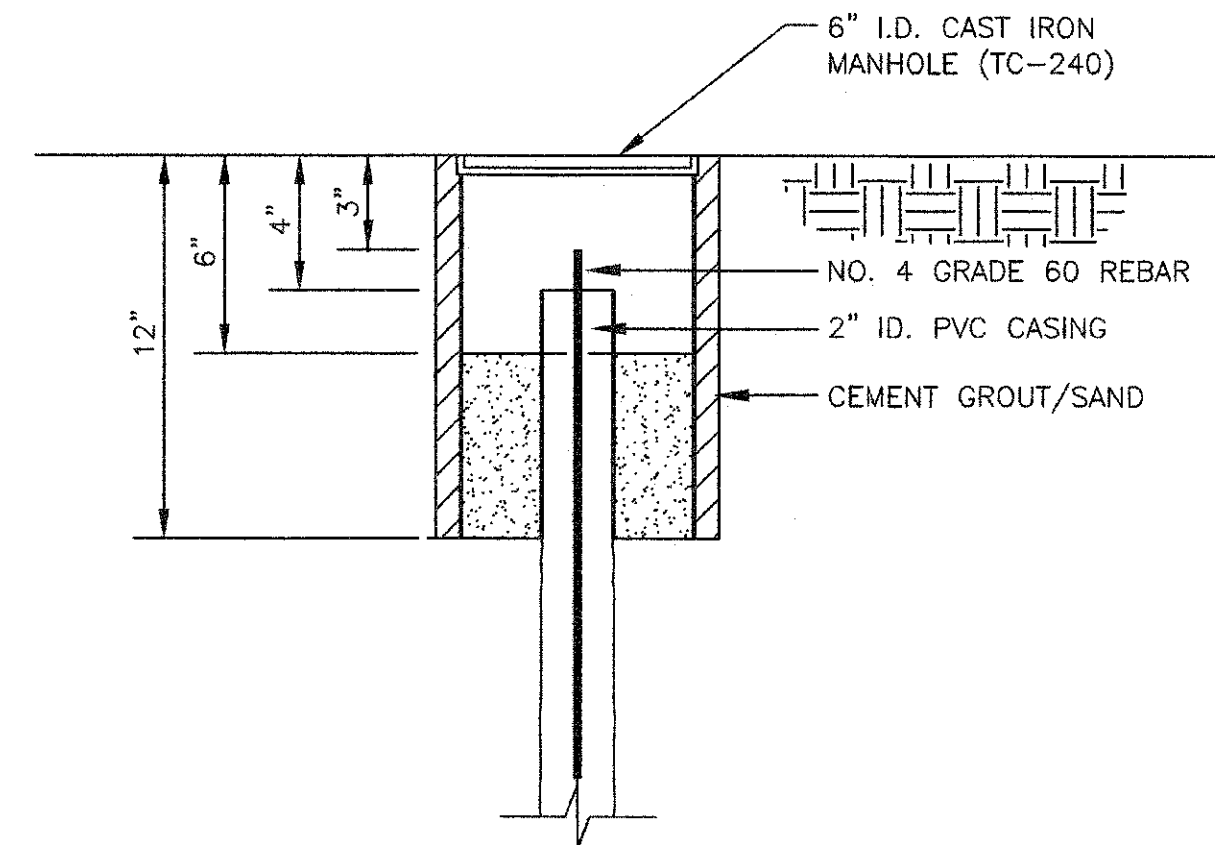
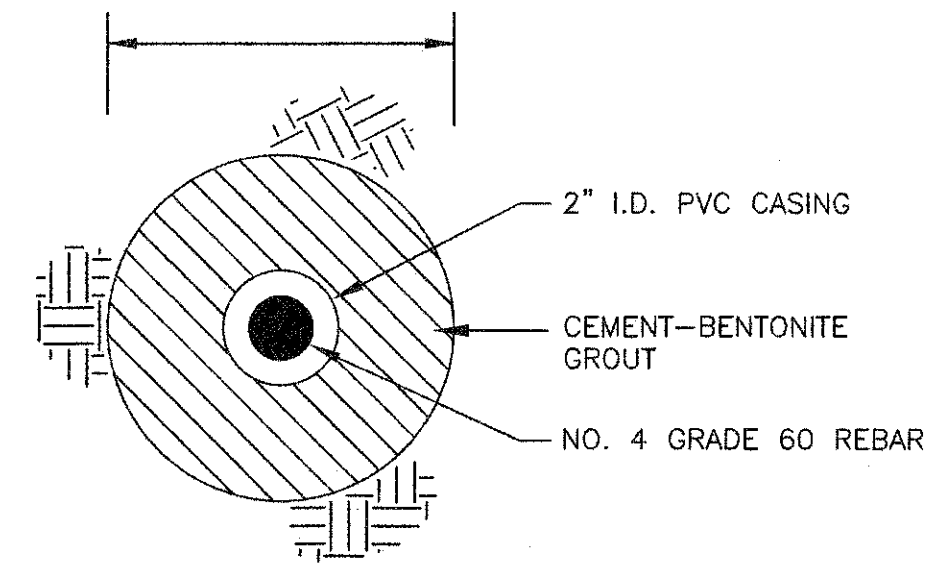
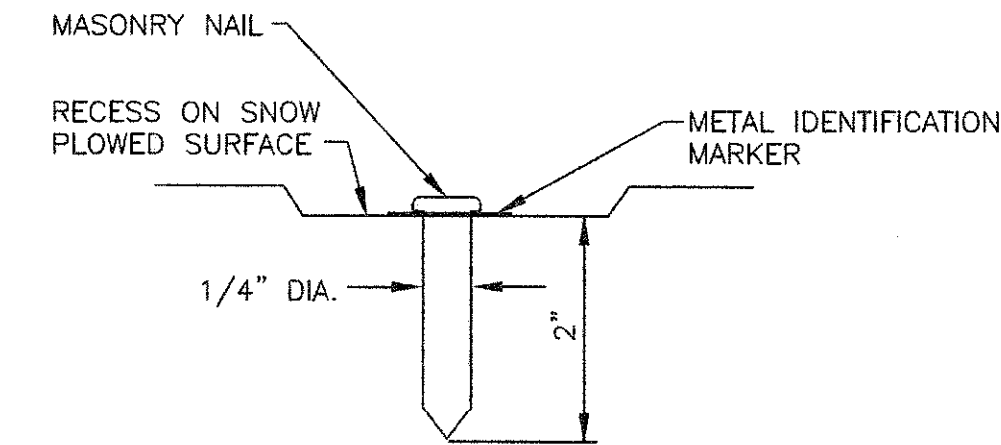


UTILITY MONITORING POINT (UMP) DETAIL

NOT TO SCALE

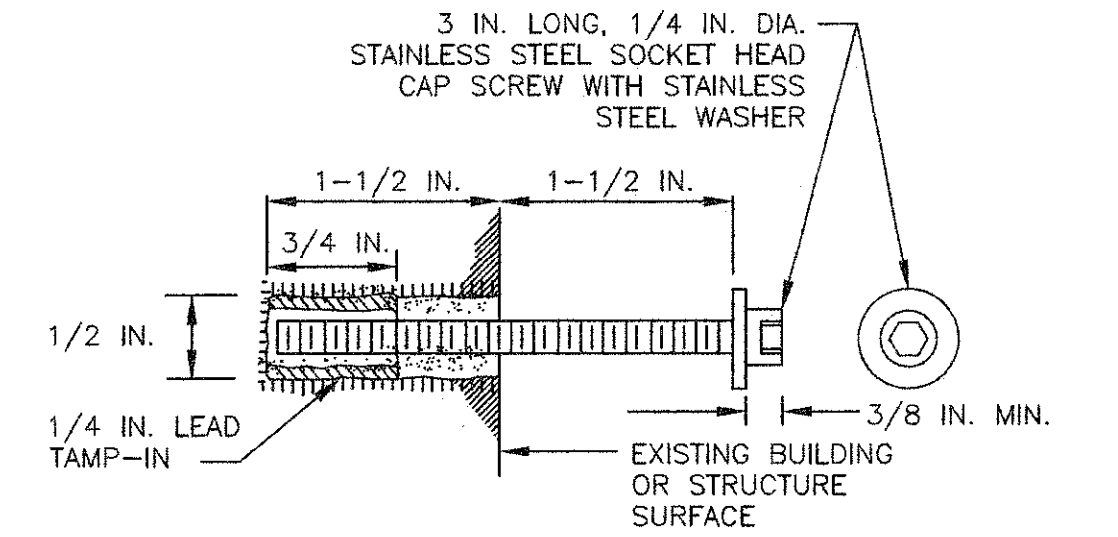


DETAIL A



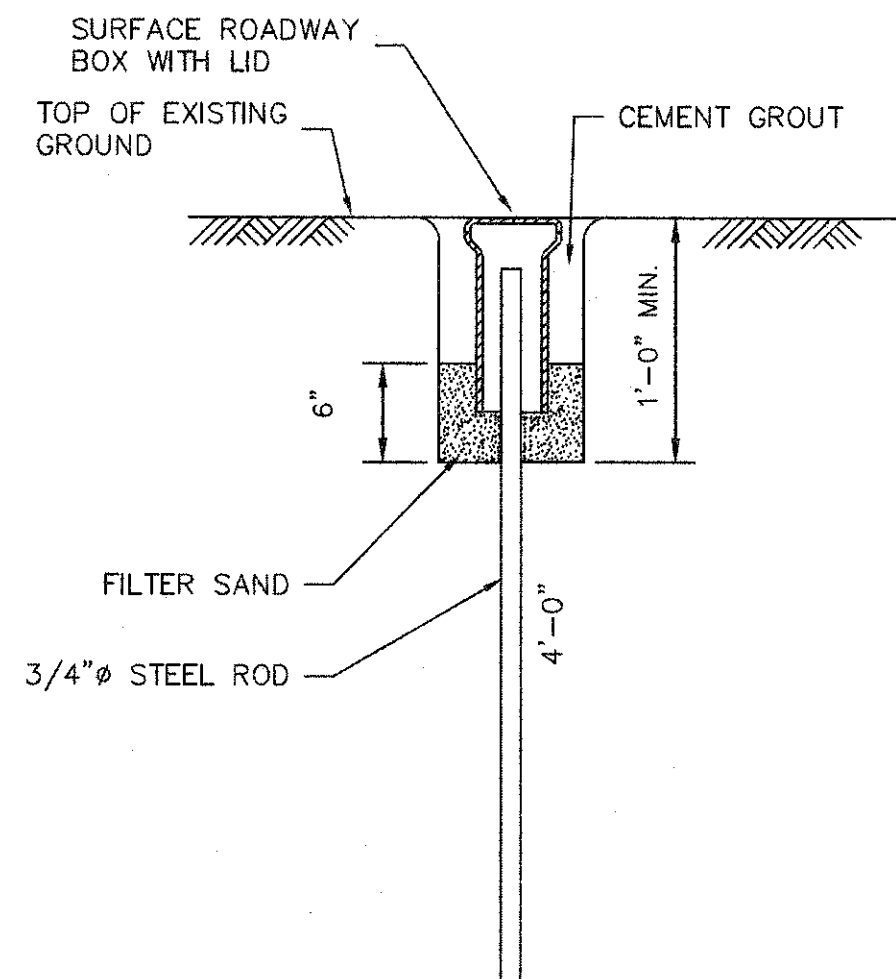
**GROUND MONITORING POINT (GMP)
TYPE 1 DETAIL
FOR USE IN PAVED AREAS**

NOT TO SCALE



**BUILDING OR STRUCTURE
MONITORING POINT (SMP)
DETAIL**

NOT TO SCALE



**GROUND MONITORING POINT (GMP)
TYPE 2 DETAIL
FOR USE IN UNPAVED AREAS**

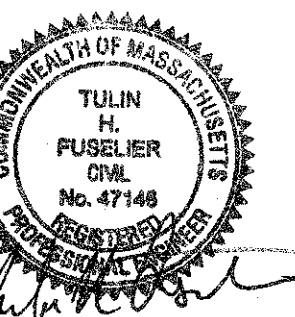
NOT TO SCALE

LEGEND

- SMP-1 STRUCTURE MONITORING POINT (SMP)
- UMP-1 UTILITY MONITORING POINT (UMP)
- GMP-1 GROUND MONITORING POINT (GMP)

GENERAL NOTES:

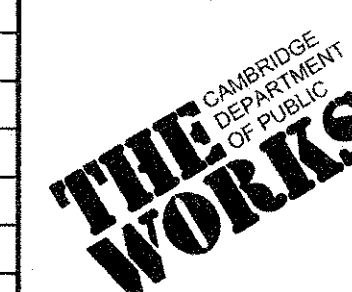
1. REFER TO SPECIFICATION SECTION 02015 FOR GEOTECHNICAL MONITORING AND INSTRUMENTATION AND VIBRATION MONITORING REQUIREMENTS.
2. MONITORING POINTS AND LOCATIONS TO BE DETERMINED IN THE FIELD. CONTRACTOR TO CONDUCT SITE VISIT WITH GEOTECHNICAL ENGINEER AT LEAST TWO WEEKS PRIOR TO STARTING CONSTRUCTION IN AN AREA.
3. **TEST BORING LOCATIONS:** APPROXIMATE LOCATIONS OF TEST BORINGS ARE SHOWN IN SHEET G-4 AND WERE DETERMINED BY KLF BY TAKING TAPE MEASUREMENTS FROM EXISTING SITE FEATURES.
4. **TEST BORING LOGS:** TEST BORING LOGS ARE APPENDED IN THE CONTRACT SPECIFICATIONS.



CONFORMED SET



Scale	AS NOTED			
Date	FEBRUARY 2014			
Job No.	20120256.001A			
Designed by	TAL/JRB/FMM			
Drawn by	KJL/DRM/BMS/DRB			
Checked by	CMC/TJR	No.	Description	Date
Approved by	TF	REVISIONS		



Client	CITY OF CAMBRIDGE, MASSACHUSETTS	Sheet	GEO-1
Project	CONCORD (CONTRACT 9) SEWER SEPARATION AND SURFACE IMPROVEMENTS PROJECT	File No.	6228
Drawing	GEOTECHNICAL GENERAL NOTES, LEGEND, AND DETAILS		

CAD FILE: G:\clients\cambridge MA\2012256\01-A - Concord Ave. Contract 9\Drawings\Eng. General Notes, Legend, and Details - R.CITTED - 2/13/2014 7:37 AM BY: lytle.jungles