

METAL PANEL CLADDING  
AT ELEVATOR PENTHOUSE



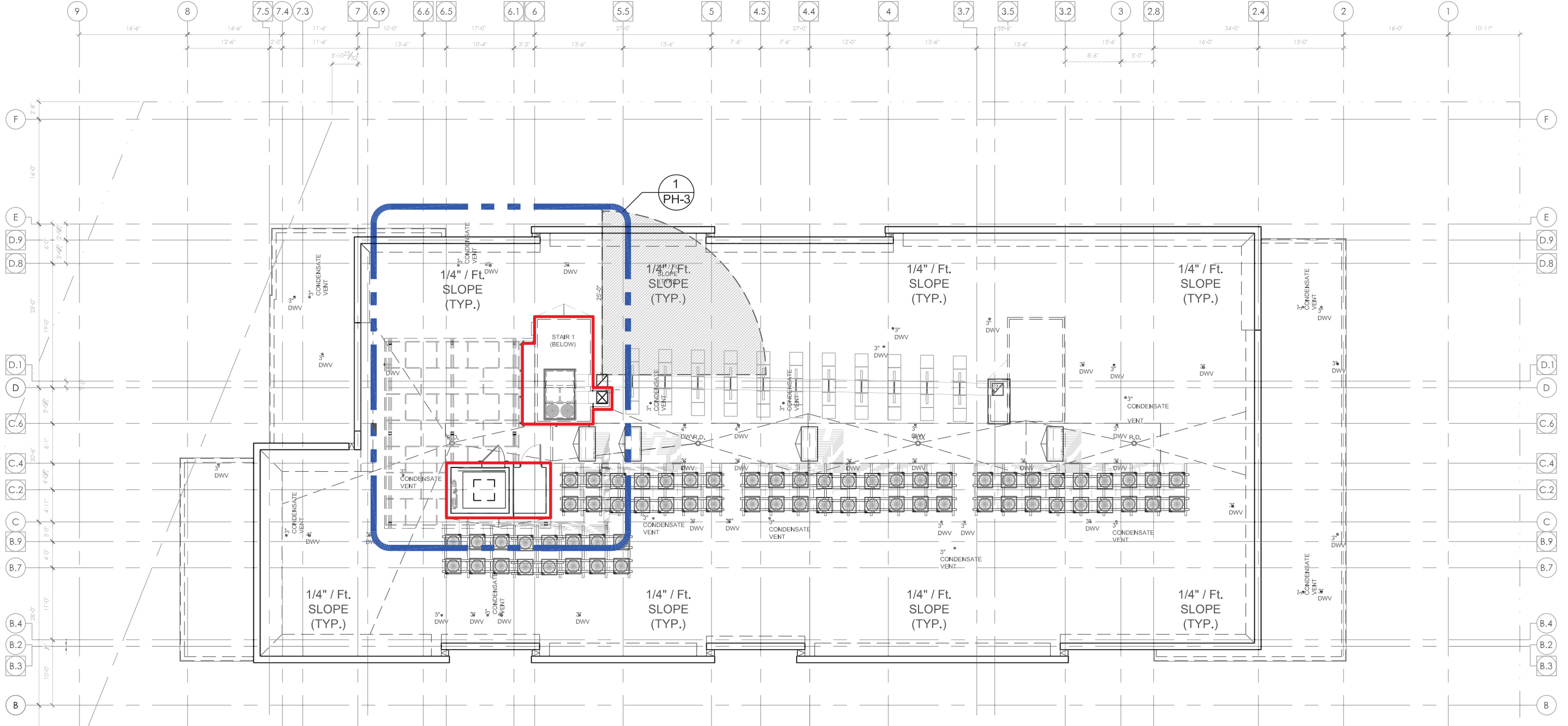
FUTURE TRELLIS AT ROOF DECK



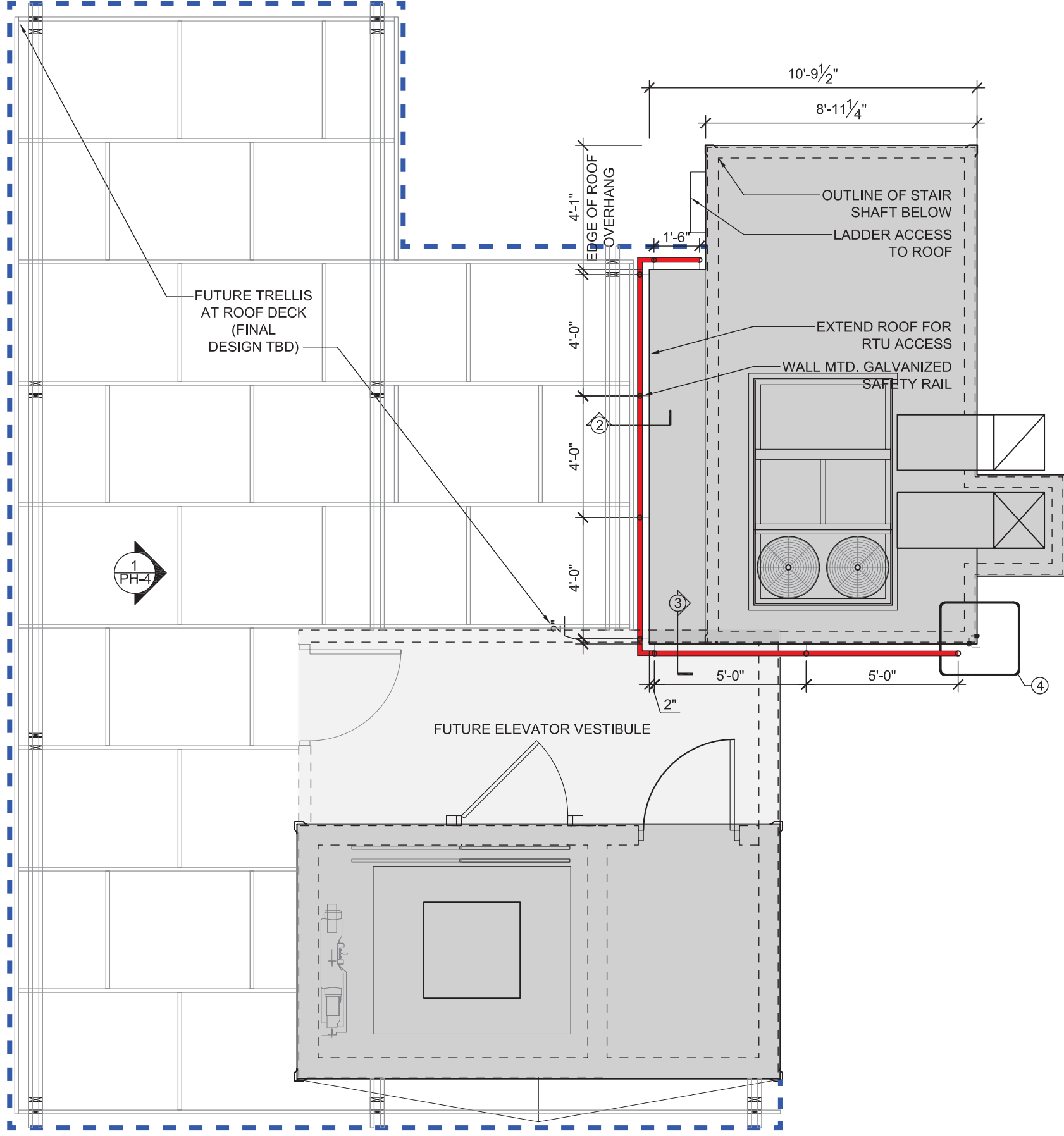
2  
PH-4



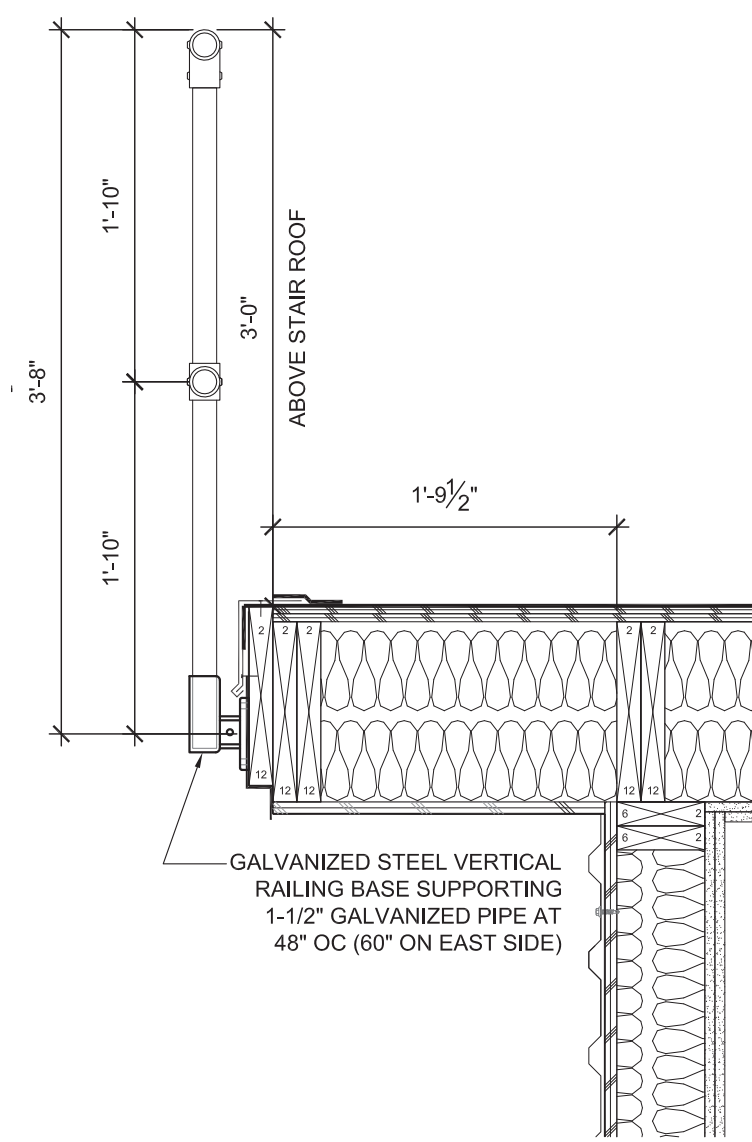
**1** EAST ELEVATION WITH ELEVATOR PENTHOUSE  
1/16" = 1'-0"



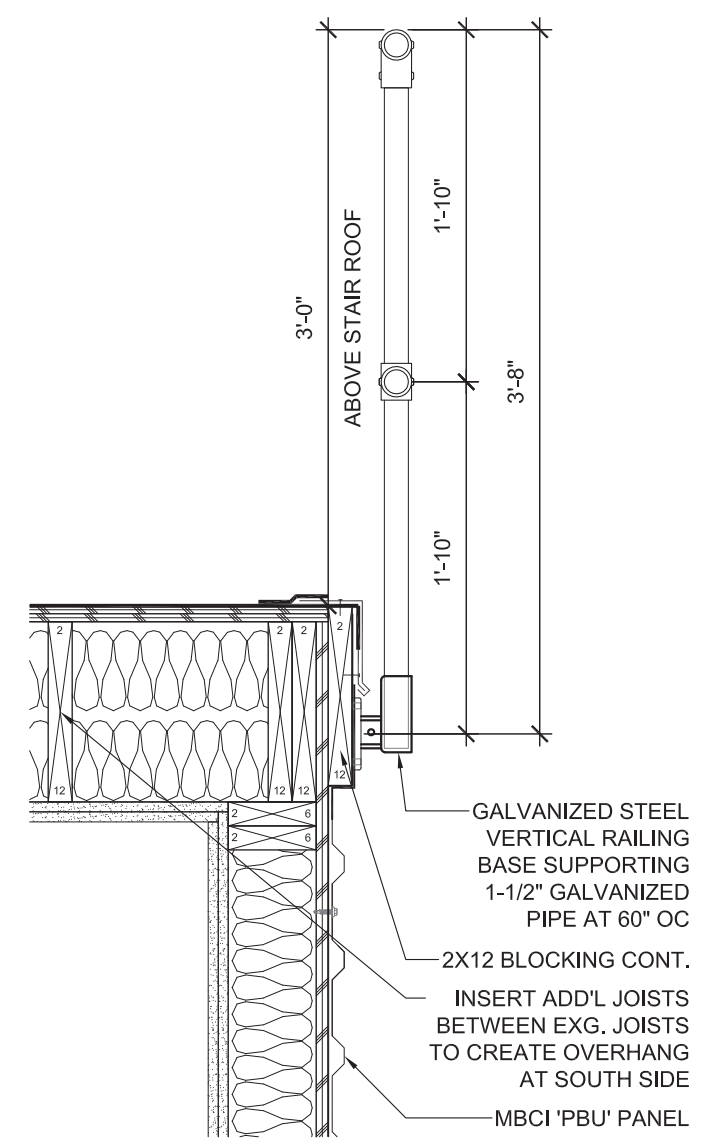
**1** ROOF PLAN WITH FUTURE ROOF DECK  
 1/16" = 1'-0"



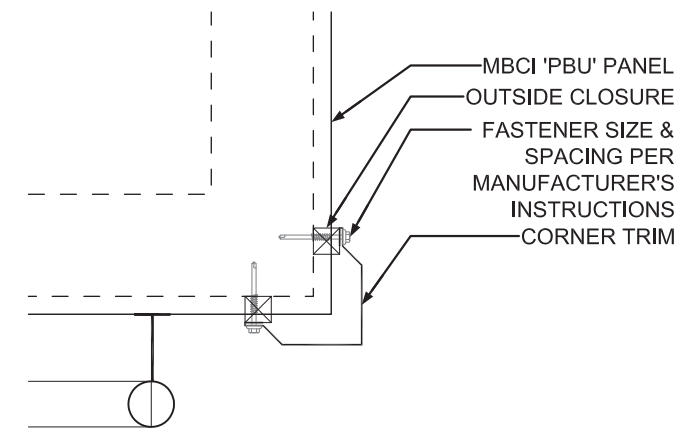
**1 FUTURE ROOF DECK PLAN**  
1/4" = 1'-0"



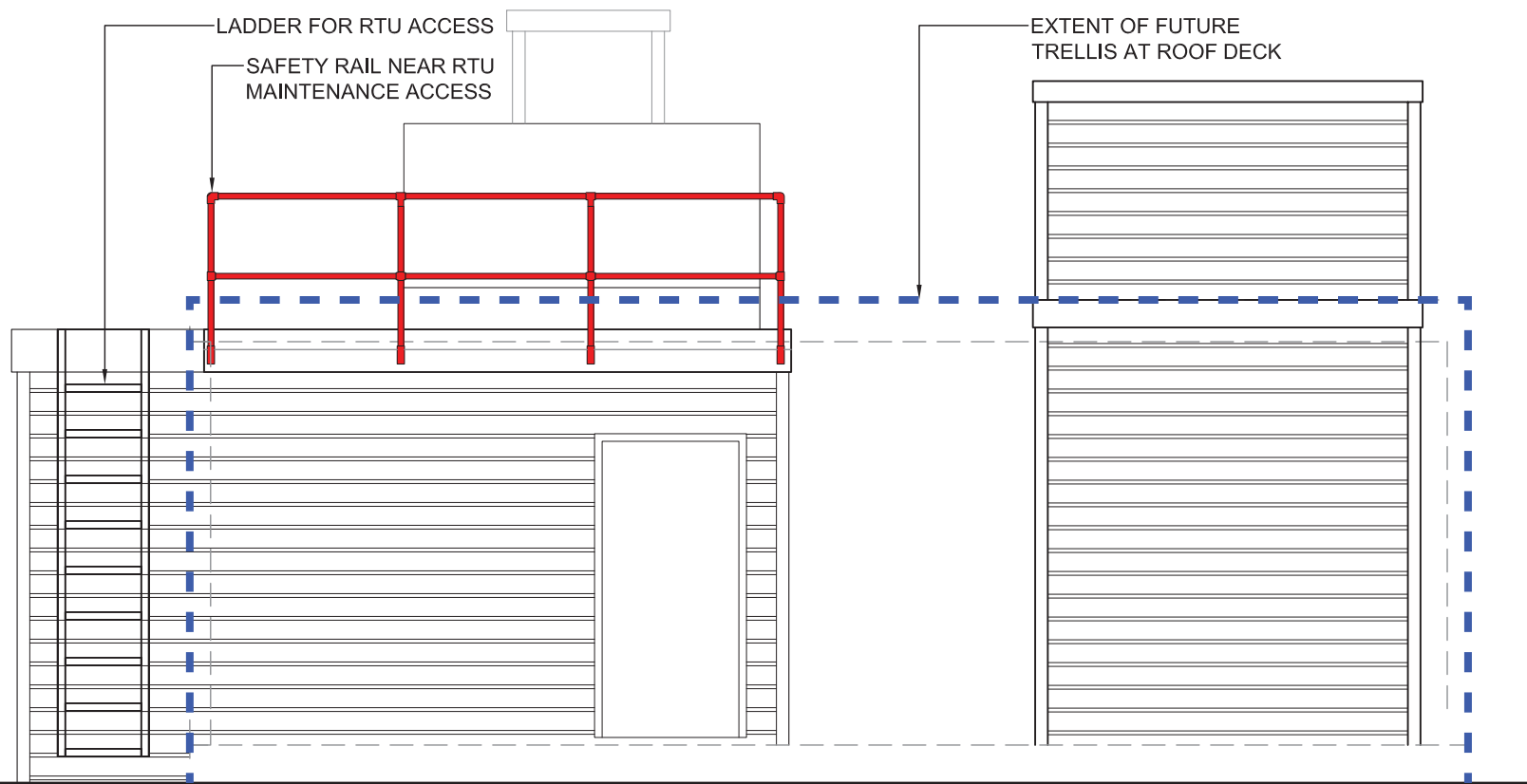
**2 STAIR 1 SOUTH SIDE**  
1" = 1'-0"



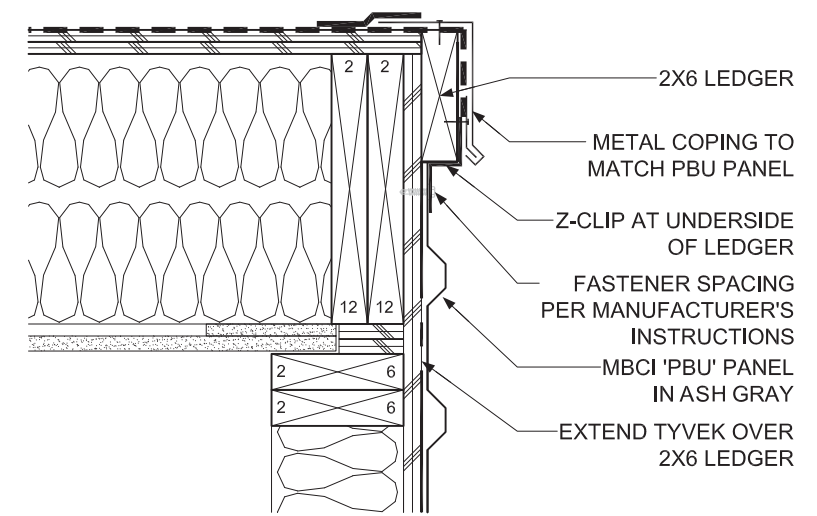
**3 STAIR 1 EAST SIDE**  
1" = 1'-0"



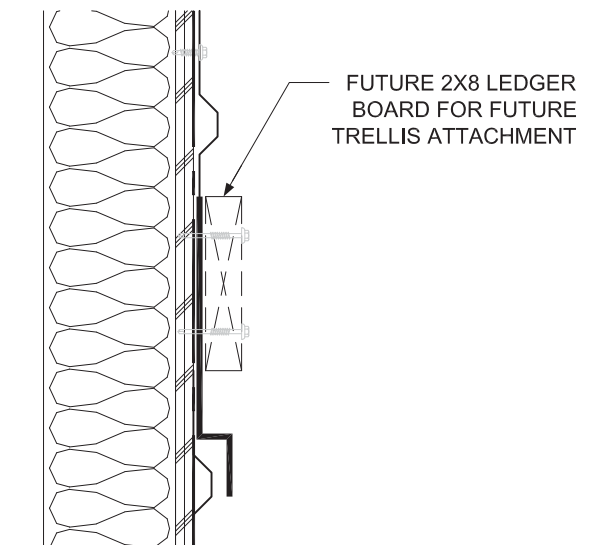
**4 PBU PANEL CORNER DETAIL**  
1-1/2" = 1'-0"



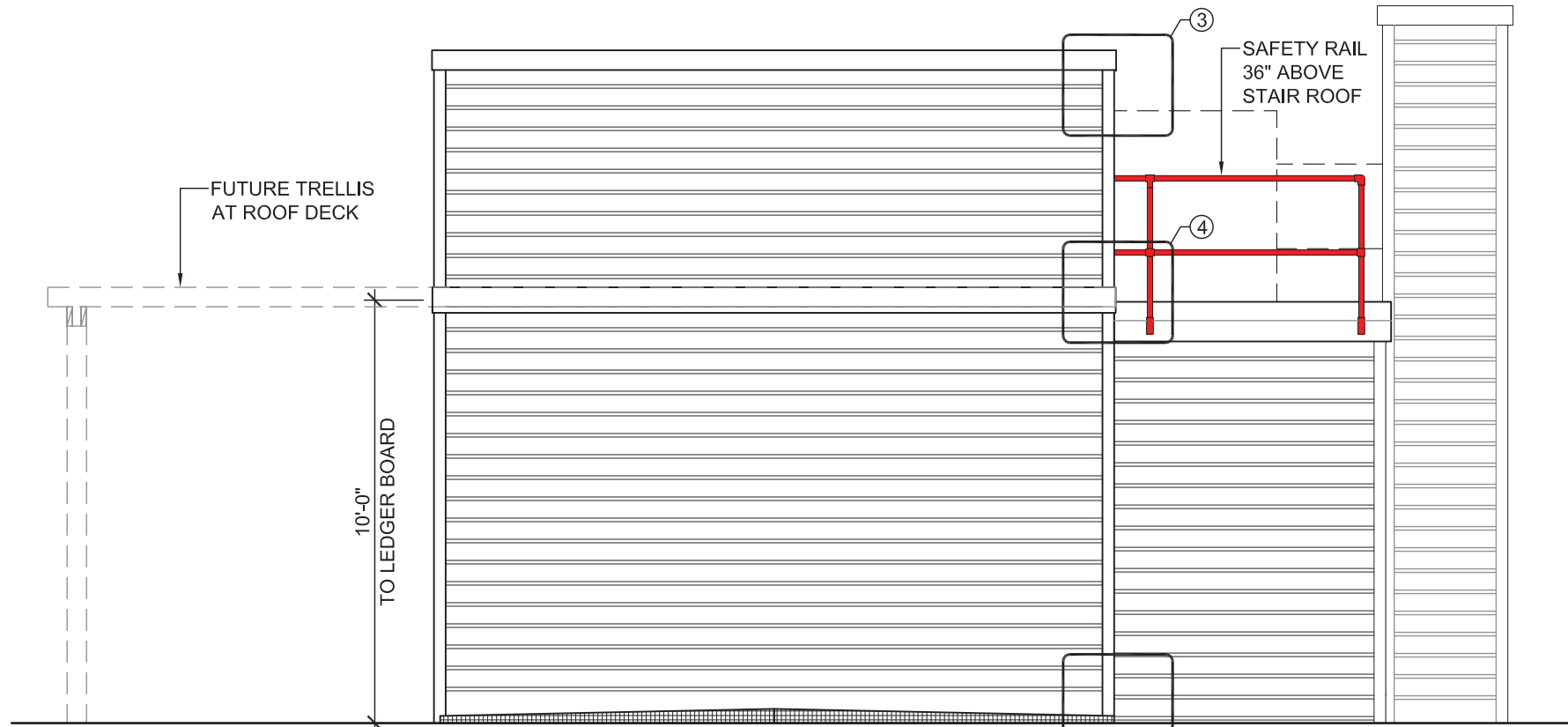
**1 PENTHOUSE SOUTH ELEVATION**  
1/4" = 1'-0"



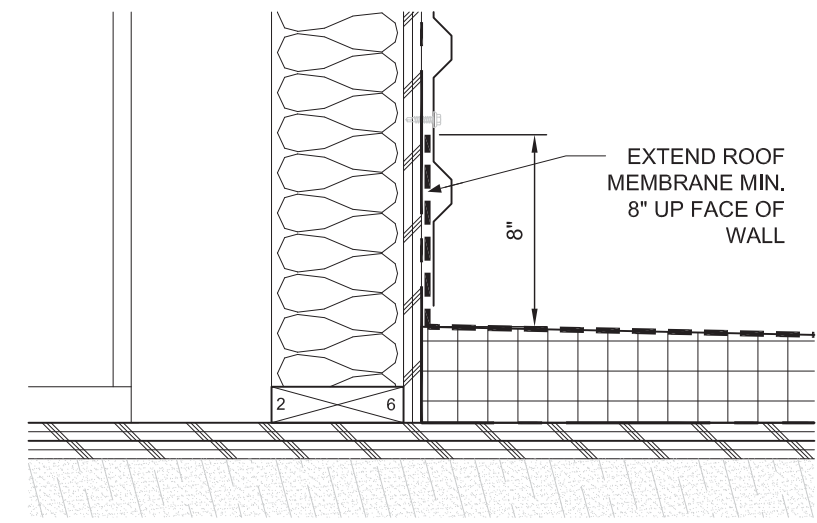
**3 PENTHOUSE ROOF DETAIL**  
1-1/2" = 1'-0"



**4 LEDGER BOARD DETAIL**  
1-1/2" = 1'-0"



**2 PENTHOUSE EAST ELEVATION**  
1/4" = 1'-0"



**5 PENTHOUSE BASE DETAIL**  
1-1/2" = 1'-0"