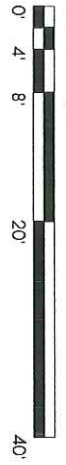




**GREEN RESIDENCE**  
 14 CRAIGIE STREET, CAMBRIDGE, MA – MASTER PLAN  
 4 AUGUST, 2016  
 SCALE: 1/8"=1'-0"



**RECEIVED**

AUG 29 2016

CAMBRIDGE HISTORICAL COMMISSION



MATTHEW  
CUNNINGHAM  
LANDSCAPE  
DESIGN LLC  
matthewcunningham.com

GREEN RESIDENCE  
14 CRAIGIE STREET, CAMBRIDGE, MA  
SOUTH ELEVATION: PRIVACY FENCE/HEDGE  
AUGUST 16 2016



MATTHEW  
CUNNINGHAM  
LANDSCAPE  
DESIGN LLC  
matthewcunningham.com

GREEN RESIDENCE  
14 CRAIGIE STREET, CAMBRIDGE, MA  
SOUTH ELEVATION: PRIVACY FENCE/HEDGE  
AUGUST 16 2016

RECEIVED

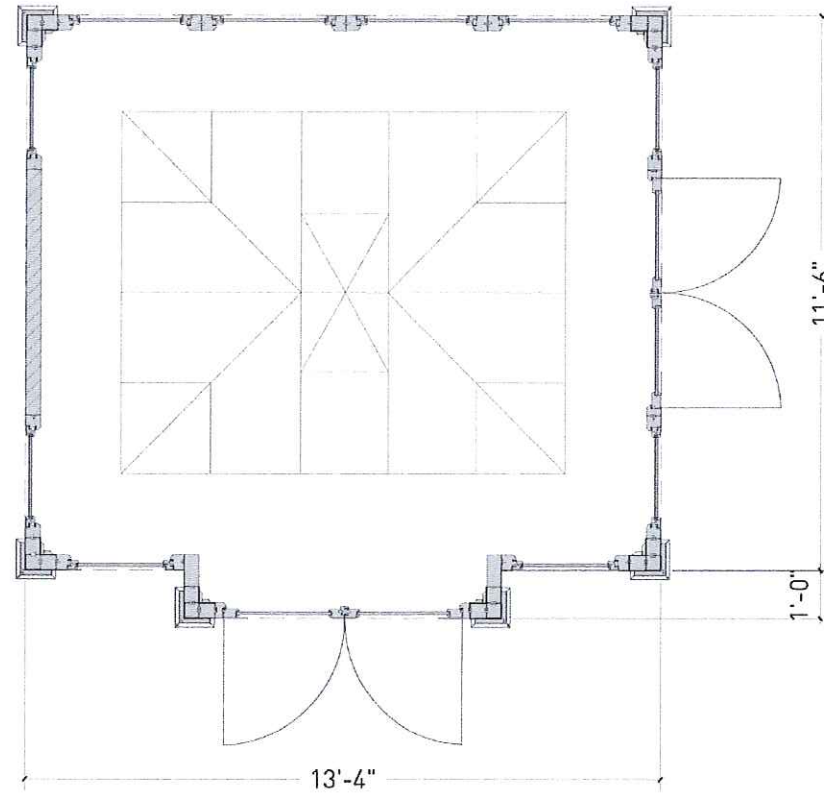
AUG 29 2016

CAMBRIDGE HISTORICAL COMMISSION

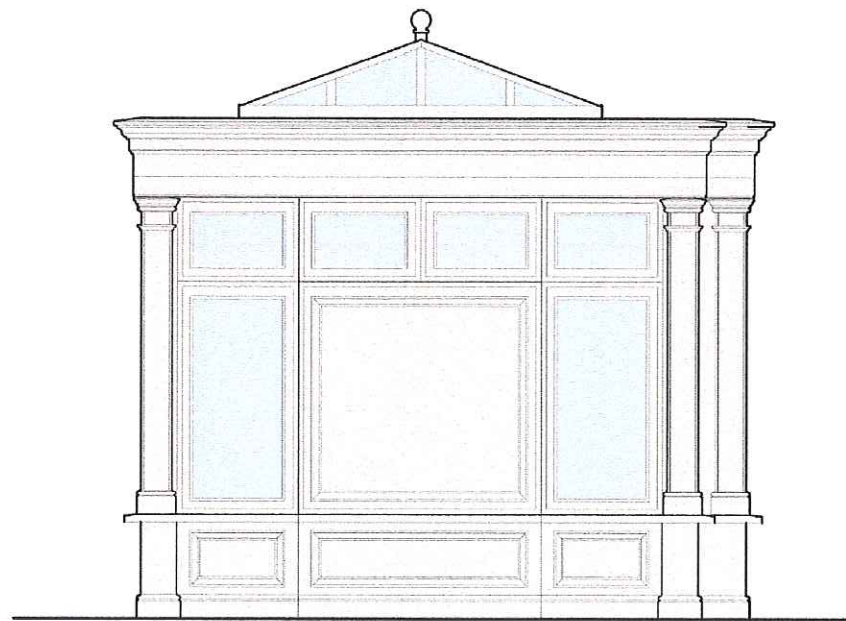
RECEIVED

AUG 29 2016

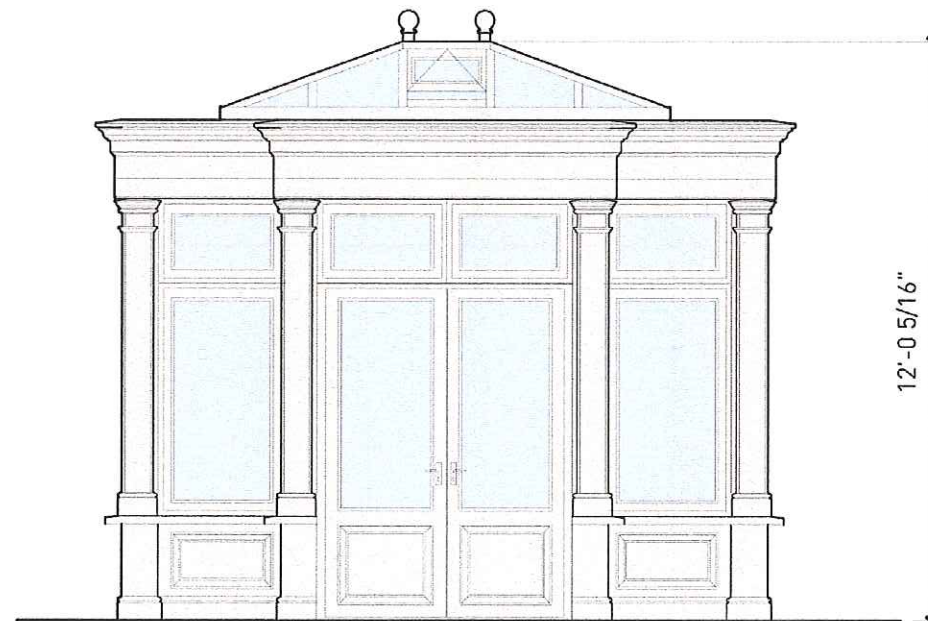
CAMBRIDGE HISTORICAL COMMISSION



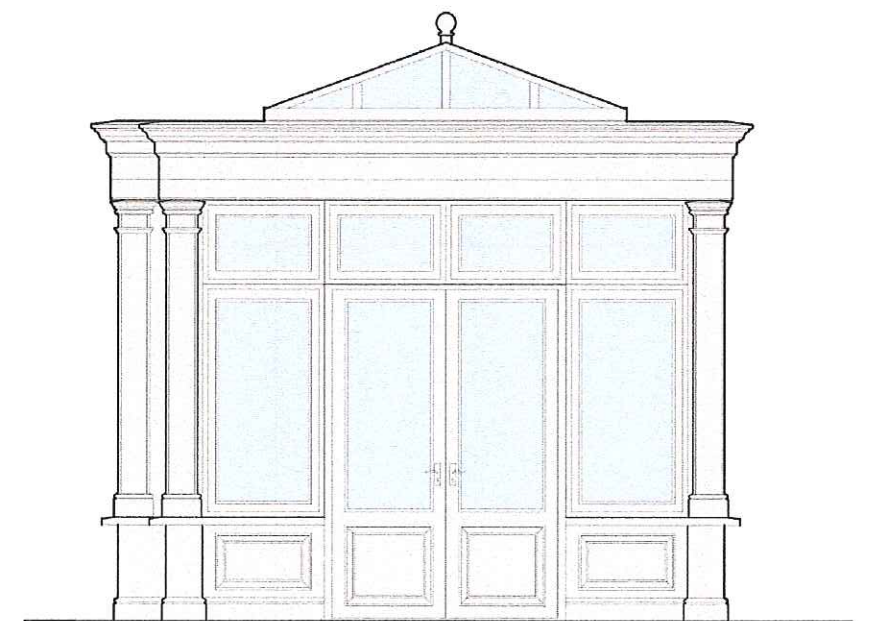
PLAN VIEW



SIDE ELEVATION



END ELEVATION



SIDE ELEVATION