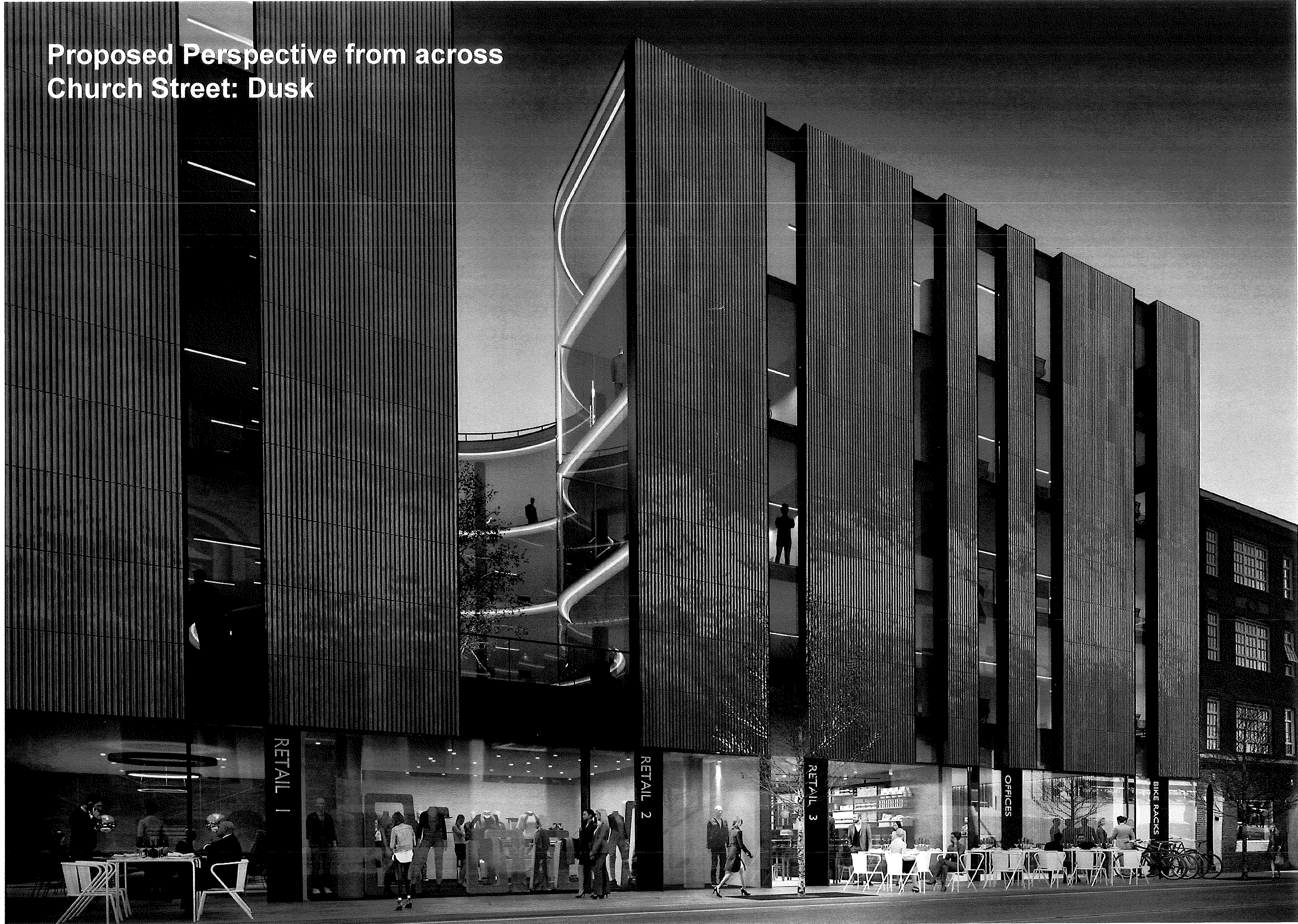


Requests for Additional Information

Provide a rendering of the facade at night (requester felt that previous renderings were dusk or day).

Proposed Perspective from across
Church Street: Dusk

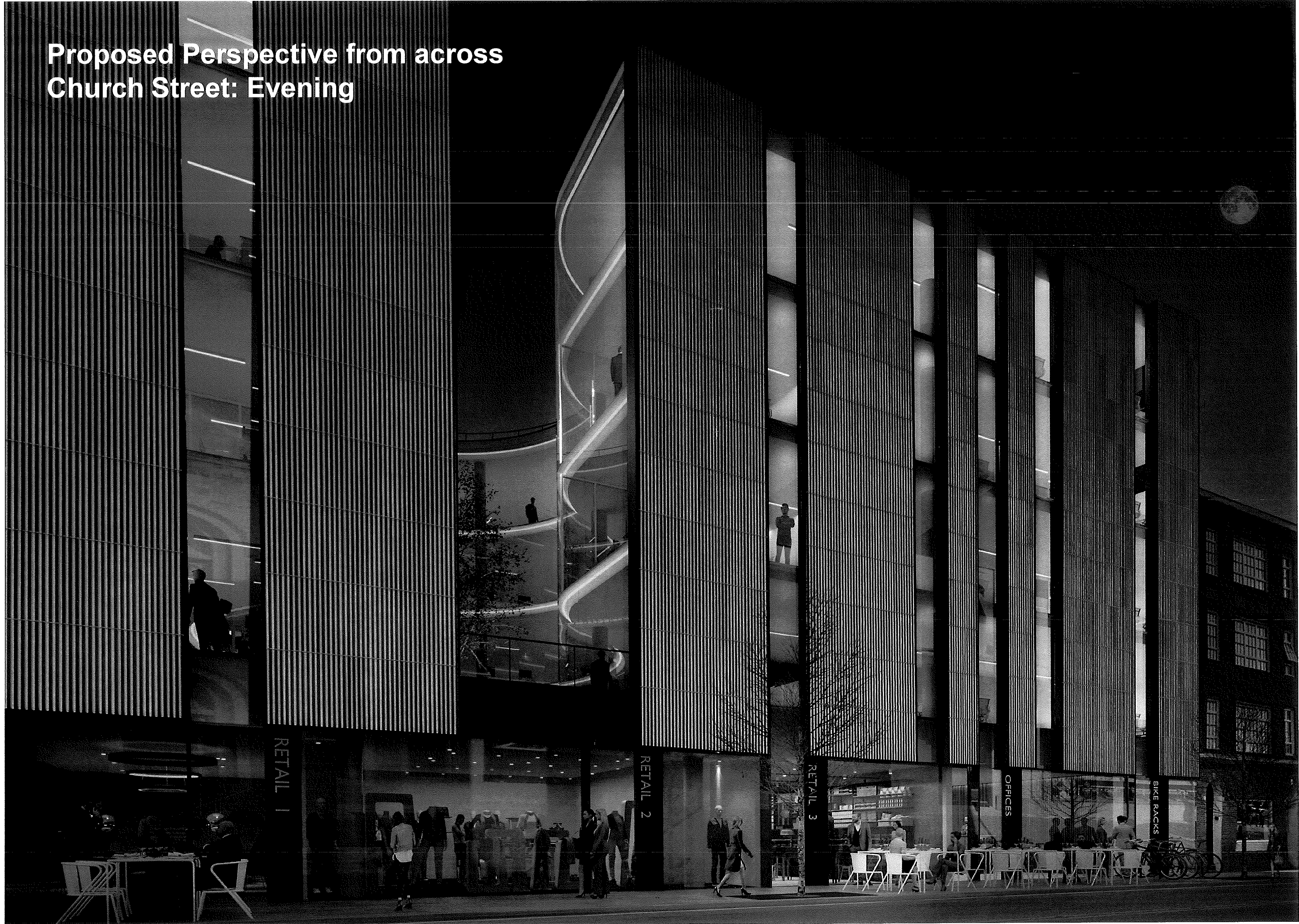


10 CHURCH STREET

CAMBRIDGE HISTORIC COMMISSION
NOVEMBER 7, 2019

PROMONTORIO
MERGEARCHITECTS

**Proposed Perspective from across
Church Street: Evening**



10 CHURCH STREET

CAMBRIDGE HISTORIC COMMISSION
NOVEMBER 7, 2019

PROMONTORIO
MERGEARCHITECTS

Requests for Additional Information

What color / material will the facade be?

Proposed Perspective from Sidewalk, Looking Up



RET

Proposed Perspective from Sidewalk, Looking Up



10 CHURCH STREET

CAMBRIDGE HISTORIC COMMISSION
NOVEMBER 7, 2019

PROMONTORIO
MERGEARCHITECTS

Proposed Perspective looking East



10 CHURCH STREET

CAMBRIDGE HISTORIC COMMISSION
NOVEMBER 7, 2019

PROMONTORIO
MERGEARCHITECTS

Requests for Additional Information

Consider programming roof of theater entry.

Proposed Perspective from
Across Church Street

HARVARD SQUARE THEATRE

Opening Night
April 12 7pm

Cambridge Science Festival

Science Carnival & Robot Zoo
April 13 12 noon - 4pm

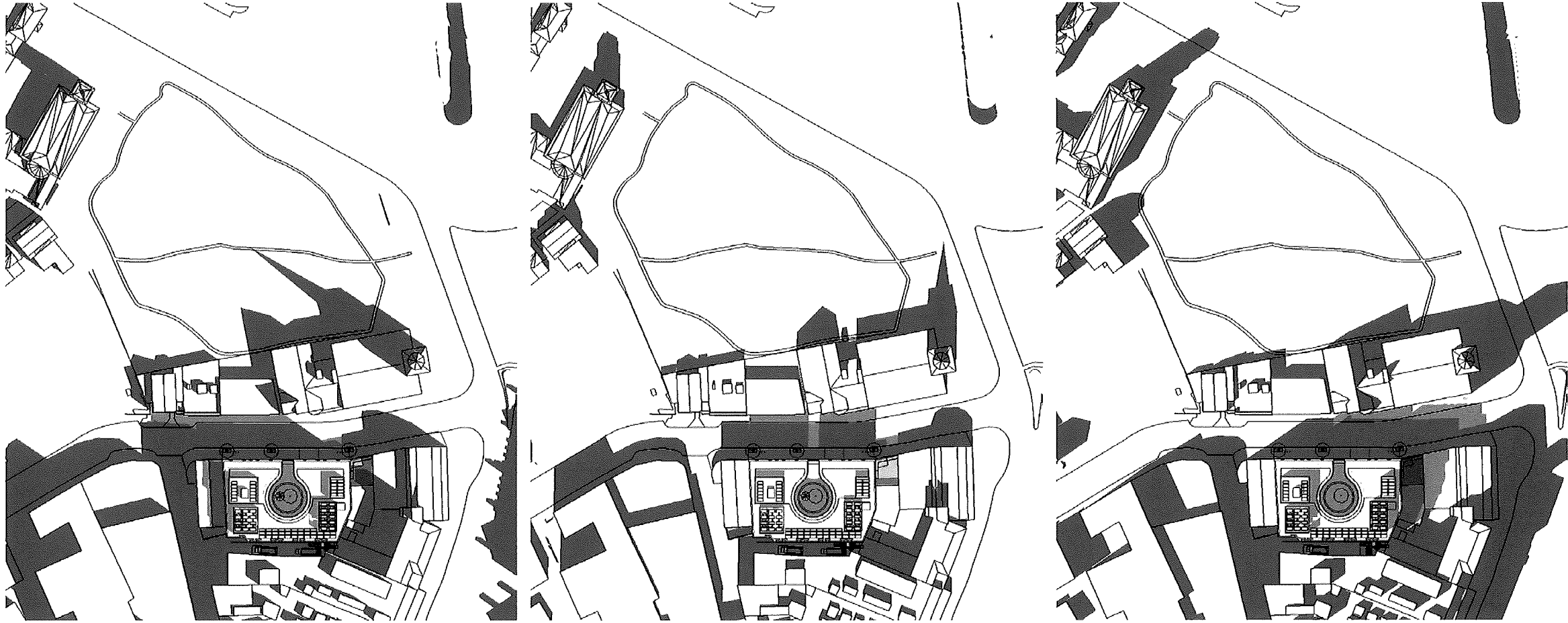


Requests for Additional Information

Will shadows be cast on Christ Church?
Expand shadow study to include Christ Church.

Shadow Studies: March 21st

Existing Shadows
New Shadows



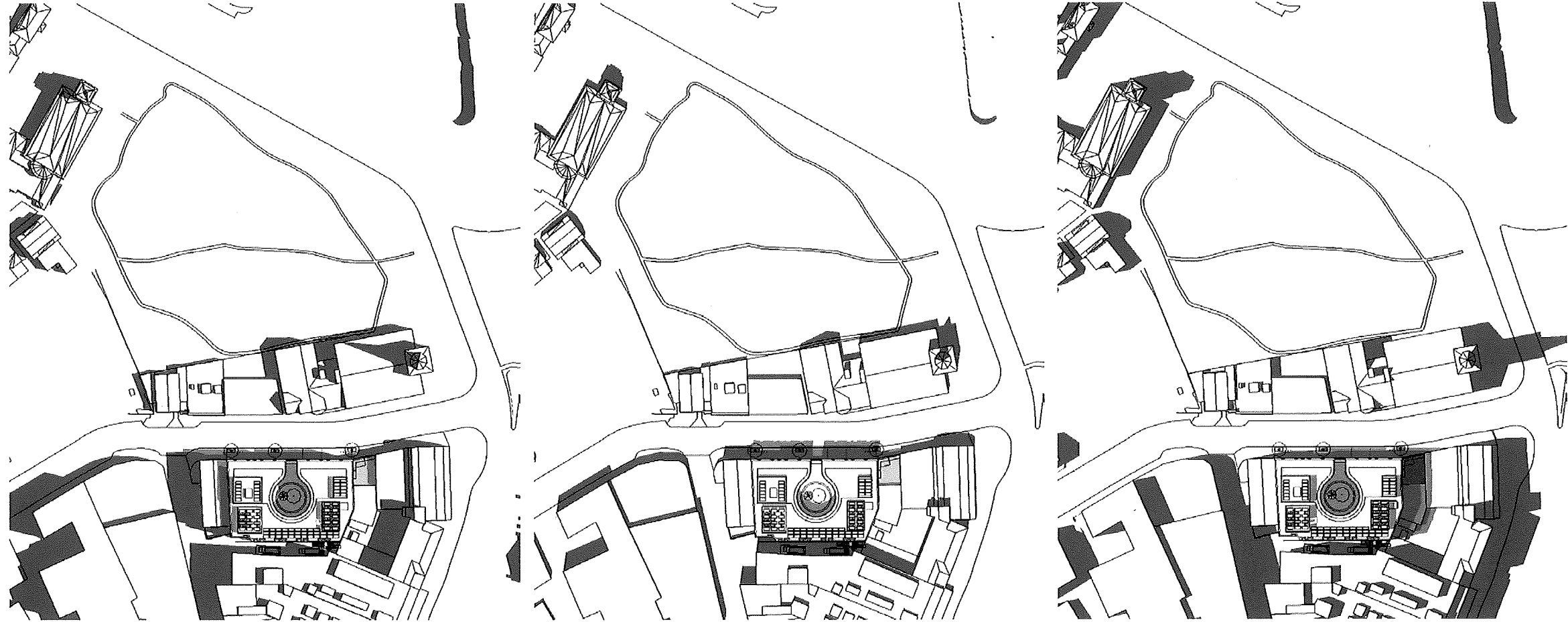
9:00 AM

12:00 PM

3:00 PM

Shadow Studies: June 21st

Existing Shadows
New Shadows



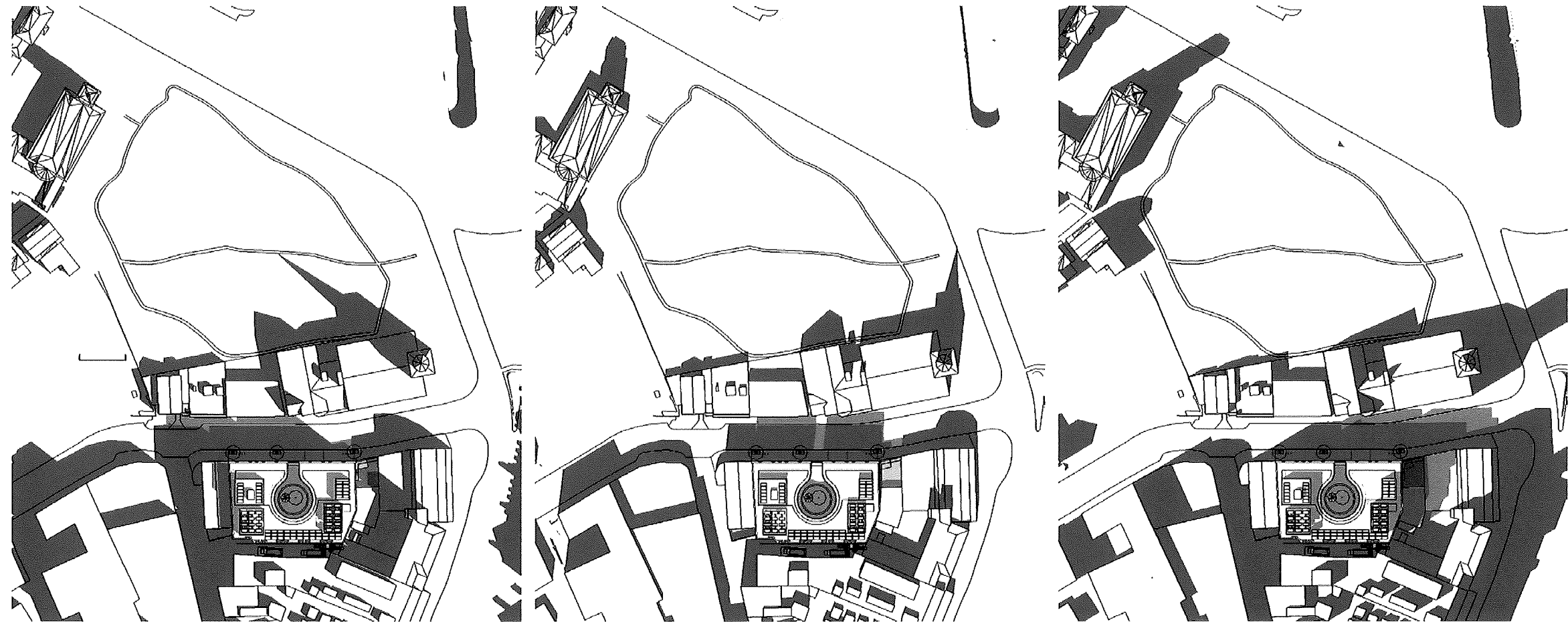
9:00 AM

12:00 PM

3:00 PM

Shadow Studies: September 21st

Existing Shadows
New Shadows



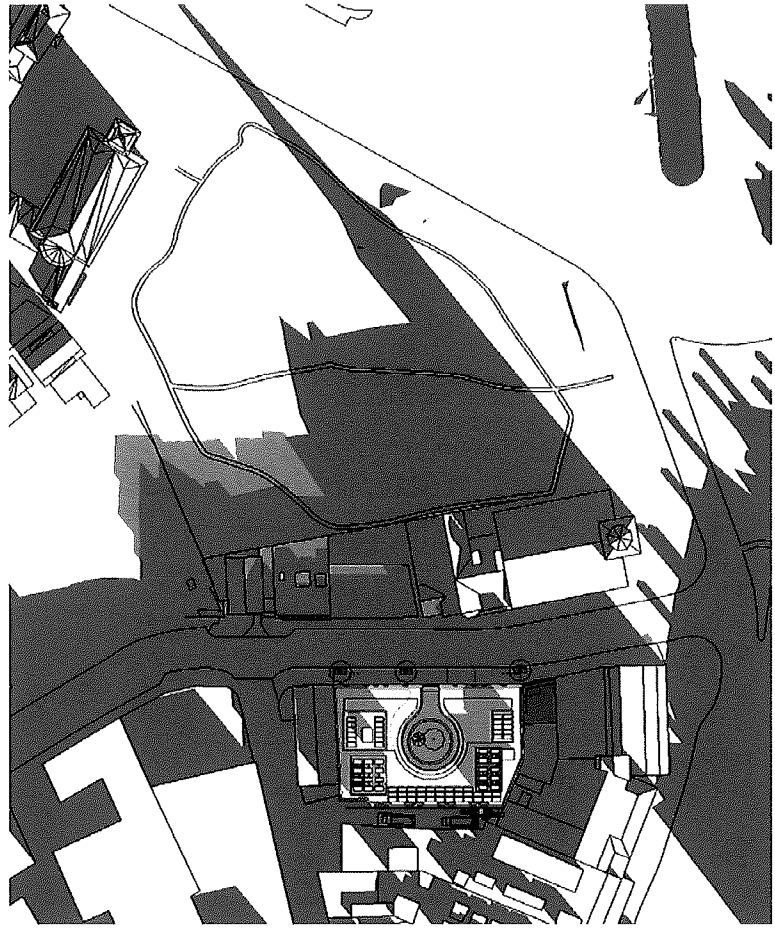
9:00 AM

12:00 PM

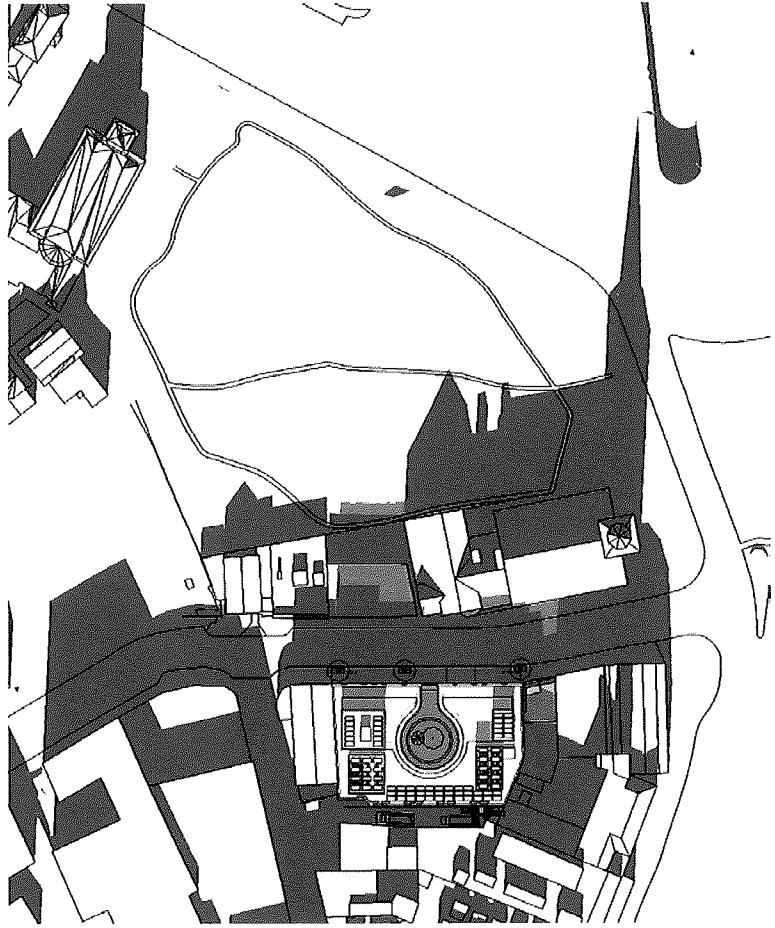
3:00 PM

Shadow Studies: December 21st

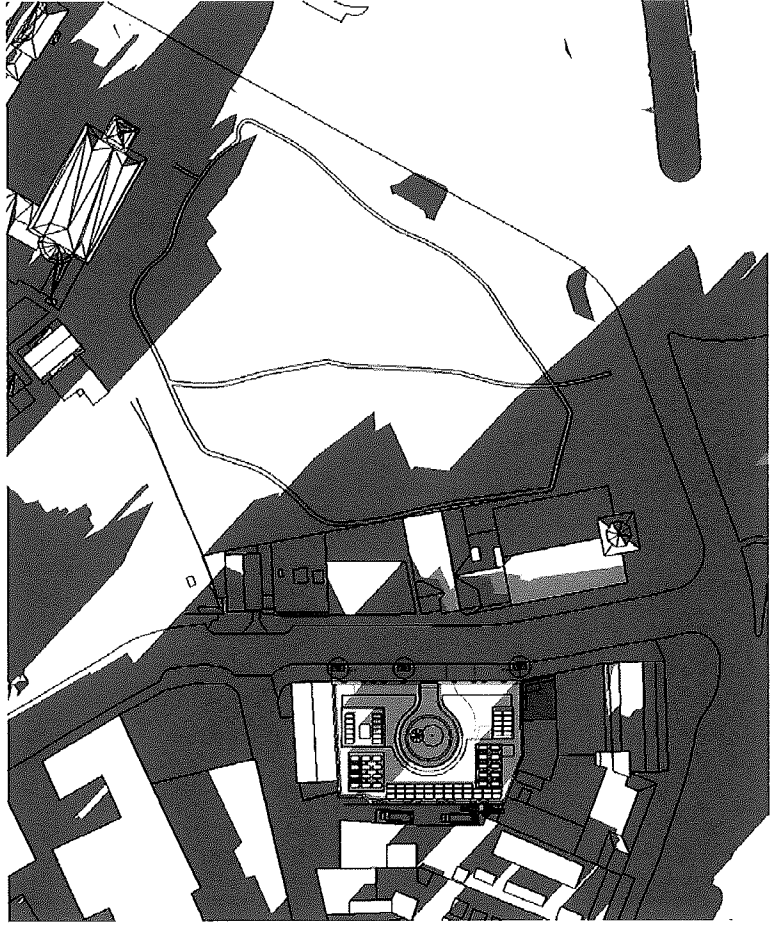
Existing Shadows
New Shadows



9:00 AM



12:00 PM

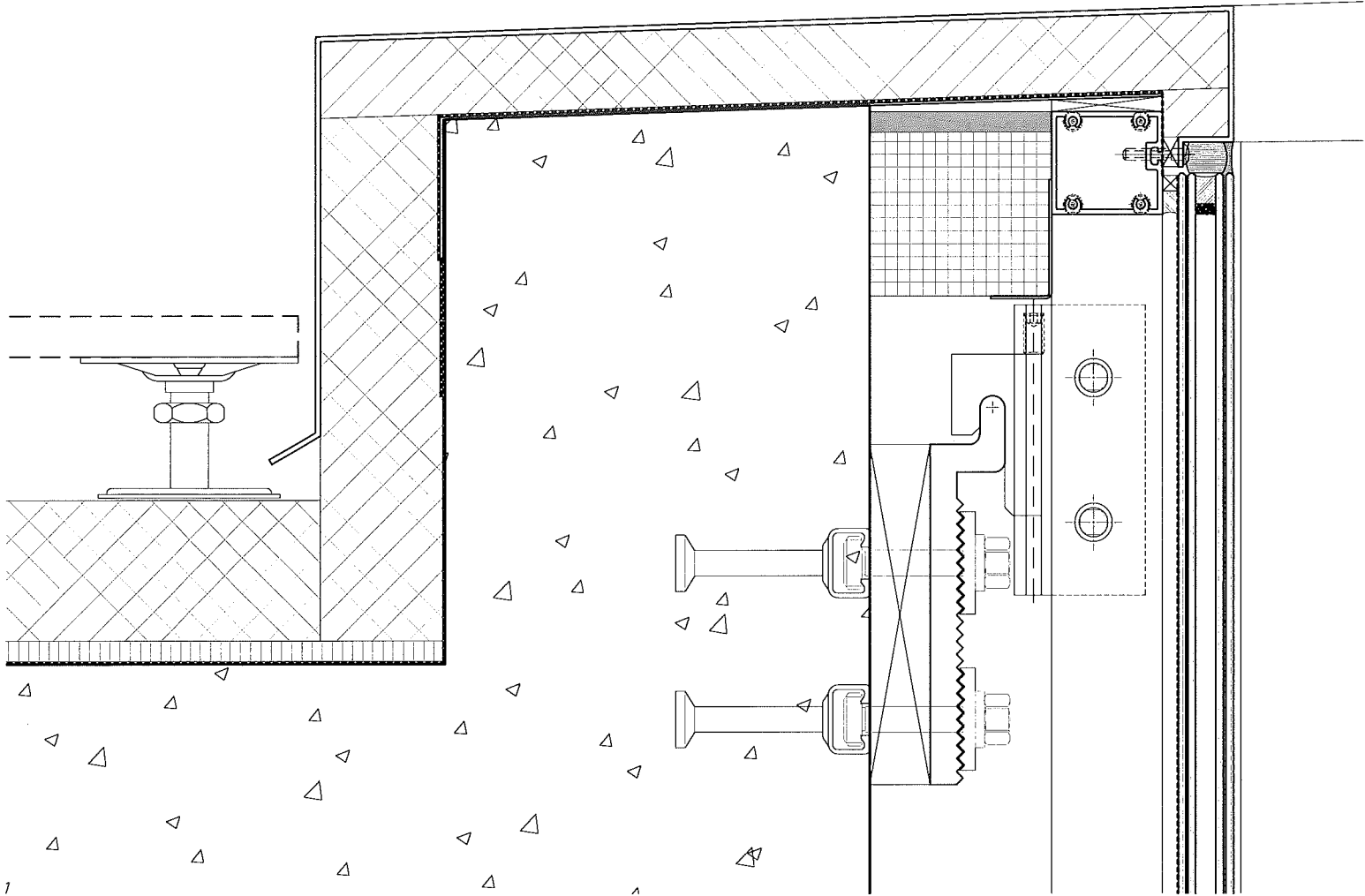


3:00 PM

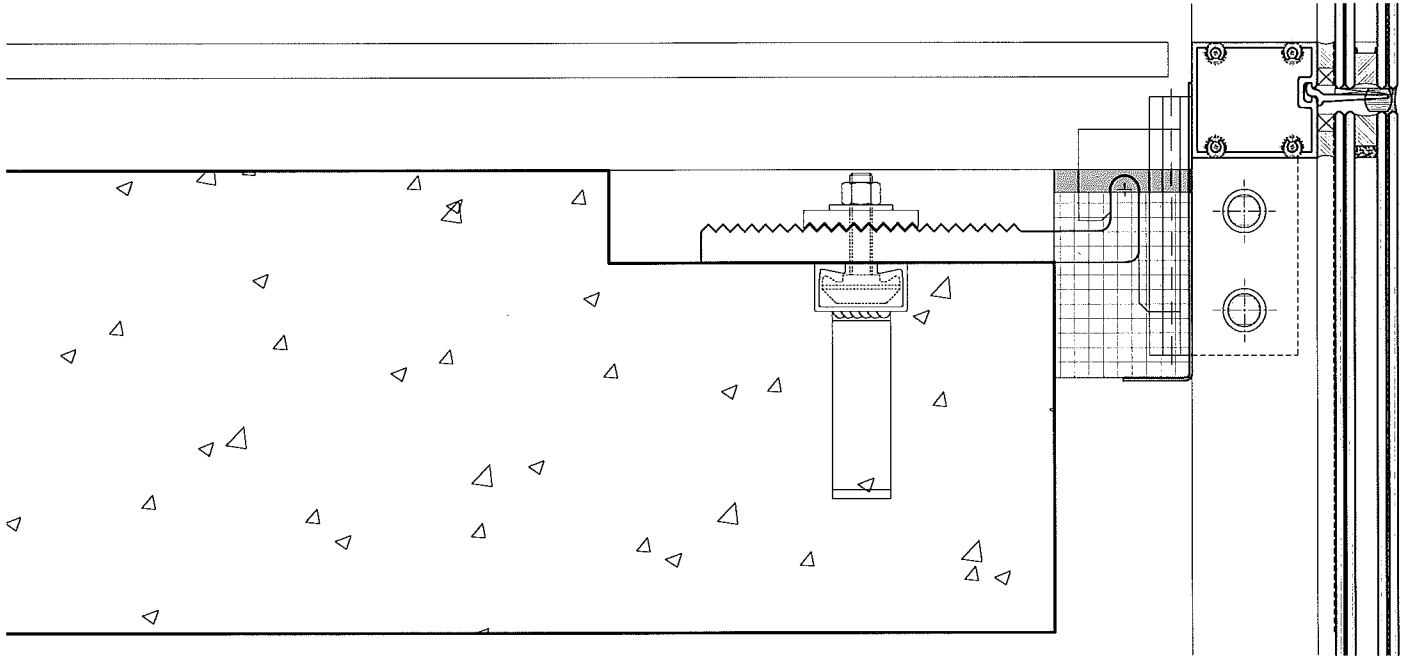
Requests for Additional Information

How will the glazing be divided?
Provide detail of approach.

Proposed Detail of Church Street Glazing

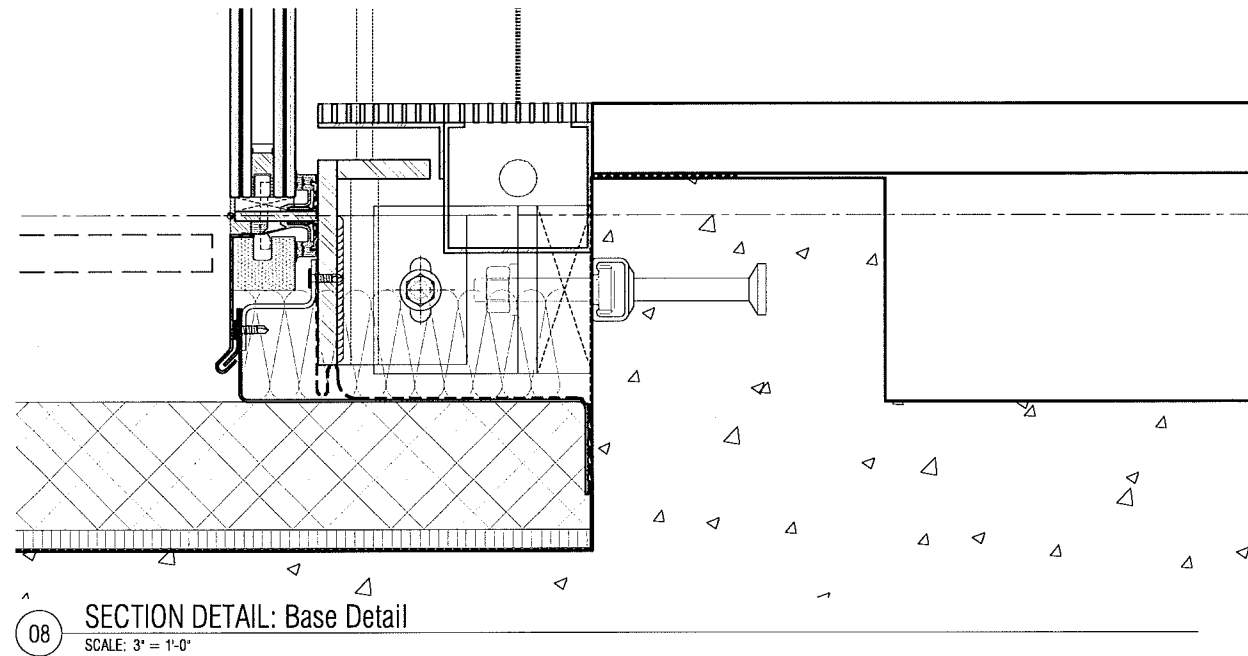
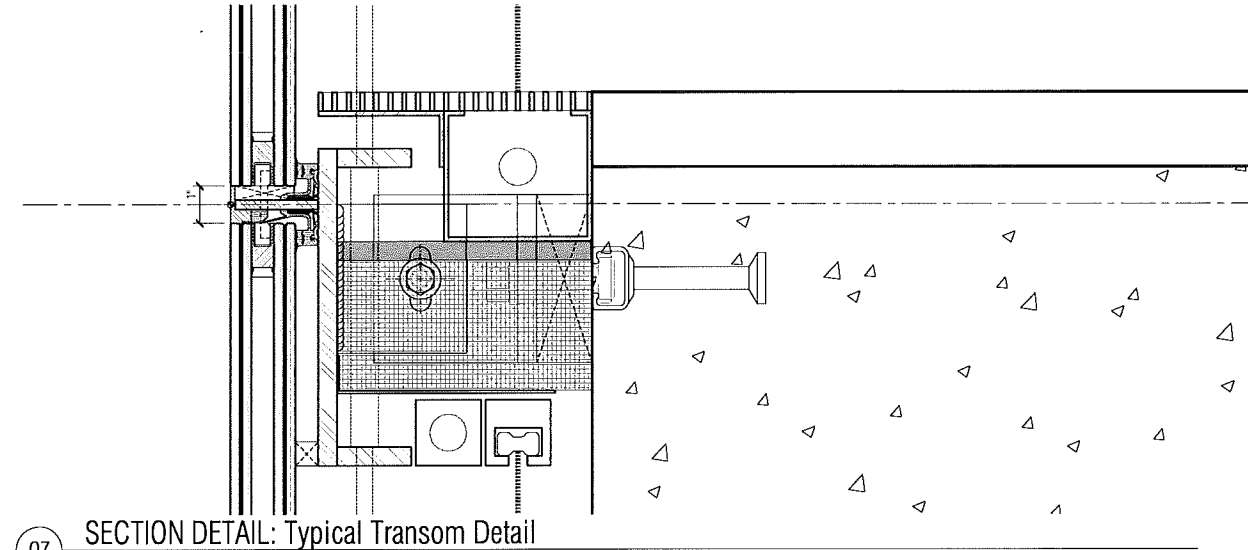


01 SECTION DETAIL: Street Facade, Glazing System Head
SCALE: 3" = 1'-0"



02 SECTION DETAIL - STREET FACADE, Glazing System Transom
SCALE: 3" = 1'-0"

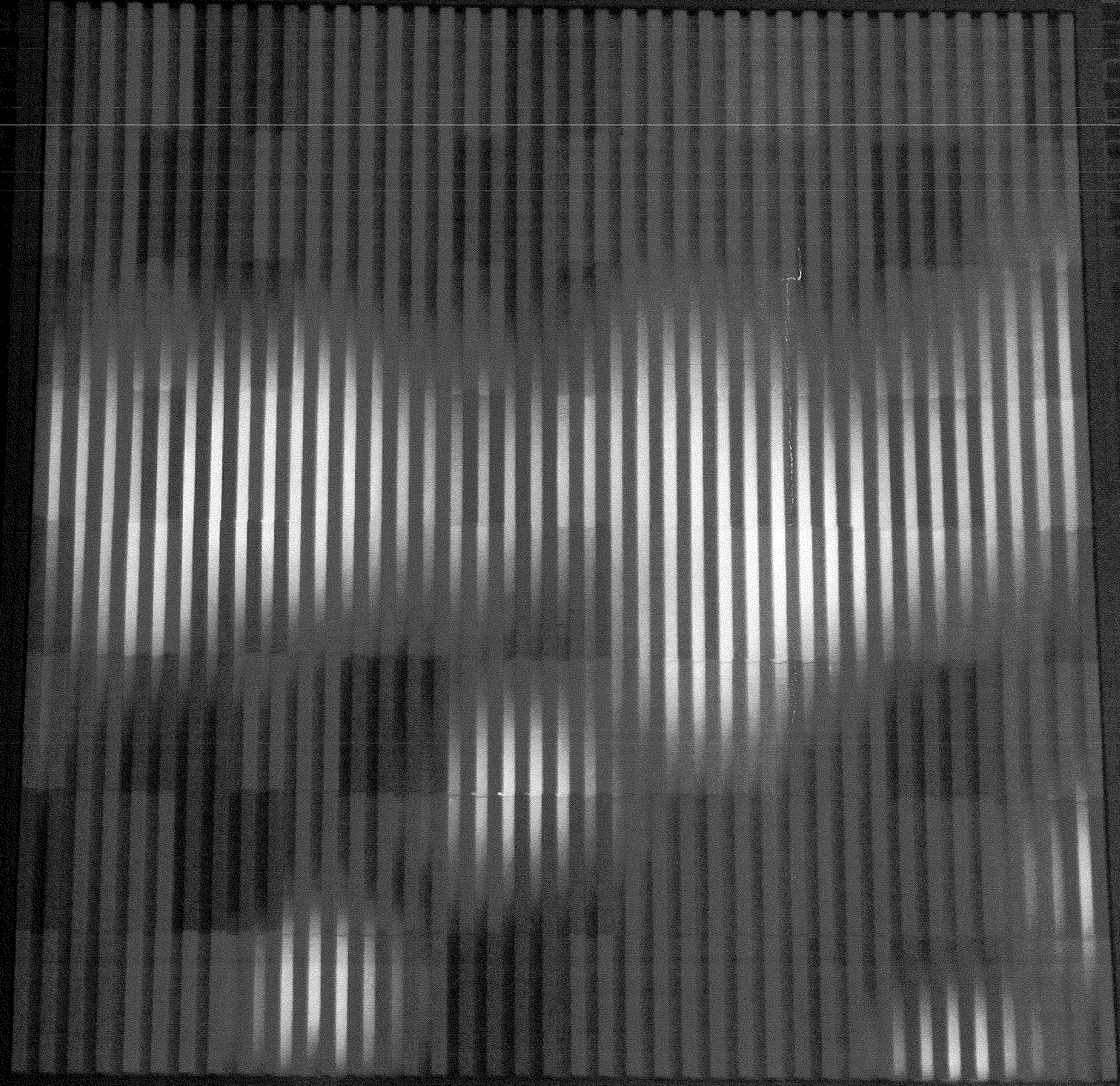
Proposed Detail of Courtyard Glazing



Requests for Additional Information

How will the facade and the lighting look?
Create mock-up.

Image from Facade Mock-up Demonstration



Requests for Additional Information

Please show how the lighting interacts with nearby residential.

Provide a drawing showing residences that will be able to see facade.

Facade Visibility Study: Residential

■ Residences with Potential View

■ Residences with Potential View from Level 3 and above



Requests for Additional Information

What is message of expressive facade?

Requests for Additional Information

What is the message of the expressive facade?

The expressive facade is intended to activate Church Street by giving school-aged children in Cambridge a platform to express themselves through abstract art.

Requests for Additional Information

What are the constraints for the LED facade (brightness, operating hours, speed of movement)?

Requests for Additional Information

What are the constraints for the LED facade (brightness, operating hours, speed of movement)?

The following are governed under existing ordinances:

- It will never display advertising
- It will be made of indirect, completely dimmable lighting

We plan to add the additional constraints:

- It will have limited hours of operation (8am–8pm, intermittent use)
- The movement will be slow (1" per second, or slower)
- It will not blink or strobe
- The illuminance will not exceed 2 footcandles (two lumens per square foot)
- It will be beautiful whether the LEDs are on or off