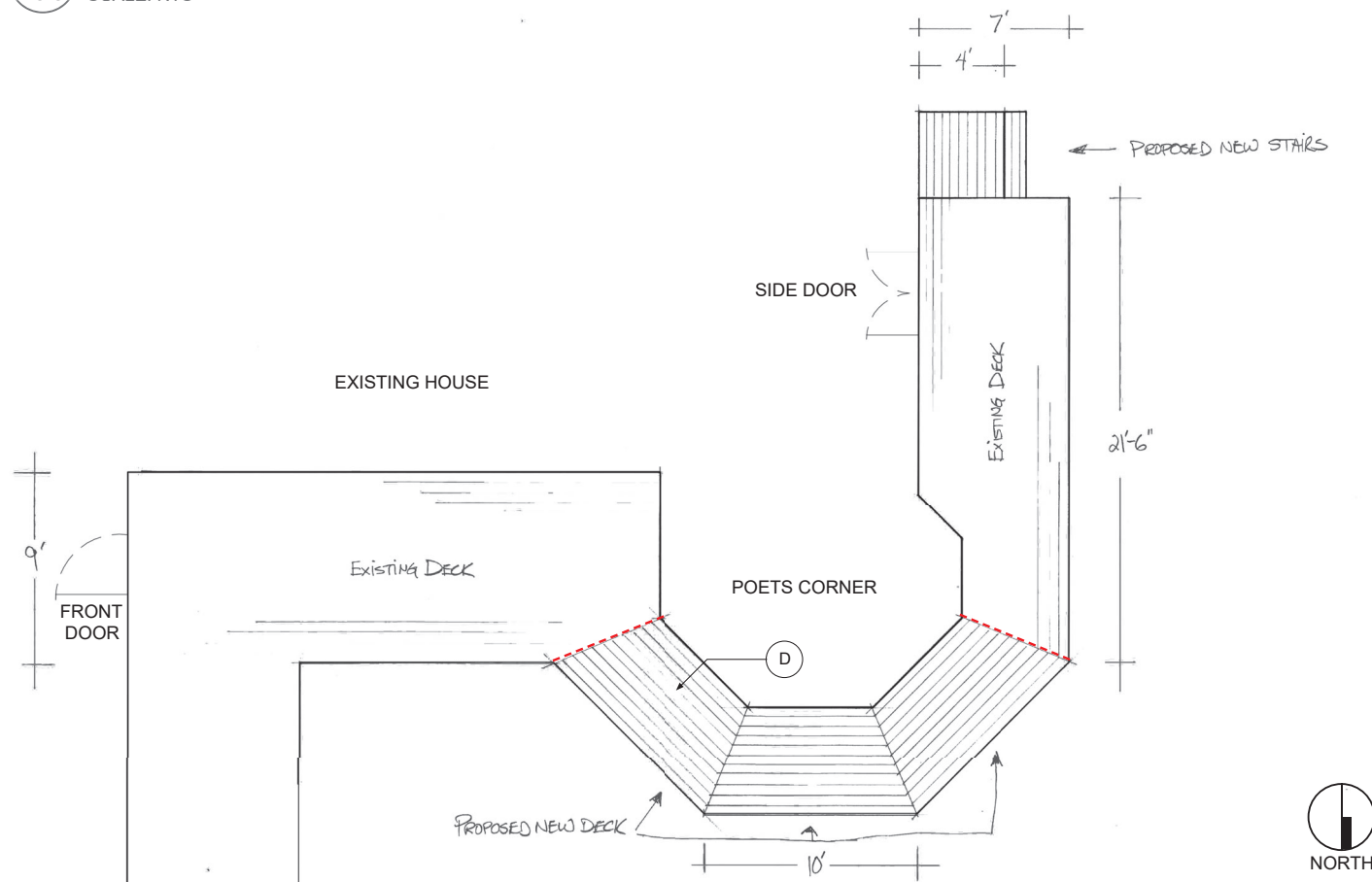
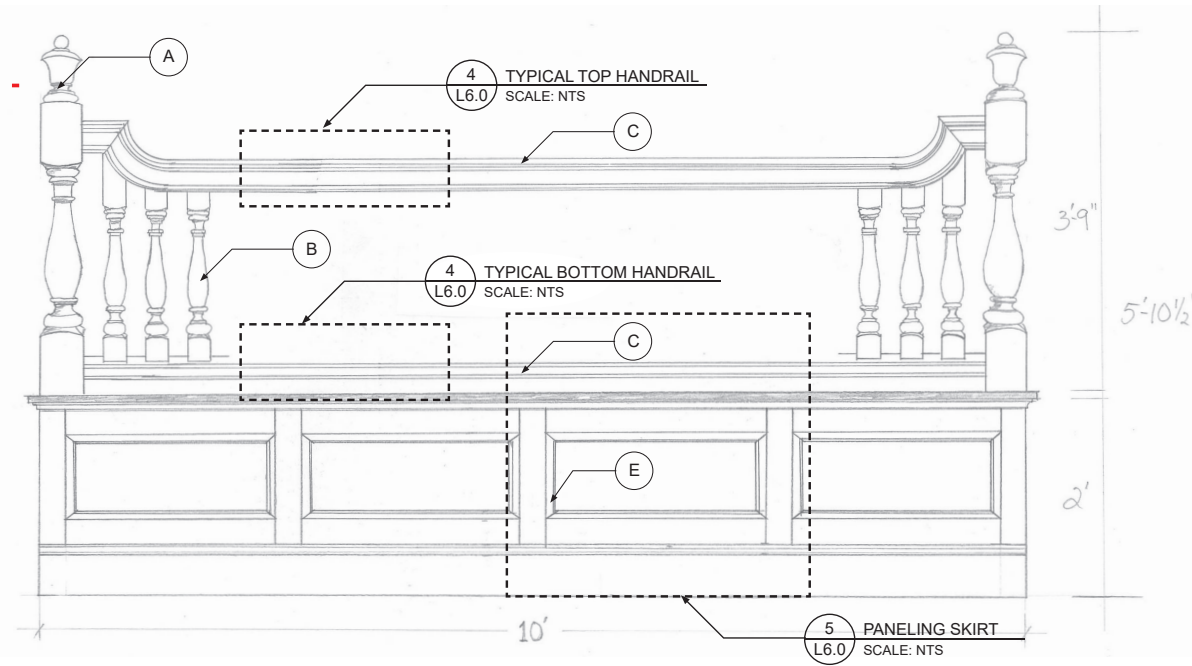




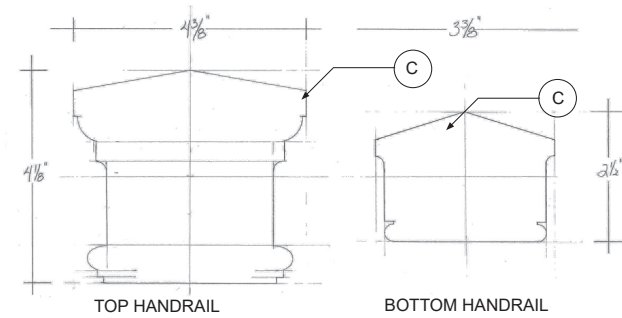
1 EXISTING CONDITION - VIEW FROM BRATTLE STREET
L6.0 SCALE: NTS



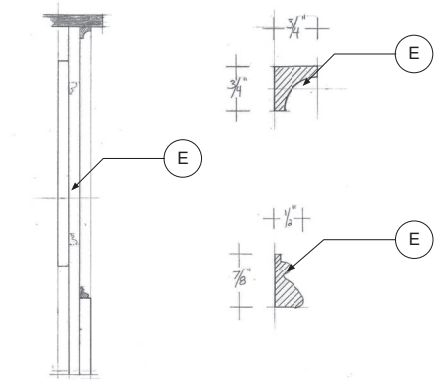
2 PROPOSED DECK PLAN / KEY PLAN
L6.0 SCALE: NTS



3 TYPICAL BALUSTER
L6.0 SCALE: NTS



4 TYPICAL HANDRAILS
L6.0 SCALE: NTS



5 PANELING SKIRT
L6.0 SCALE: NTS

MATERIALS LEGEND:

TAG DETAIL DESCRIPTION

DECKING

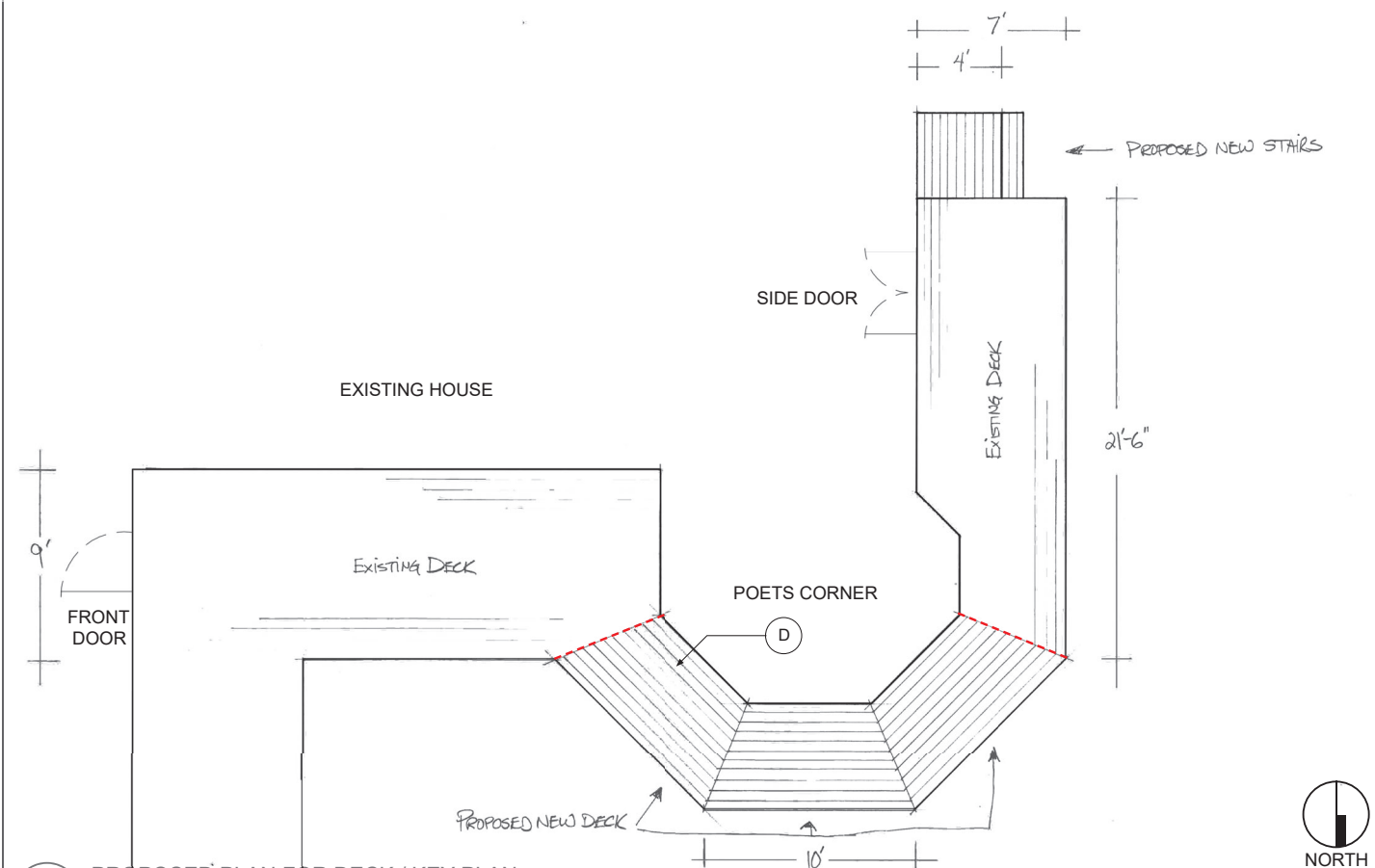
- A (3/L6.0) NEWEL POSTS - WESTERN RED CEDAR
- B (3/L6.0) BALUSTERS- WESTERN RED CEDAR
- C (4/L6.0) HANDRAILS - WESTERN RED CEDAR /MAHOGANY
- D (2/L6.0) DECKING - 1 X 4" MAHOGANY
- E (5/L6.0) SKIRTS/ PANELING - EASTERN WHITE PINE / MAHOGANY

NOTE(S):

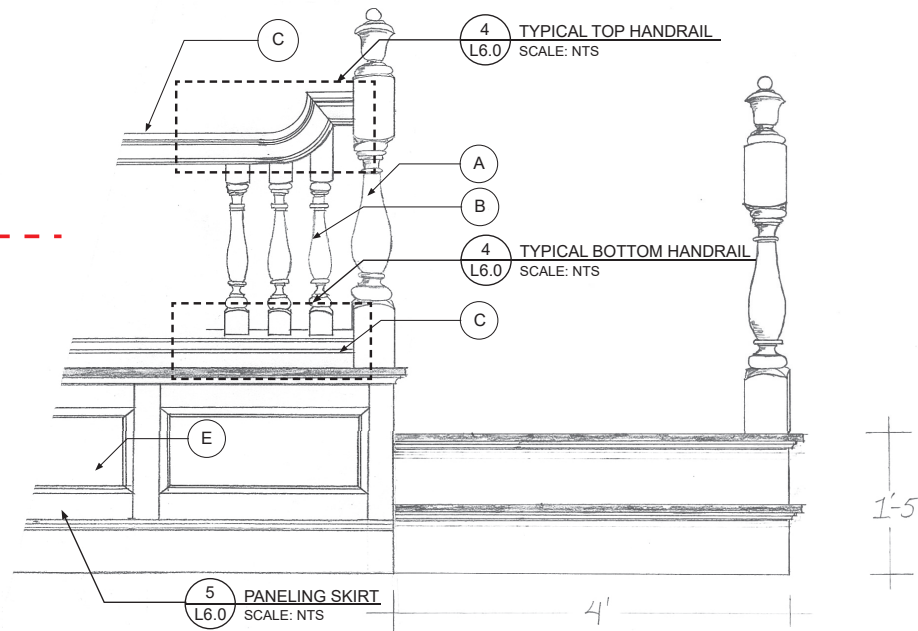
- DECKING TO REMAIN NATURAL IN COLOR
- ALL PAINT TO MATCH EXISTING



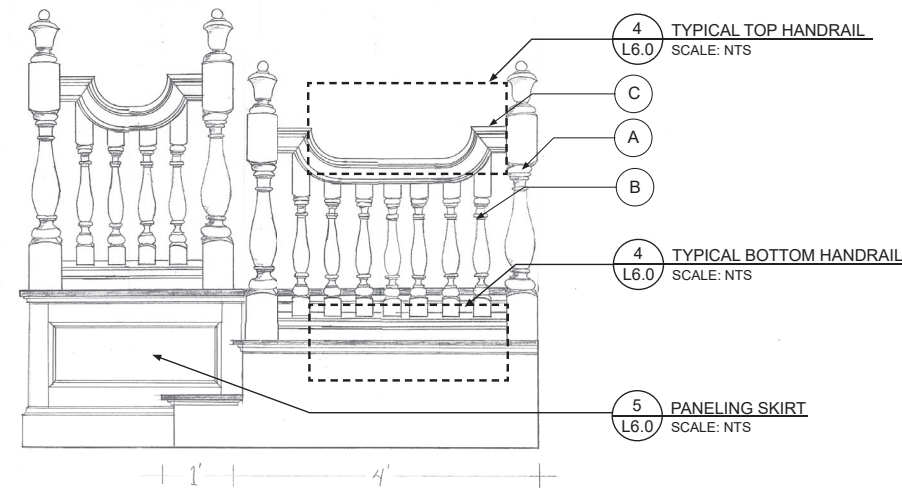
1 EXISTING CONDITION - SIDE PORCH
L6.0 SCALE: NTS



2 PROPOSED PLAN FOR DECK / KEY PLAN
L6.1 SCALE: NTS



3 WEST ELEVATION
L6.1 SCALE: NTS



4 SOUTH ELEVATION
L6.1 SCALE: NTS

MATERIALS LEGEND:

TAG DETAIL DESCRIPTION

DECKING

A	3/L6.0	NEWEL POSTS - WESTERN RED CEDAR
B	3/L6.0	BALUSTERS - WESTERN RED CEDAR
C	4/L6.0	HANDRAILS - WESTERN RED CEDAR / MAHOGANY
D	2/L6.0	DECKING - 1 X 4" MAHOGANY
E	5/L6.0	SKIRTS / PANELING - EASTERN WHITE PINE / MAHOGANY

NOTE(S):

- DECKING TO REMAIN NATURAL IN COLOR
- ALL PAINT TO MATCH EXISTING