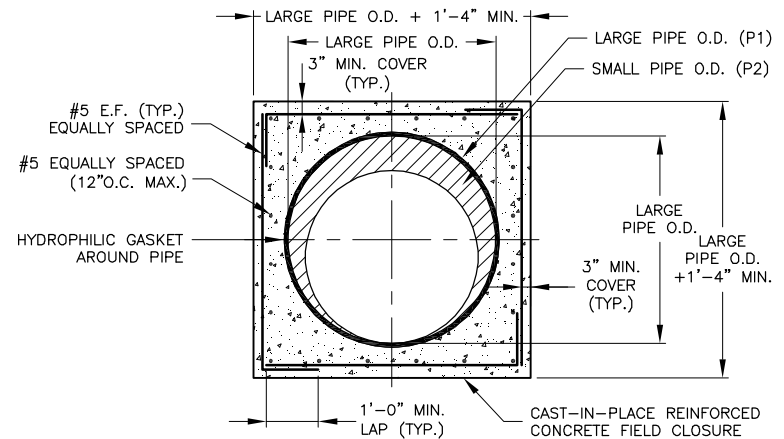


SECTION A-A



SECTION B-B

- NOTES:
1. SPACING BETWEEN PIPES (L) DEPENDS ON PIPE SIZES, FOR PIPES OF THE SAME SIZE USE 4". THE DISTANCE "L" EQUALS THE LARGE PIPE I.D. MINUS THE SMALL PIPE I.D. TIMES TWO [ $L=(P1-P2) \times 2$ ] BUT NO LESS THAN 4".
  2. PROPOSED PIPE INVERT SHALL MATCH EXISTING PIPE INVERT UNLESS OTHERWISE NOTED.
  3. SAND BLAST EXISTING PIPE PERIMETER AND APPLY BONDING AGENT PRIOR TO CONCRETE ENCASEMENT.
  4. CONCRETE AND REBAR REQUIREMENTS SHALL CONFORM TO CAST-IN-PLACE CONCRETE.
  5. LOCATION OF FIELD CLOSURE SHALL BE SUBJECT TO THE ENGINEER'S APPROVAL.
  6. FOR NON-PRESSURE PIPES OF DIFFERENT MATERIALS OR SIZES.



CAST IN PLACE FIELD CLOSURE

CITY OF CAMBRIDGE STANDARD SPECIFICATIONS AND DETAILS

SCALE: N.T.S.

DATE OF ISSUE: 02/05

SPEC. SECTION REF#: 03300

3300.1