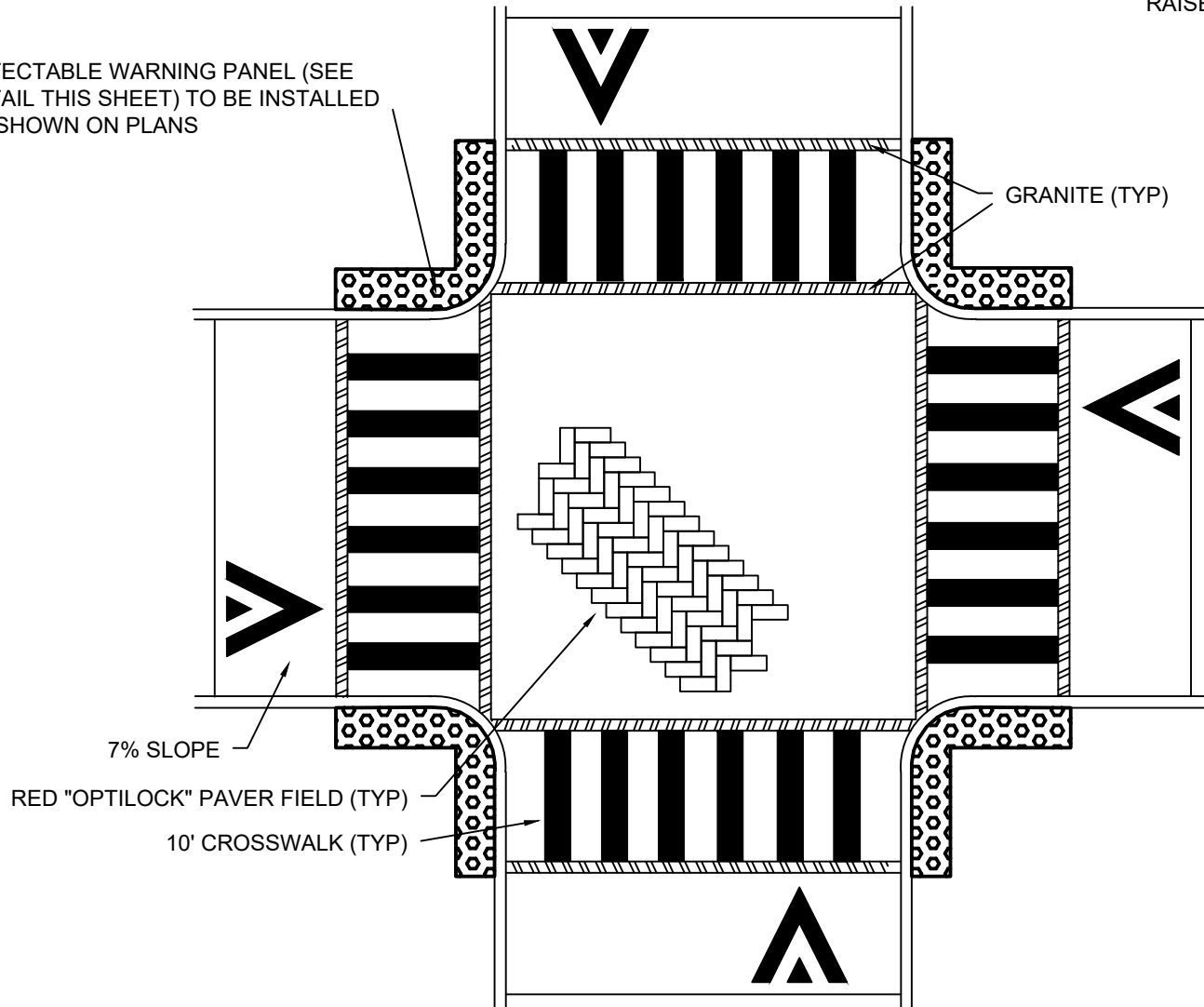


SEE: RAISED INTERSECTION PROFILE  
RAISED INTERSECTION W/ PAVERS DETAIL

DETECTABLE WARNING PANEL (SEE  
DETAIL THIS SHEET) TO BE INSTALLED  
AS SHOWN ON PLANS



### 4-WAY RAISED INTERSECTION PLAN

SCALE: N.T.S. CITY OF CAMBRIDGE STANDARD DETAILS 1/20



### 4-WAY RAISED INTERSECTION PLAN

CITY OF CAMBRIDGE STANDARD DETAILS

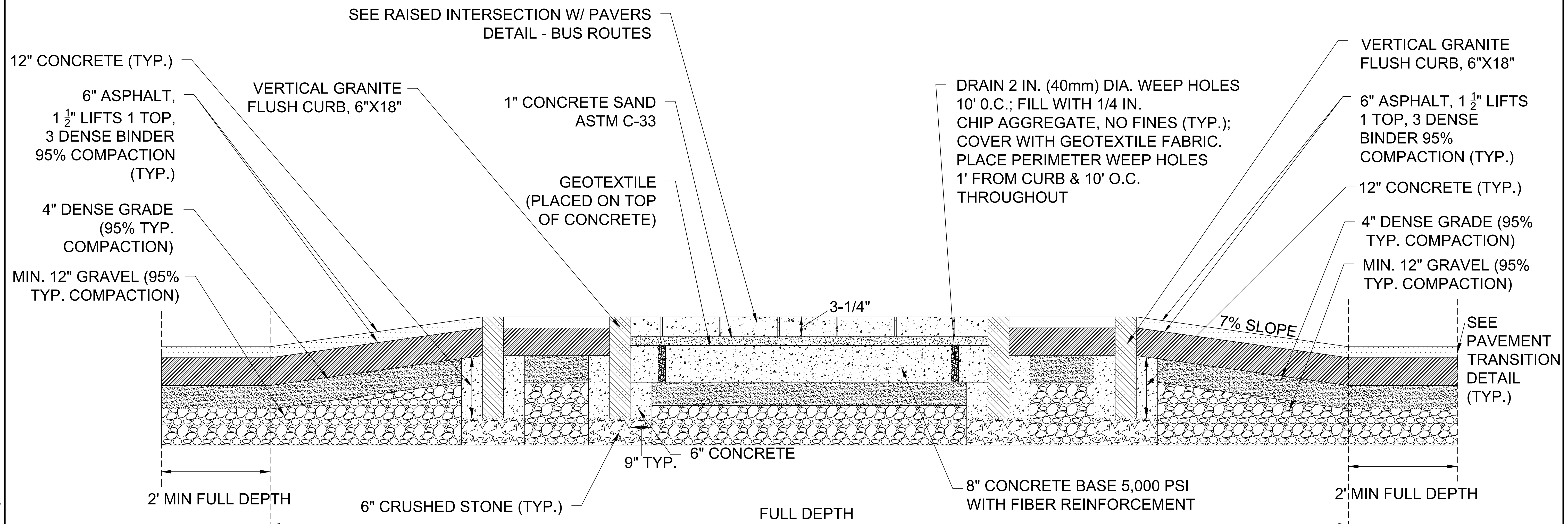
SCALE: N.T.S.

DATE  
OF ISSUE: 1/20

SPEC. SECTION REF#:

NOTES:

- SEE SPECIFICATIONS FOR ADDITIONAL RAISED INTERSECTION CONSTRUCTION REQUIREMENTS

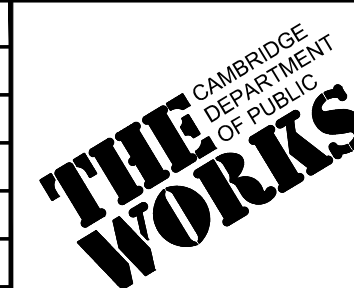


**RAISED INTERSECTION PROFILE PAVERS W/ CONCRETE BASE - BUS ROUTE**

SCALE: N.T.S.



Scale	AS NOTED			
Date	JANUARY 2020			
Job No.				
Designed by	FMM			
Drawn by	SH			
Checked by	JM	No.	Description	Date
Approved by			REVISIONS	

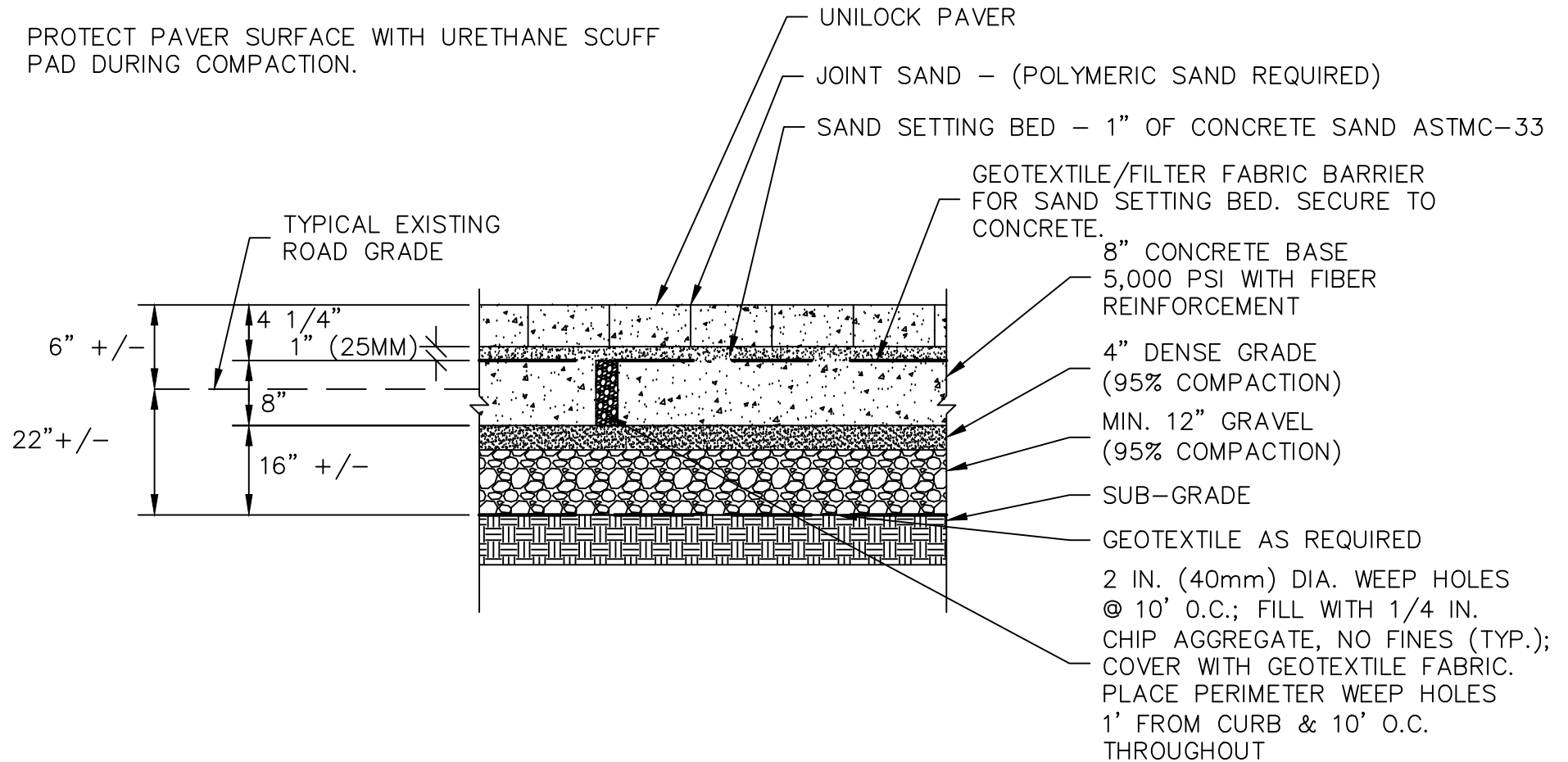


Client	CITY OF CAMBRIDGE, MASSACHUSETTS	Sheet
Project	CITY OF CAMBRIDGE STANDARD DETAILS	
Drawing	RAISED INTERSECTION - PROFILE BUS ROUTE	File No.

CAD FILE: C:\Users\shuebschmann\OneDrive - Kleinfelder\Desktop\Cambridge Details\Raised Intersection Profile - Bus Route.dwg LAYOUT: Bus Routes PLOTTED: 2/6/2020 9:53 AM BY: sam huelschmann

NOTES:

1. WEEP HOLES TO BE CONSTRUCTED WITH 2" PVC SLEEVE OR EQUIVALENT. CONTRACTOR TO PREVENT CEMENT CONCRETE FROM COVERING THE WEEP HOLES.
2. PROTECT PAVER SURFACE WITH URETHANE SCUFF PAD DURING COMPACTION.



# RAISED INTERSECTION W/ PAVERS-BUS ROUTE

SCALE: N.T.S.



## RAISED INTERSECTION W/ PAVERS DETAIL - BUS ROUTE

CITY OF CAMBRIDGE STANDARD DETAILS

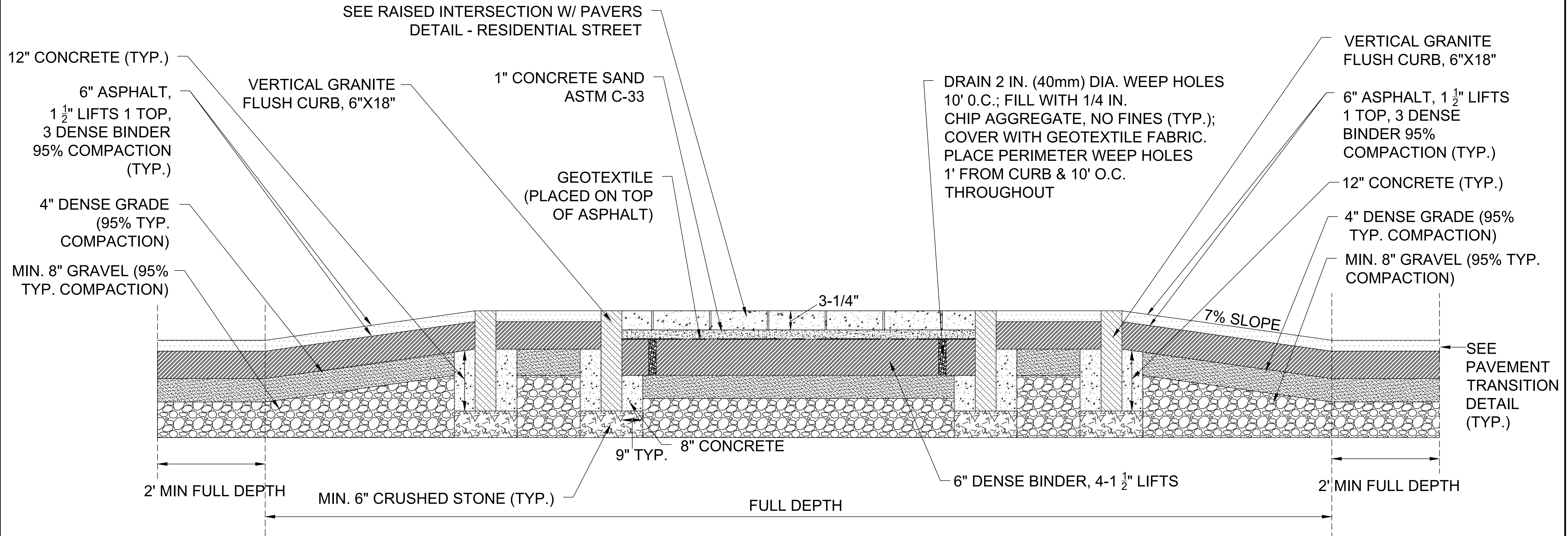
SCALE: N.T.S.

DATE OF ISSUE: 2/6

SPEC. SECTION REF#:

NOTES:

1. SEE SPECIFICATIONS FOR ADDITIONAL RAISED INTERSECTION CONSTRUCTION REQUIREMENTS



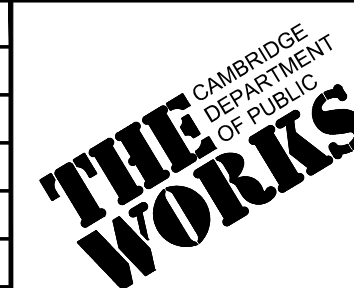
**RAISED INTERSECTION PROFILE - PAVERS W/ ASPHALT BASE - RESIDENTIAL STREET**

SCALE: N.T.S.

CAD FILE: C:\Users\shuebschmann\OneDrive - Kleinfelder\Desktop\Cambridge Details\Raised Intersection Profile - Residential Street.dwg LAYOUT: Residential PLOTTED: 2/6/2020 9:57 AM BY: sam.huebschmann



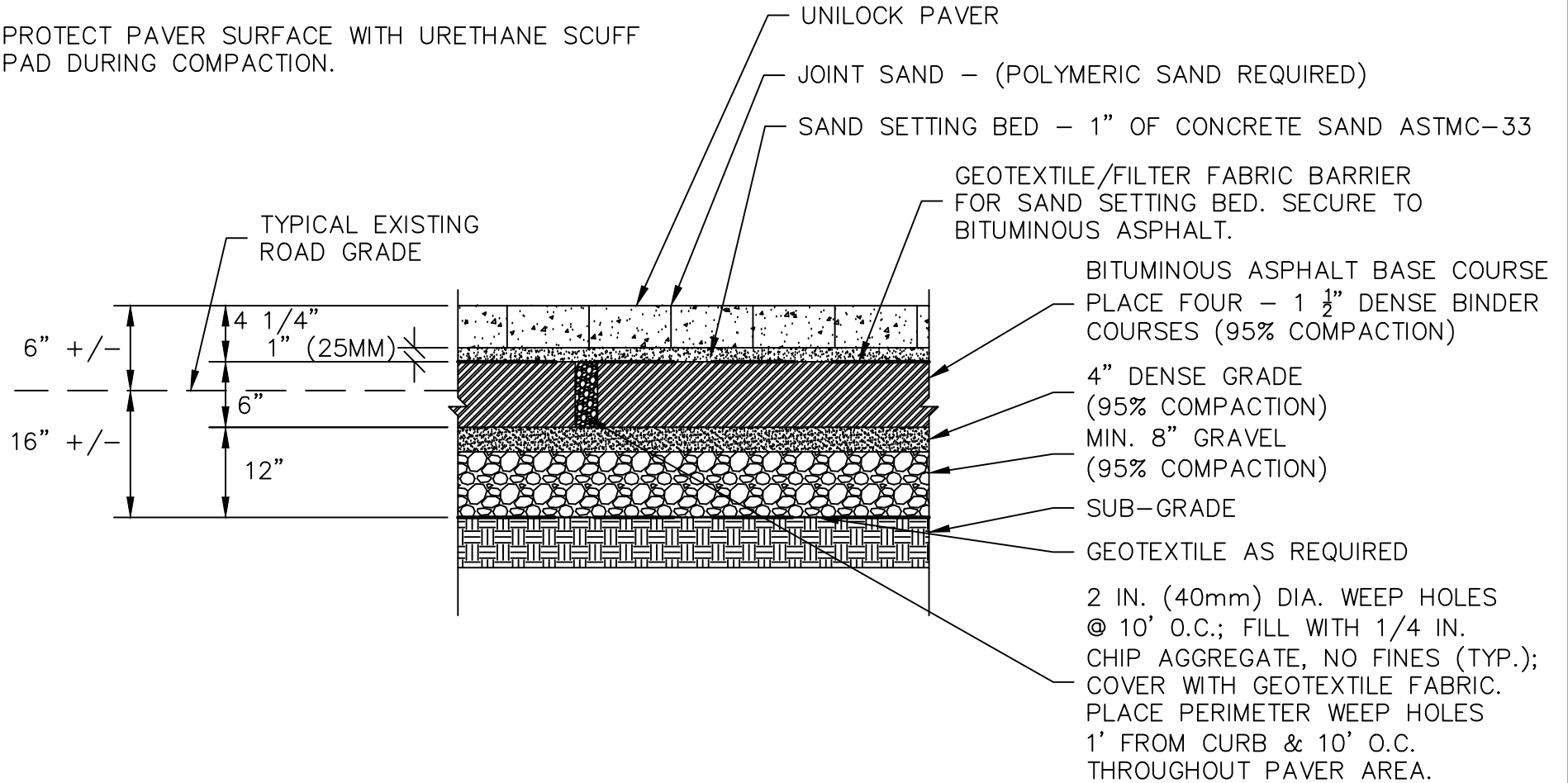
Scale	AS NOTED			
Date	JANUARY 2020			
Job No.				
Designed by	FMM			
Drawn by	SH			
Checked by	JM	No.	Description	Date
Approved by			REVISIONS	



Client	CITY OF CAMBRIDGE, MASSACHUSETTS	Sheet
Project	CITY OF CAMBRIDGE STANDARD DETAILS	
Drawing	RAISED INTERSECTION - PROFILE RESIDENTIAL STREET	File No.

NOTES:

1. WEEP HOLES TO BE CONSTRUCTED WITH 2" PVC SLEEVE OR EQUIVALENT. CONTRACTOR TO PREVENT CEMENT CONCRETE FROM COVERING THE WEEP HOLES.
2. PROTECT PAVER SURFACE WITH URETHANE SCUFF PAD DURING COMPACTION.



# RAISED INTERSECTION W/ PAVERS-RESIDENTIAL STREET

SCALE: N.T.S.



## RAISED INTERSECTION W/ PAVERS DETAIL - RESIDENTIAL STREET

CITY OF CAMBRIDGE STANDARD DETAILS

SCALE: N.T.S.

DATE OF ISSUE: 2/6

SPEC. SECTION REF#: