

NOTE:
 TREE TO BE PLANTED WITH EXPOSED ROOT FLARE 1"–3" ABOVE FINISHED GRADE AT CURB



LOCATING THE ROOT FLARE

CITY OF CAMBRIDGE STANDARD SPECIFICATIONS AND DETAILS

SCALE: NTS

DATE: JANUARY 2022
 OF ISSUE:

SPEC. SECTION REF#: 02910

1 OF 6

TREE CROWN AND TRUNK SHALL BE FREE OF DEFECTS AND TRUE TO FORM

TIE STRAPS FIRMLY AROUND TRUNK BUT STILL ALLOW MINOR TRUNK SWAY

ARBOR TIE OR OTHER WIDE, NON-ABRASIVE BELT STRAPPING

MULCH 2" DEPTH AT EDGE OF TREE WELL

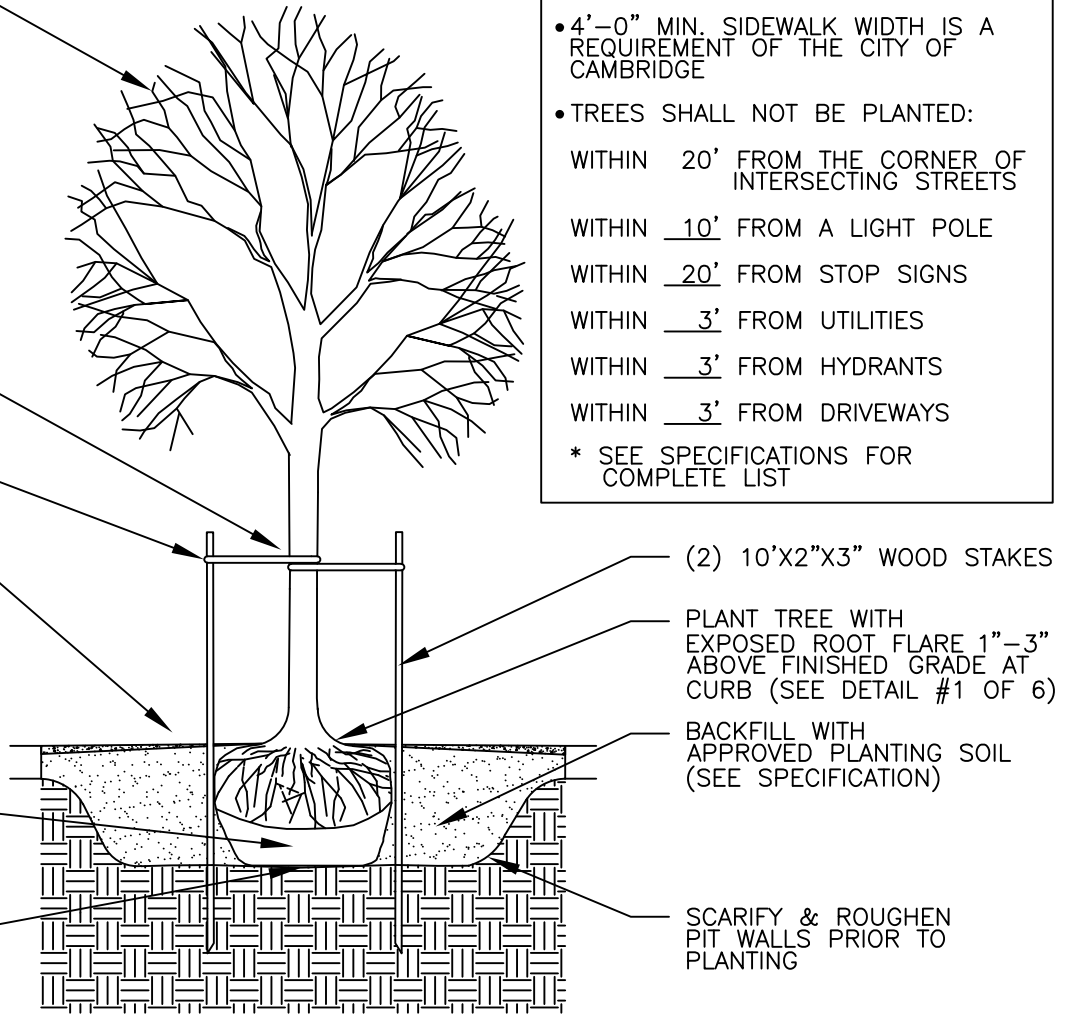
TAPER TO 0" AT ROOT FLARE

FOR BALLED AND BURLAP TREES, CUT AND REMOVE BURLAP AND WIRE BASKET

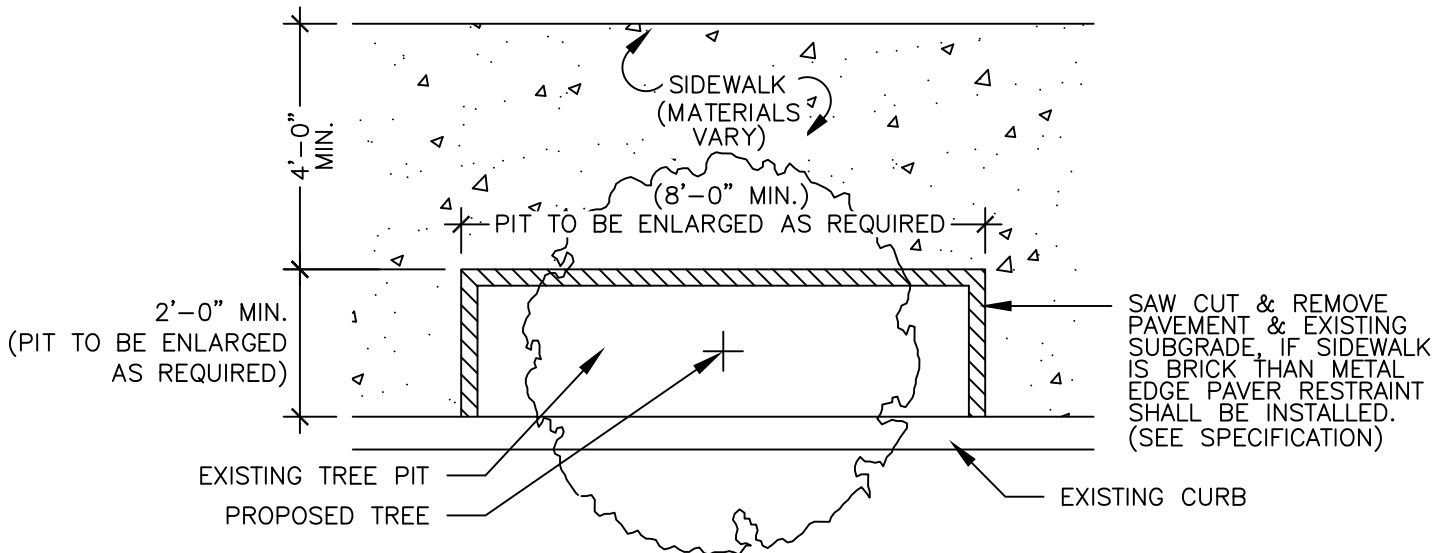
PLACE ROOT BALL ON COMPACTED OR UNDISTURBED SOIL

NOTES:

- 4'-0" MIN. SIDEWALK WIDTH IS A REQUIREMENT OF THE CITY OF CAMBRIDGE
- TREES SHALL NOT BE PLANTED:
 - WITHIN 20' FROM THE CORNER OF INTERSECTING STREETS
 - WITHIN 10' FROM A LIGHT POLE
 - WITHIN 20' FROM STOP SIGNS
 - WITHIN 3' FROM UTILITIES
 - WITHIN 3' FROM HYDRANTS
 - WITHIN 3' FROM DRIVEWAYS
- * SEE SPECIFICATIONS FOR COMPLETE LIST



SECTION



PLAN



TREE PLANTING DETAIL
(REPLACEMENT AT EXISTING TREE PIT)

CITY OF CAMBRIDGE STANDARD SPECIFICATIONS AND DETAILS

SCALE: NTS

DATE OF ISSUE: JANUARY 2022

SPEC. SECTION REF#: 02910

2 OF 6

TREE CROWN AND TRUNK SHALL BE FREE OF DEFECTS AND TRUE TO FORM

TIE STRAPS FIRMLY AROUND TRUNK BUT STILL ALLOW MINOR TRUNK SWAY

ARBOR TIE OR OTHER WIDE, NON-ABRASIVE BELT STRAPPING

MULCH 2" DEPTH AT EDGE OF TREE WELL

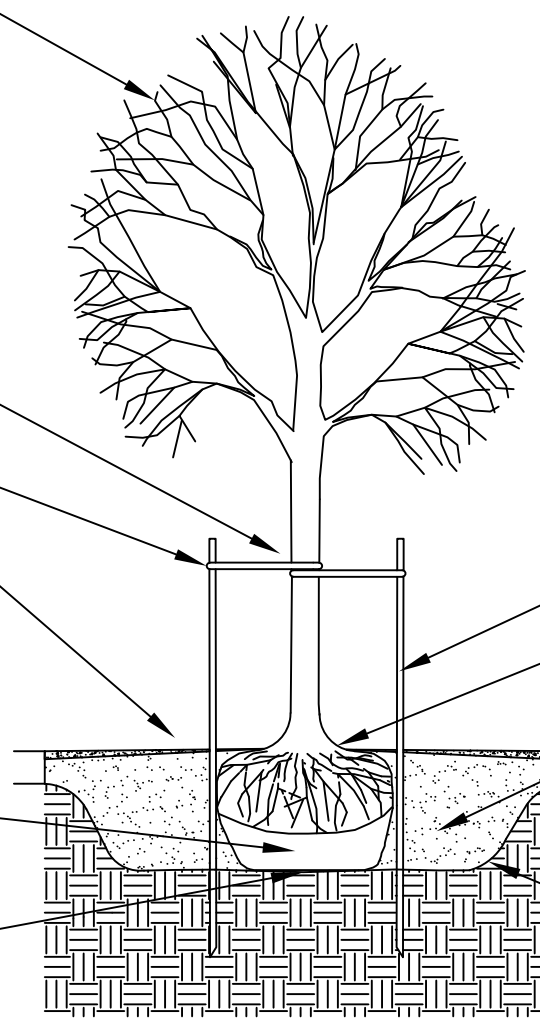
TAPER TO 0" AT ROOT FLARE

FOR BALLED AND BURLAP TREES, CUT AND REMOVE BURLAP AND WIRE BASKET

PLACE ROOT BALL ON COMPACTED OR UNDISTURBED SOIL

NOTES:

- 4'-0" MIN. SIDEWALK WIDTH IS A REQUIREMENT OF THE CITY OF CAMBRIDGE
- TREES SHALL NOT BE PLANTED:
 - WITHIN 20' FROM THE CORNER OF INTERSECTING STREETS
 - WITHIN 10' FROM A LIGHT POLE
 - WITHIN 20' FROM STOP SIGNS
 - WITHIN 3' FROM UTILITIES
 - WITHIN 3' FROM HYDRANTS
 - WITHIN 3' FROM DRIVEWAYS
- * SEE SPECIFICATIONS FOR COMPLETE LIST



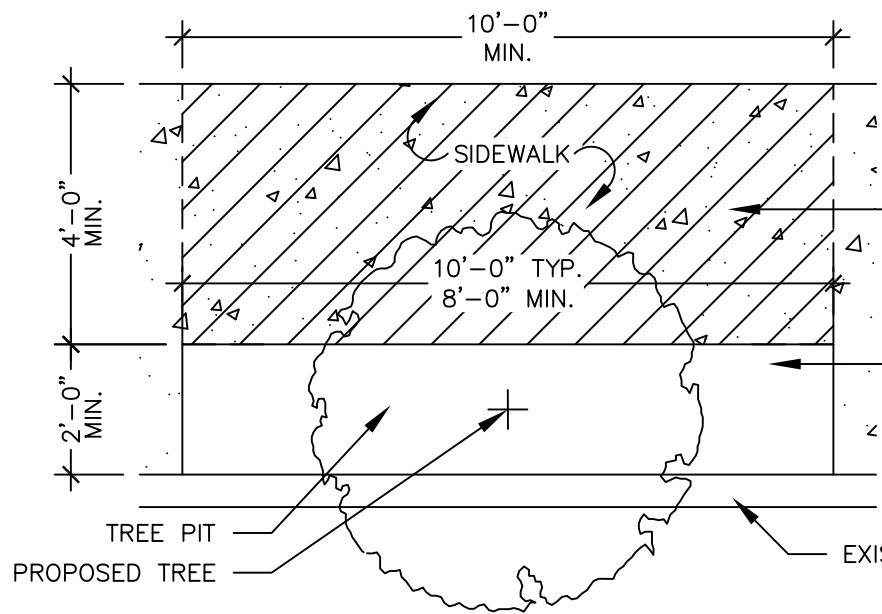
(2) 10'X2'X3" WOOD STAKES

PLANT TREE WITH EXPOSED ROOT FLARE 1"-3" ABOVE FINISHED GRADE AT CURB (SEE DETAIL #1 OF 6)

BACKFILL WITH APPROVED PLANTING SOIL (SEE SPECIFICATION)

SCARIFY & ROUGHEN PIT WALLS PRIOR TO PLANTING

SECTION



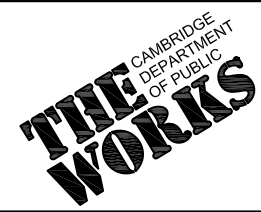
SAND-BASED STRUCTURAL PLANTING MEDIUM, 2'-6" DEPTH (SEE SPECIFICATIONS)

METAL EDGE PAVER RESTRAINT REQUIRED FOR BRICK SIDEWALKS (SEE SPECIFICATIONS)

TREE PIT
PROPOSED TREE

EXISTING CURB

PLAN



**TREE PLANTING DETAIL
(6' SIDEWALK WIDTH)**

CITY OF CAMBRIDGE STANDARD SPECIFICATIONS AND DETAILS

SCALE: NTS

DATE OF ISSUE: JANUARY 2022

SPEC. SECTION REF#: 02910

3 OF 6

TREE CROWN AND TRUNK SHALL BE FREE OF DEFECTS AND TRUE TO FORM

TIE STRAPS FIRMLY AROUND TRUNK BUT STILL ALLOW MINOR TRUNK SWAY

ARBOR TIE OR OTHER WIDE, NON-ABRASIVE BELT STRAPPING

MULCH 2" DEPTH AT EDGE OF TREE WELL

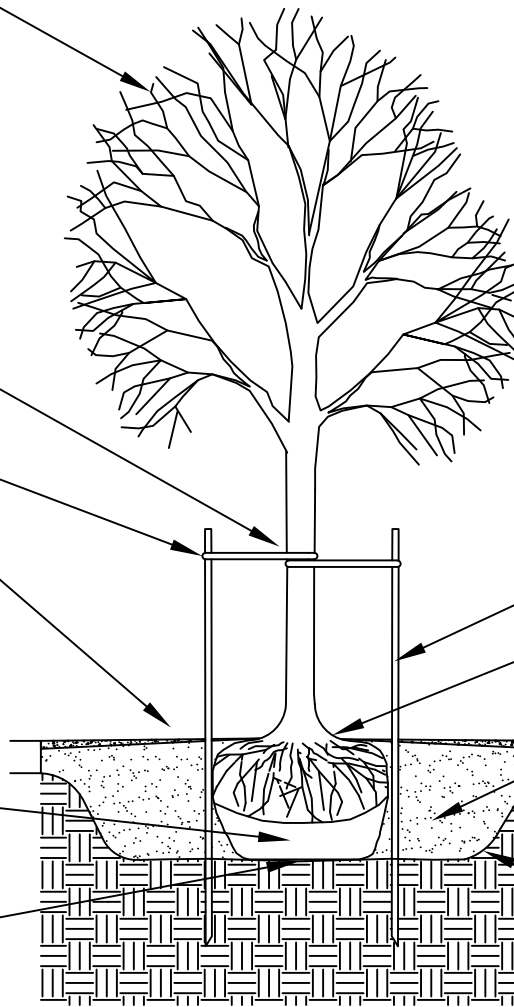
TAPER TO 0" AT ROOT FLARE

FOR BALLED AND BURLAP TREES, CUT AND REMOVE BURLAP AND WIRE BASKET

PLACE ROOT BALL ON COMPACTED OR UNDISTURBED SOIL

NOTES:

- 4'-0" MIN. SIDEWALK WIDTH IS A REQUIREMENT OF THE CITY OF CAMBRIDGE
- TREES SHALL NOT BE PLANTED:
 - WITHIN 20' FROM THE CORNER OF INTERSECTING STREETS
 - WITHIN 10' FROM A LIGHT POLE
 - WITHIN 20' FROM STOP SIGNS
 - WITHIN 3' FROM UTILITIES
 - WITHIN 3' FROM HYDRANTS
 - WITHIN 3' FROM DRIVEWAYS
- * SEE SPECIFICATIONS FOR COMPLETE LIST



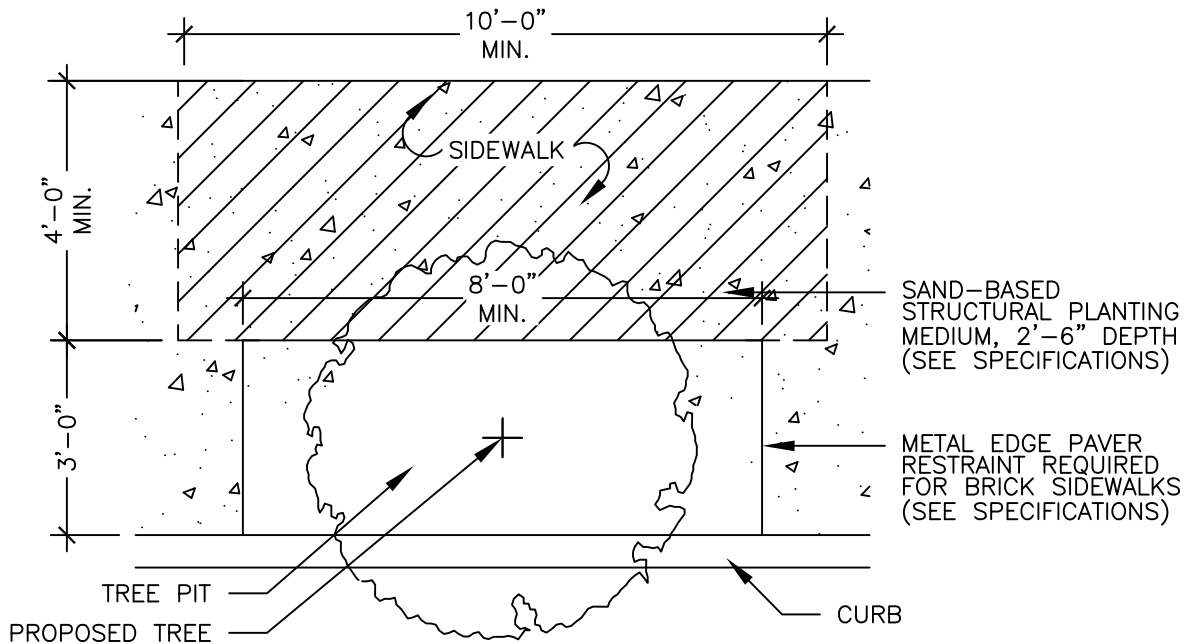
(2) 10'X2"X3" WOOD STAKES

PLANT TREE WITH EXPOSED ROOT FLARE 1"-3" ABOVE FINISHED GRADE AT CURB (SEE DETAIL #1 OF 6)

BACKFILL WITH APPROVED PLANTING SOIL (SEE SPECIFICATION)

SCARIFY & ROUGHEN PIT WALLS PRIOR TO PLANTING

SECTION



SAND-BASED STRUCTURAL PLANTING MEDIUM, 2'-6" DEPTH (SEE SPECIFICATIONS)

METAL EDGE PAVER RESTRAINT REQUIRED FOR BRICK SIDEWALKS (SEE SPECIFICATIONS)

PLAN



TREE PLANTING DETAIL
(7' SIDEWALK WIDTH)

CITY OF CAMBRIDGE STANDARD SPECIFICATIONS AND DETAILS

SCALE: NTS

DATE OF ISSUE: JANUARY 2022

SPEC. SECTION REF#: 02910

4 OF 6

TREE CROWN AND TRUNK SHALL BE FREE OF DEFECTS AND TRUE TO FORM

TIE STRAPS FIRMLY AROUND TRUNK BUT STILL ALLOW MINOR TRUNK SWAY

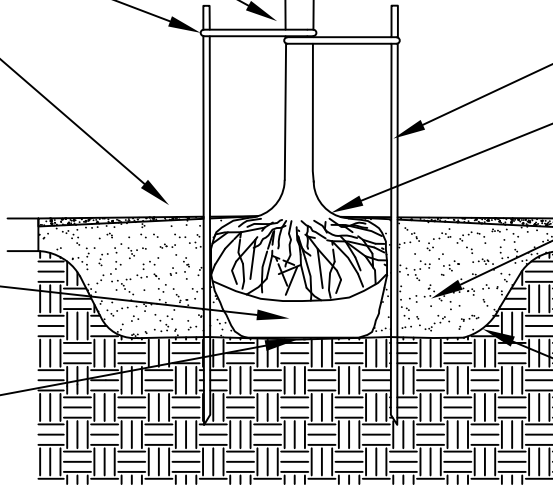
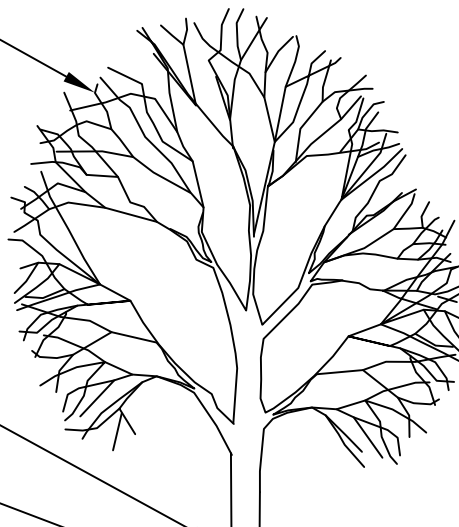
ARBOR TIE OR OTHER WIDE, NON-ABRASIVE BELT STRAPPING

MULCH 2" DEPTH AT EDGE OF TREE WELL

TAPER TO 0" AT ROOT FLARE

FOR BALLED AND BURLAP TREES, CUT AND REMOVE BURLAP AND WIRE BASKET

PLACE ROOT BALL ON COMPACTED OR UNDISTURBED SOIL



(2) 10'X2"X3" WOOD STAKES

PLANT TREE WITH EXPOSED ROOT FLARE 1"-3" ABOVE FINISHED GRADE AT CURB (SEE DETAIL #1 OF 6)

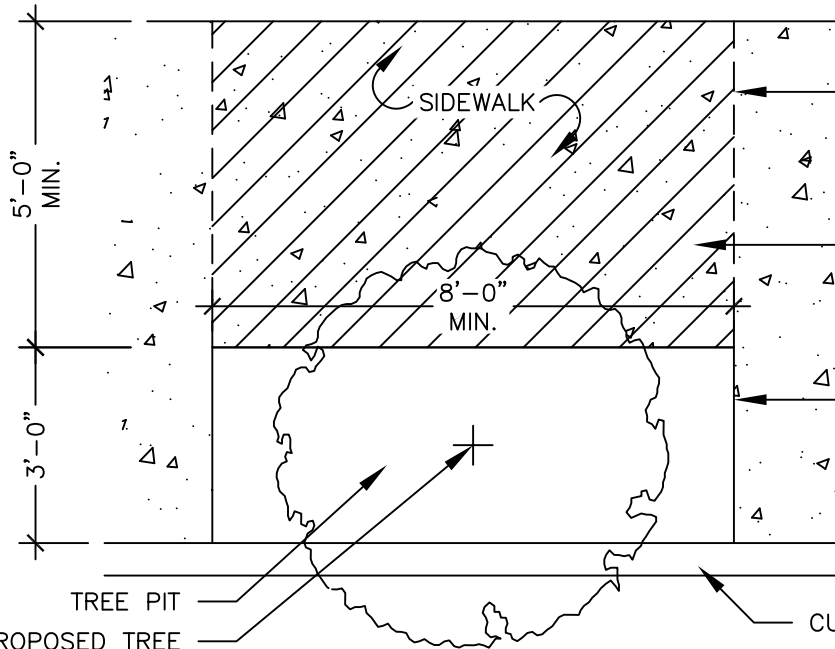
BACKFILL WITH APPROVED PLANTING SOIL (SEE SPECIFICATION)

SCARIFY & ROUGHEN PIT WALLS PRIOR TO PLANTING

NOTES:

- 4'-0" MIN. SIDEWALK WIDTH IS A REQUIREMENT OF THE CITY OF CAMBRIDGE
- TREES SHALL NOT BE PLANTED:
 - WITHIN 20' FROM THE CORNER OF INTERSECTING STREETS
 - WITHIN 10' FROM A LIGHT POLE
 - WITHIN 20' FROM STOP SIGNS
 - WITHIN 3' FROM UTILITIES
 - WITHIN 3' FROM HYDRANTS
 - WITHIN 3' FROM DRIVEWAYS
- * SEE SPECIFICATIONS FOR COMPLETE LIST

SECTION



LIMITS OF STRUCTURAL PLANTING MEDIUM ALIGNED WITH EDGES OF TREE PIT

SAND-BASED STRUCTURAL PLANTING MEDIUM, 2'-6" DEPTH (SEE SPECIFICATIONS)

METAL EDGE PAVER RESTRAINT REQUIRED FOR BRICK SIDEWALK (SEE SPECIFICATIONS)

PLAN



**TREE PLANTING DETAIL
(8' SIDEWALK WIDTH)**

CITY OF CAMBRIDGE STANDARD SPECIFICATIONS AND DETAILS

SCALE: NTS	DATE OF ISSUE: JANUARY 2022	SPEC. SECTION REF#: 02910	# 5 OF 6
------------	-----------------------------	---------------------------	----------

TREE CROWN AND TRUNK SHALL BE FREE OF DEFECTS AND TRUE TO FORM

TIE STRAPS FIRMLY AROUND TRUNK BUT STILL ALLOW MINOR TRUNK SWAY

ARBOR TIE OR OTHER WIDE, NON-ABRASIVE BELT STRAPPING

MULCH 2" DEPTH AT EDGE OF TREE WELL

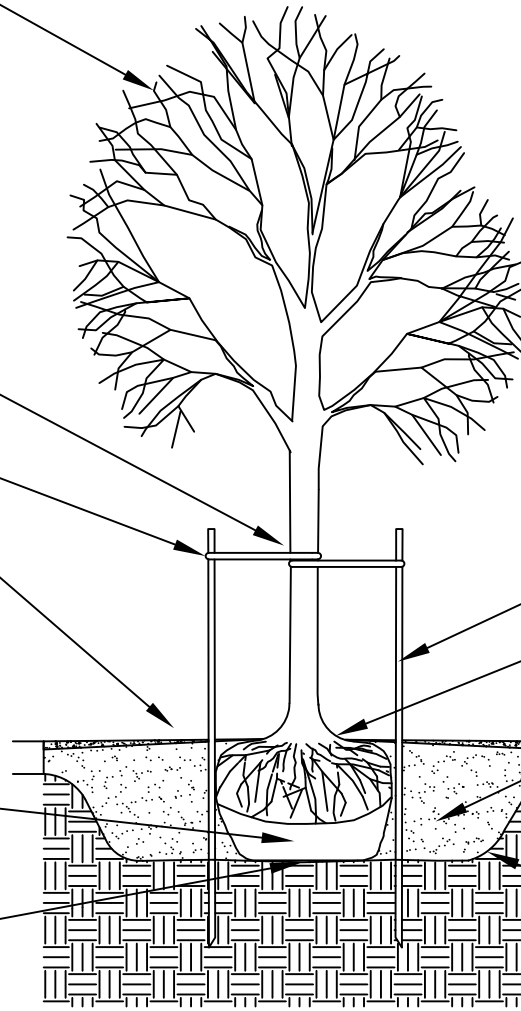
TAPER TO 0" AT ROOT FLARE

FOR BALLED AND BURLAP TREES, CUT AND REMOVE BURLAP AND WIRE BASKET

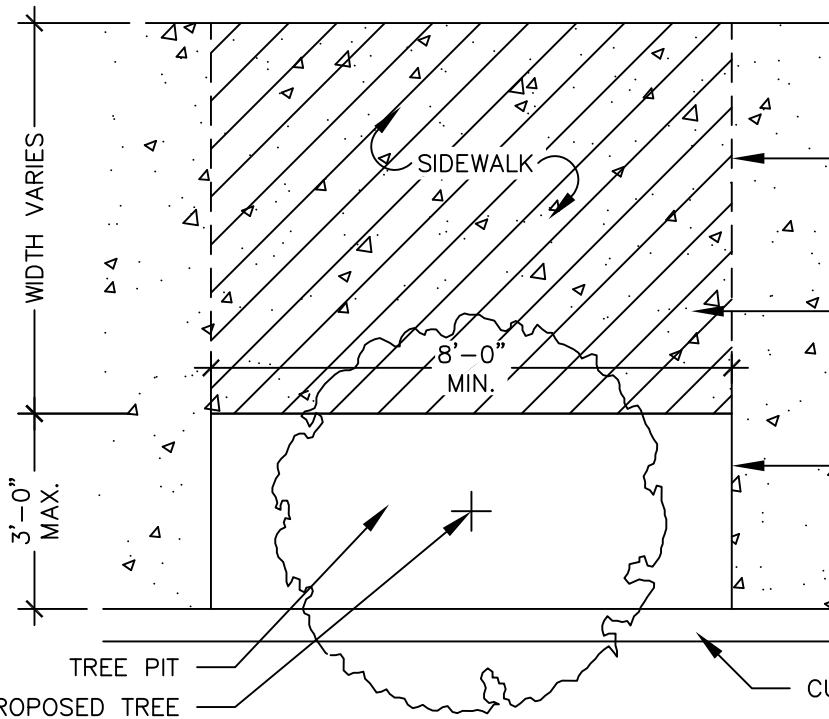
PLACE ROOT BALL ON COMPACTED OR UNDISTURBED SOIL

NOTES:

- 4'-0" MIN. SIDEWALK WIDTH IS A REQUIREMENT OF THE CITY OF CAMBRIDGE
- TREES SHALL NOT BE PLANTED:
 - WITHIN 20' FROM THE CORNER OF INTERSECTING STREETS
 - WITHIN 10' FROM A LIGHT POLE
 - WITHIN 20' FROM STOP SIGNS
 - WITHIN 3' FROM UTILITIES
 - WITHIN 3' FROM HYDRANTS
 - WITHIN 3' FROM DRIVEWAYS
- * SEE SPECIFICATIONS FOR COMPLETE LIST



SECTION



LIMITS OF STRUCTURAL PLANTING MEDIUM ALIGNED WITH EDGES OF TREE PIT

SAND-BASED STRUCTURAL PLANTING MEDIUM, 2'-6" DEPTH (SEE SPECIFICATIONS)

METAL EDGE PAVER RESTRAINT REQUIRED FOR BRICK SIDEWALKS (SEE SPECIFICATIONS)

PLAN



**TREE PLANTING DETAIL
(>8' SIDEWALK WIDTH)**

CITY OF CAMBRIDGE STANDARD SPECIFICATIONS AND DETAILS

SCALE: NTS

DATE OF ISSUE: JANUARY 2022

SPEC. SECTION REF#: 02910

6 OF 6